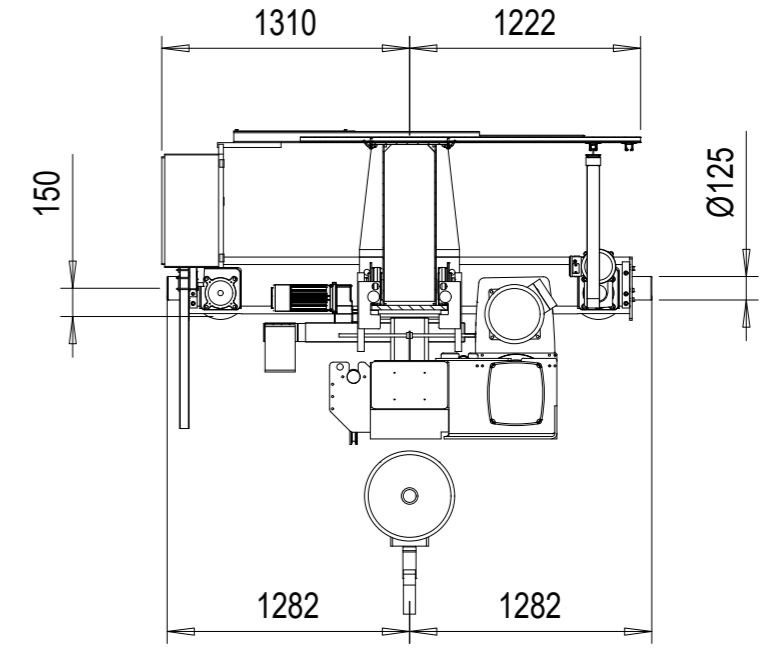
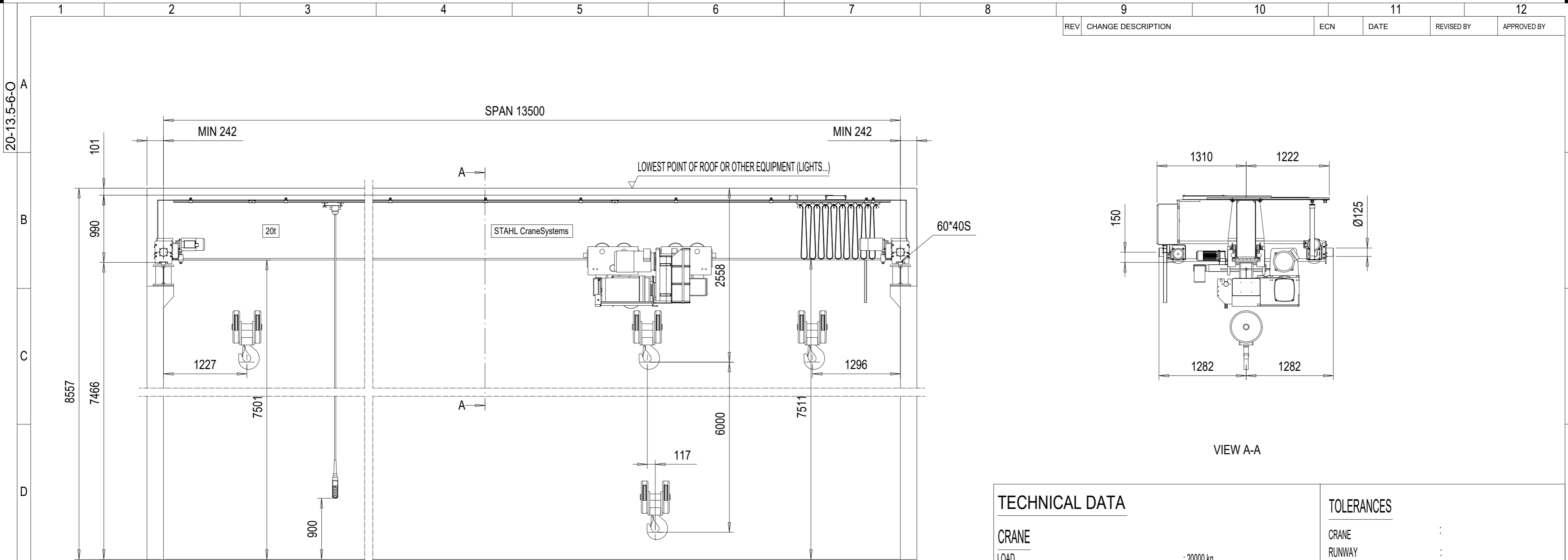


| REV | CHANGE DESCRIPTION | ECN | DATE | REVISED BY | APPROVED BY |
|-----|--------------------|-----|------|------------|-------------|
|-----|--------------------|-----|------|------------|-------------|



VIEW A-A

TECHNICAL DATA

CRANE

| | |
|----------------------|-----------------------------------|
| LOAD | : 20000 kg |
| SPAN | : 13.5 m |
| LIFTING HEIGHT | : 6 m |
| TRAVELLING SPEED | : 40/10 m/min 2-speed pole change |
| WEIGHT OF BRIDGE | : 4310 kg |
| TOTAL WEIGHT | : 6720 kg |
| CRANE CLASSIFICATION | : U4/Q2, EN13001-1 |
| CRANE DRIVE GROUP | : 25 m (D_lin6) / M5 |
| LENGTH OF RUNWAY | : 50 m |

HOIST

| | |
|-------------------|----------------------------------|
| HOISTING SPEED | : 4/0.67 m/min 2-speed |
| TRAVERSING SPEED | : 20/5 m/min 2-speed pole change |
| WEIGHT OF TROLLEY | : 2410 kg |
| HOIST GROUP | : 3,0 + 3,0 m (D_lin4) / ISO M5 |

ELECTRICAL EQUIPMENT

| | |
|----------------------|---------------------|
| MAIN/CONTROL VOLTAGE | : 380 / 48 V; 50 Hz |
| SUPPLY POWER | : 17.7 kW |

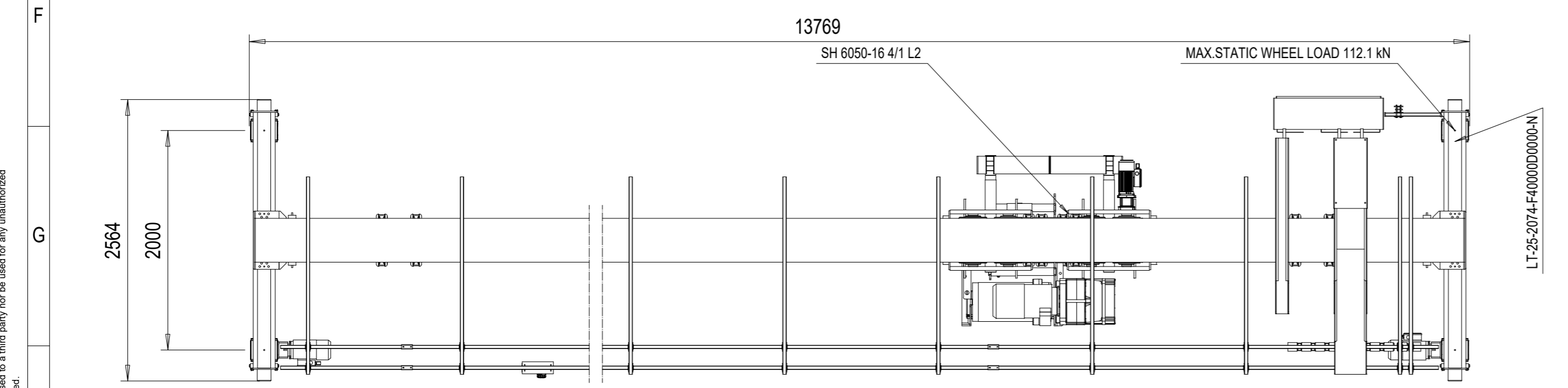
TOLERANCES

| | |
|--------|---|
| CRANE | : |
| RUNWAY | : |

USE OF CRANE

: Indoor Use crane -10° ... 40° C
 CUSTOMER ORGANIZES SAFE PLATFORM FOR CRANE SERVICE

Project sketch - for information only
 Subject to changes without prior notice
 Projektskizze - Änderungen vorbehalten



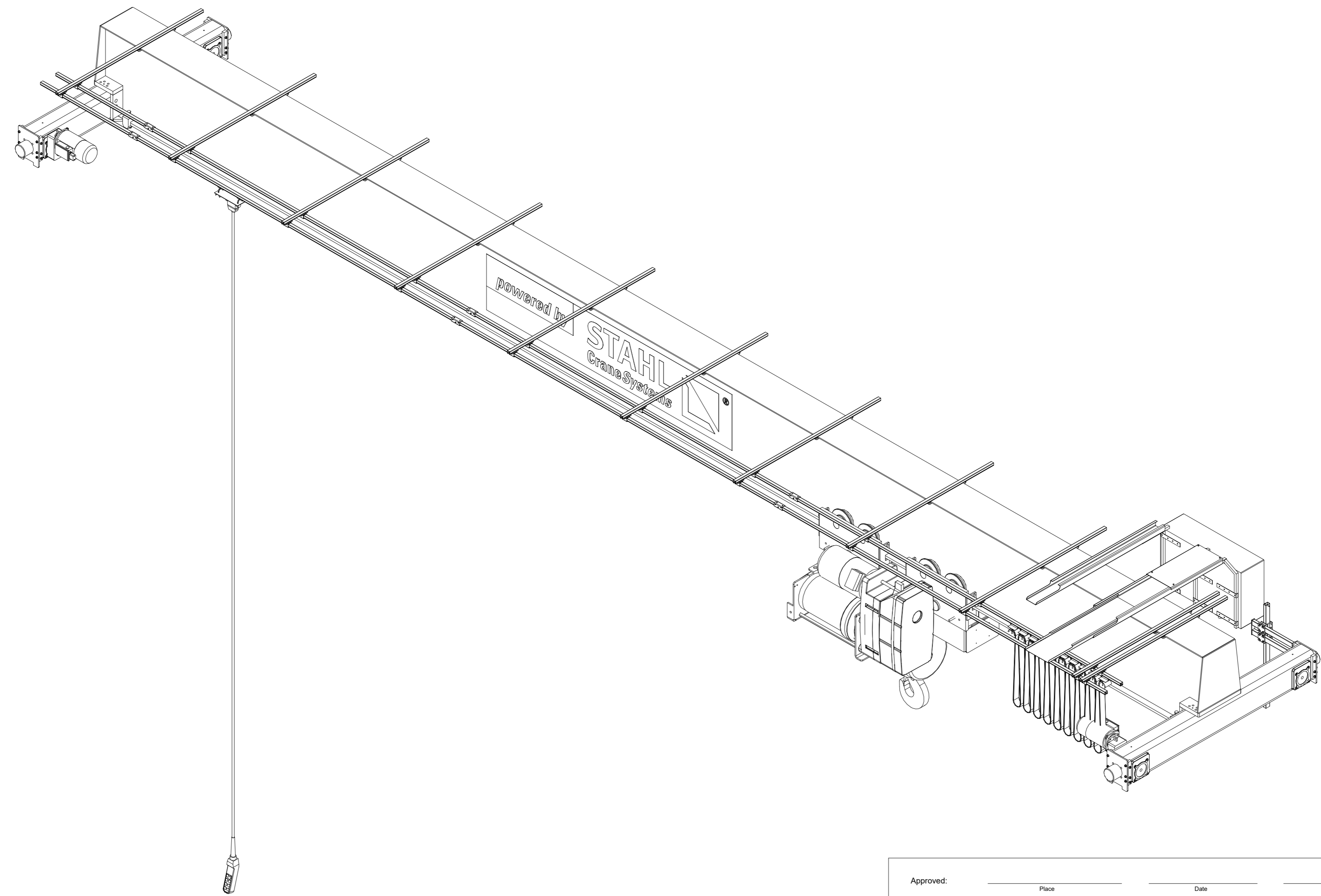
Note! Additional options can affect weights and dimensions of some components.

| | | | |
|------------|---------------------------|---|-------------------------|
| Approved: | Place | Date | Company (Company stamp) |
| Customer | | | |
| | Free size tolerance | Quotation No. | Version DAS |
| | Material | Order No. | NSL |
| | | Reproduction and transmission to third parties is not permitted We reserve all rights under copyright for this drawing | TCHAR |
| | | SHS20t x 13.5m Hol:6m | Scale |
| | | | 1:40 |
| Company: | STEPHAN CraneSystems GmbH | | Copy to |
| Drawn by | Datum | Name | |
| 05.12.2018 | DMA/XRS | | |
| Checked by | | | |
| Released | | | |
| Issue | N/a | Replaced by | |

This document is the absolute property of STEPHAN CraneSystems GmbH. This document must not be copied without the written permission of STEPHAN CraneSystems GmbH or its parent company STAHL CraneSystems GmbH. The contents thereof must not be disclosed to a third party nor be used for any unauthorized purpose. Contravention will be prosecuted.

| REV | CHANGE DESCRIPTION | ECN | DATE | REVISED BY | APPROVED BY |
|-----|--------------------|-----|------|------------|-------------|
|-----|--------------------|-----|------|------------|-------------|

20-13.5-6-O-I



This document is the absolute property of STEPHAN CraneSystems GmbH. This document must not be copied without the written permission of STEPHAN CraneSystems GmbH or its parent company STAHL CraneSystems GmbH. The contents thereof must not be disclosed to a third party nor be used for any unauthorized purpose. Contravention will be prosecuted.

| | | | | | | | |
|------------------------------------|--|---------------------|--|---|--|-------------------------------|--|
| Approved: _____ | | Place _____ | | Date _____ | | Company (Company stamp) _____ | |
| Customer | | Free size tolerance | | Quotation No. | | Version DAS | |
| | | Material | | Order No. | | NSL | |
| | | | | Reproduction and transmission to third parties is not permitted | | TCHAR | |
| | | | | We reserve all rights under copyright for this drawing | | Scale | |
| SHS20t x 13.5m Hol:6m | | 1:40 | | Copy to | | | |
| Company: STEPHAN CraneSystems GmbH | | Datum | | Name | | 20-13.5-6-O-I | |
| Issue | | N/a | | Released | | Replaced by | |