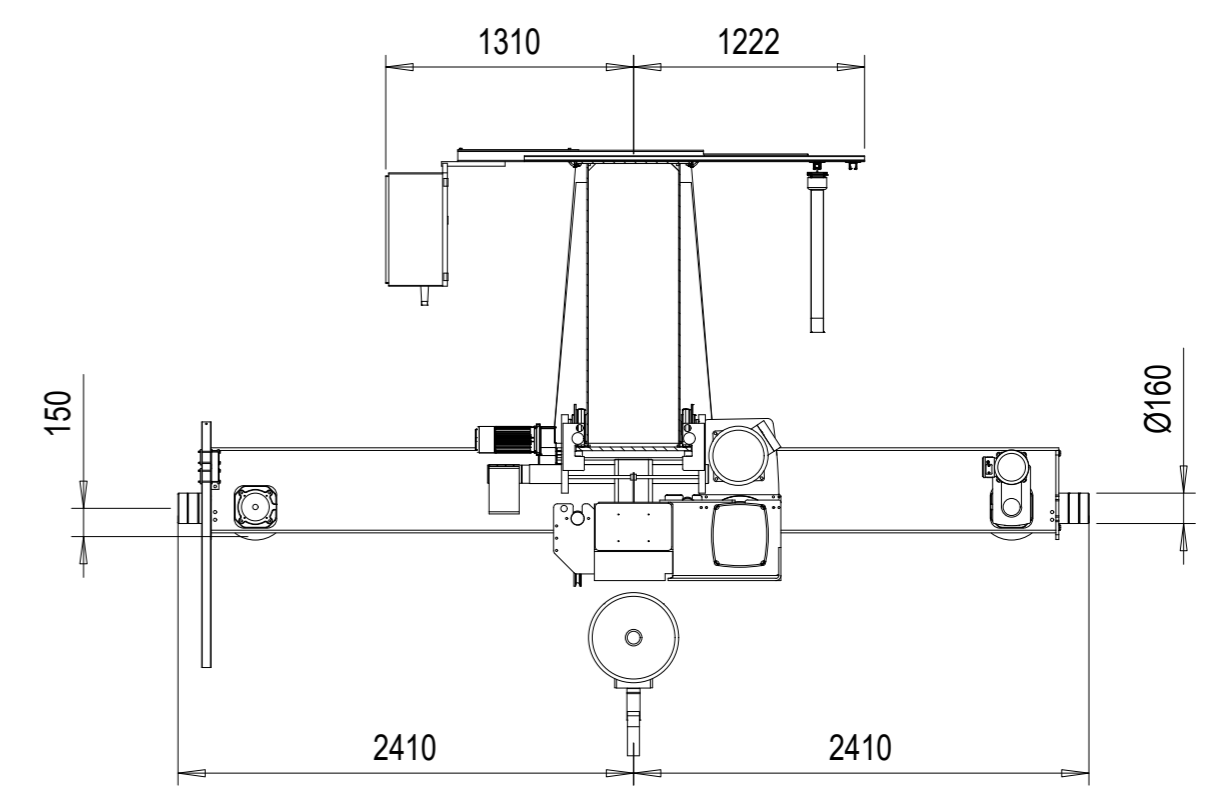


REV	CHANGE DESCRIPTION	ECN	DATE	REVISED BY	APPROVED BY



VIEW A-A

TECHNICAL DATA

CRANE	
LOAD	: 20000 kg
SPAN	: 28.5 m
LIFTING HEIGHT	: 6 m
TRAVELLING SPEED	: 40/10 m/min 2-speed pole change
WEIGHT OF BRIDGE	: 11840 kg
TOTAL WEIGHT	: 14240 kg
CRANE CLASSIFICATION	: U4/Q2, EN13001-1
CRANE DRIVE GROUP	: 25 m (D_lin6) / M5
LENGTH OF RUNWAY	: 50 m
HOIST	
HOISTING SPEED	: 4/0.67 m/min 2-speed
TRAVERSING SPEED	: 20/5 m/min 2-speed pole change
WEIGHT OF TROLLEY	: 2410 kg
HOIST GROUP	: 3,0 + 3,0 m (D_lin4) / ISO M5
ELECTRICAL EQUIPMENT	
MAIN/CONTROL VOLTAGE	: 380 / 48 V; 50 Hz
SUPPLY POWER	: 18.6 kW

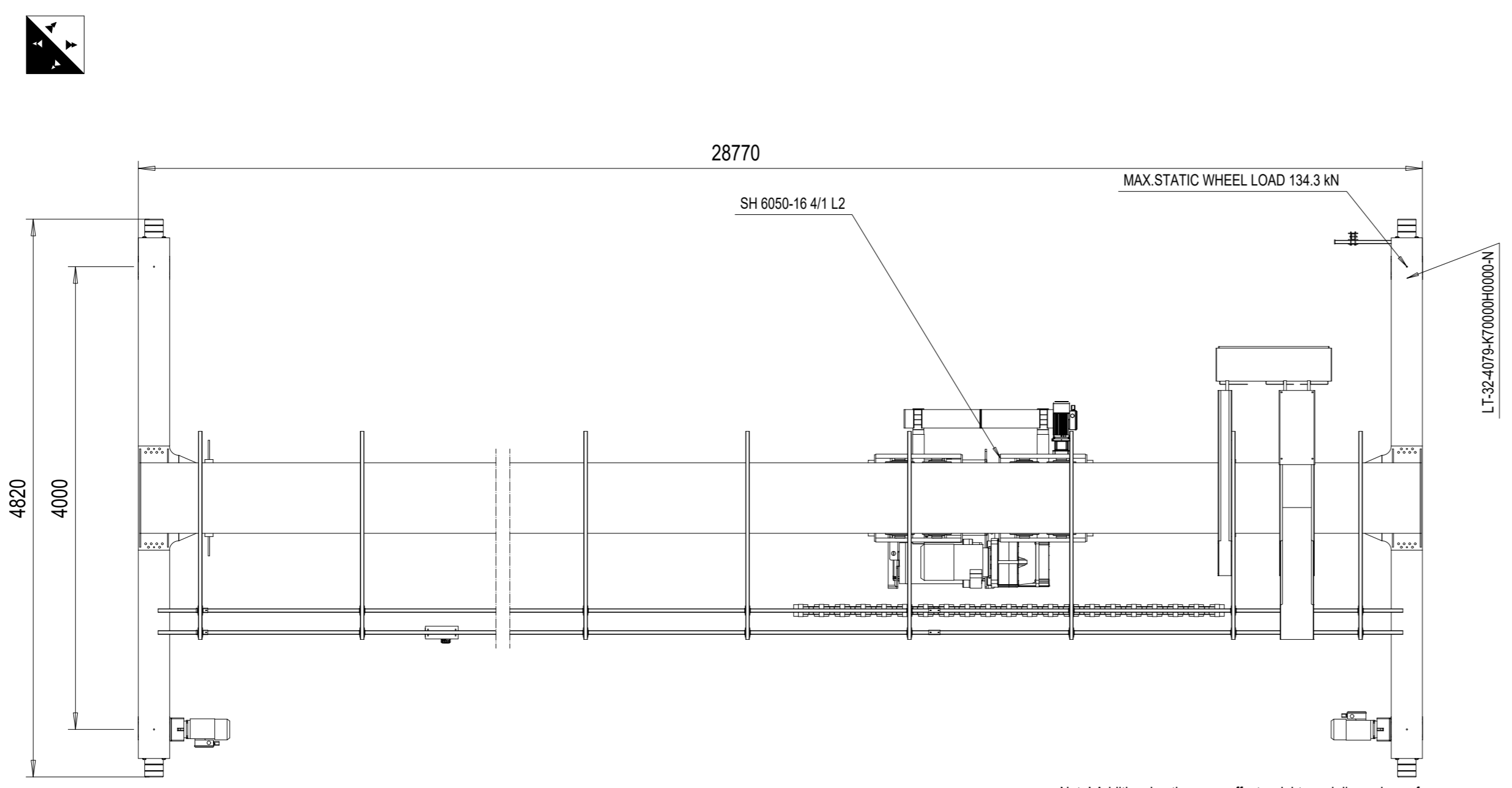
TOLERANCES

CRANE	:
RUNWAY	:

USE OF CRANE

: Indoor Use crane -10° ... 40° C
 CUSTOMER ORGANIZES SAFE
 PLATFORM FOR CRANE SERVICE

Project sketch - for information only
 Subject to changes without prior notice
 Projektskizze - Änderungen vorbehalten



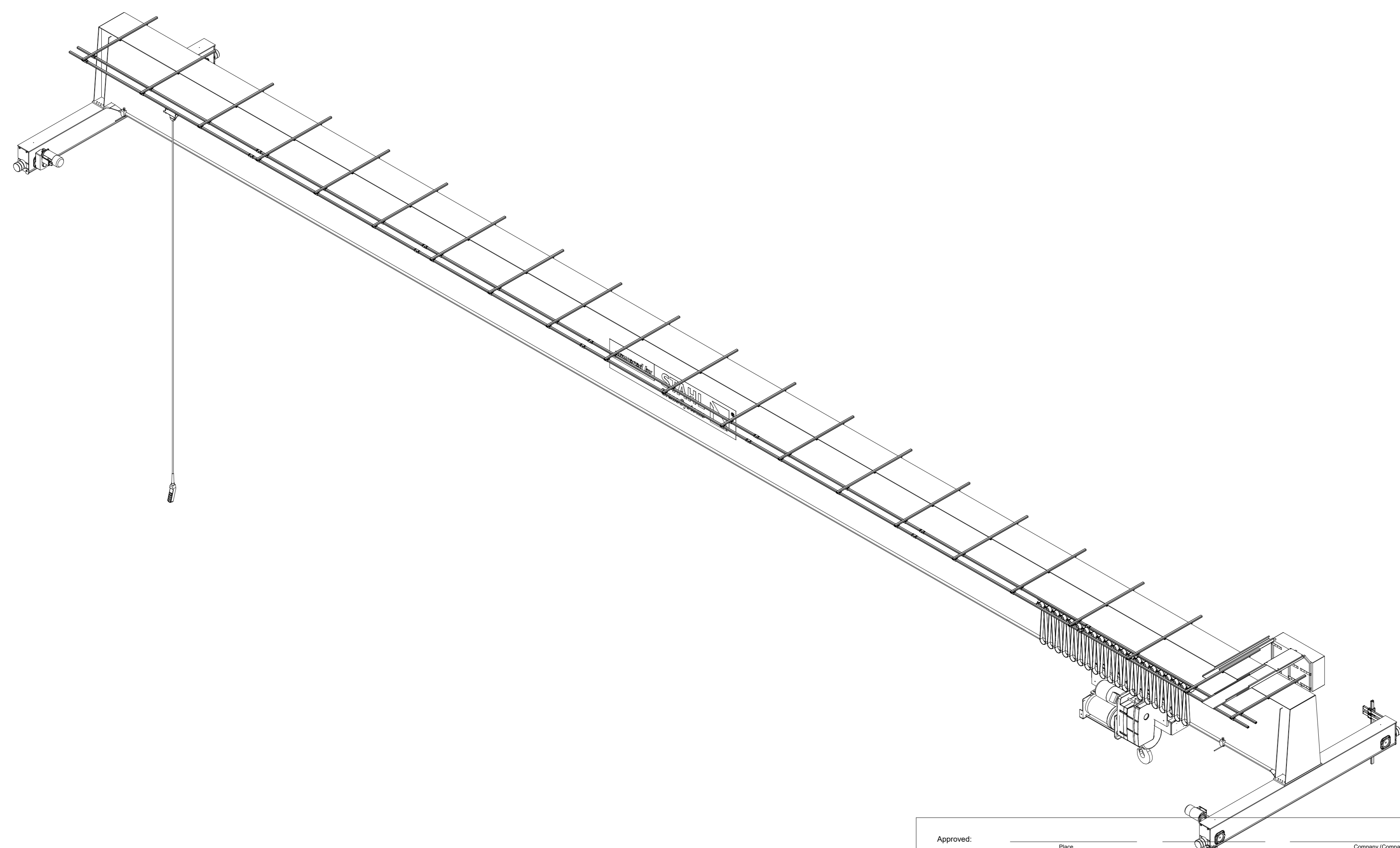
Note! Additional options can affect weights and dimensions of some components.

Approved:	Place	Date	Company (Company stamp)
Customer			
	Free size tolerance	Quotation No.	Version DAS
	Material	Order No.	NSL
		Reproduction and transmission to third parties is not permitted We reserve all rights under copyright for this drawing	
		SHS20t x 28.5m Hol:6m	
		Scale	
		1:40	
		Copy to	
Company:	STEPHAN CraneSystems GmbH		
Drawn by	Datum	Name	
05.12.2018	DMA/XRS		
Checked by			
Issue	N/a	Released	
		Replaced by	
		20-28.5-6-O	

This document is the absolute property of STEPHAN CraneSystems GmbH. This document must not be copied without the written permission of STEPHAN CraneSystems GmbH or its parent company STAHL CraneSystems GmbH. The contents thereof must not be disclosed to a third party nor be used for any unauthorized purpose. Contravention will be prosecuted.

REV	CHANGE DESCRIPTION	ECN	DATE	REVISED BY	APPROVED BY
-----	--------------------	-----	------	------------	-------------

20-28.5-6-O-I



This document is the absolute property of STEPHAN CraneSystems GmbH. This document must not be copied without the written permission of STEPHAN CraneSystems GmbH or its parent company STAHl CraneSystems GmbH. The contents thereof must not be disclosed to a third party nor be used for any unauthorized purpose. Contravention will be prosecuted.

Approved: _____ Place _____		Customer _____ Company (Company stamp) _____	
	Free size tolerance	Quotation No.	Version DAS
	Material	Order No.	NSL
Company: STEPHAN CraneSystems GmbH		Reproduction and transmission to third parties is not permitted We reserve all rights under copyright for this drawing	
		SHS20t x 28.5m Hol:6m	
		Scale	
		1:40	
		Copy to	
		20-28.5-6-O-I	
Issue	N/a	Released	Replaced by