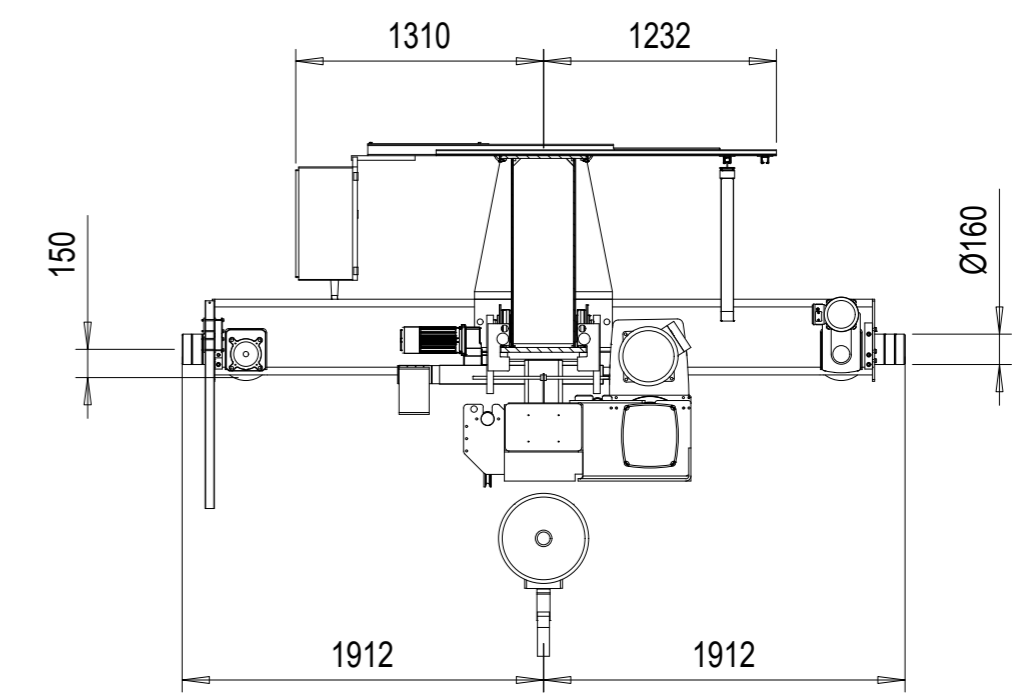
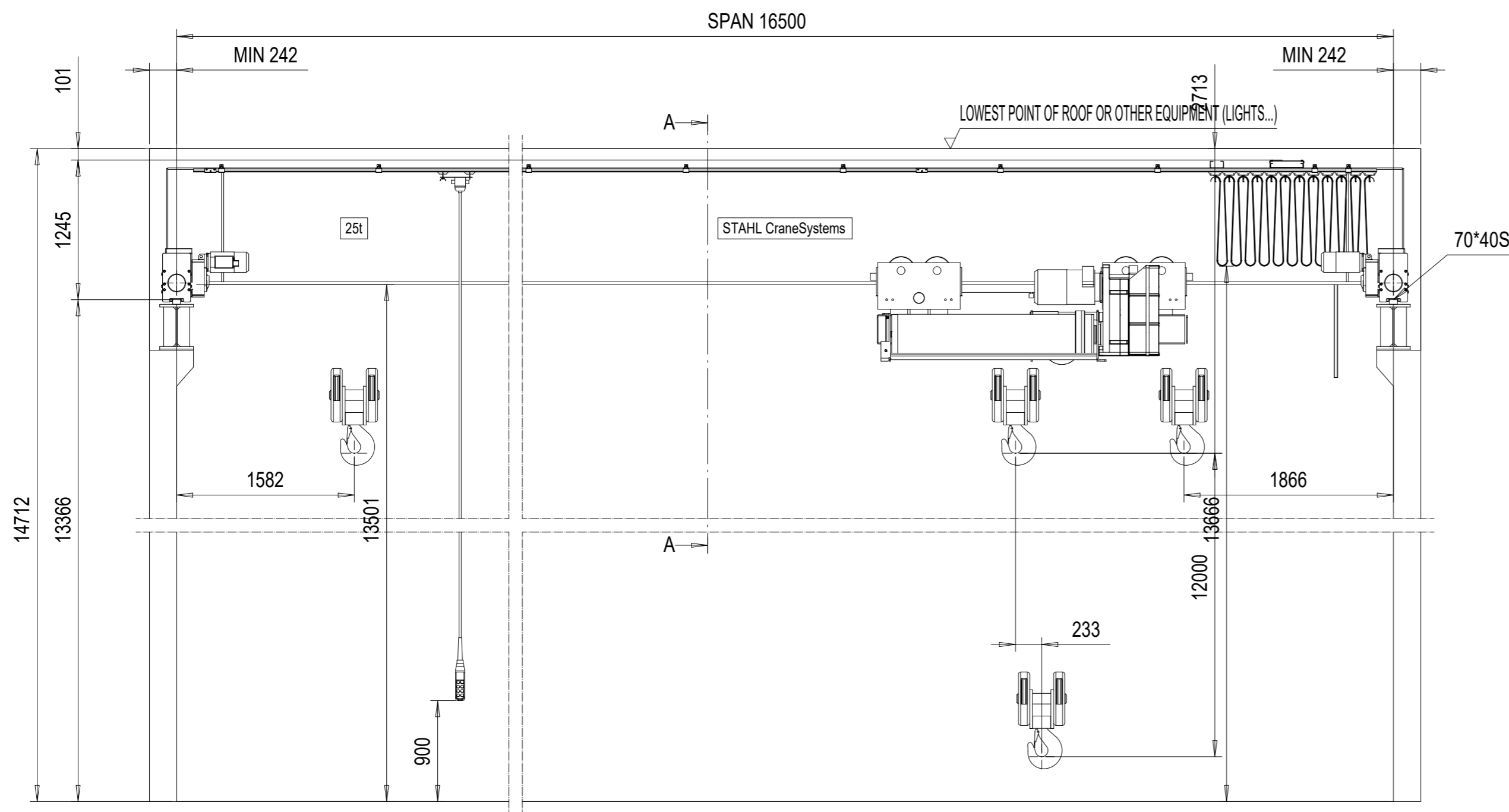


REV	CHANGE DESCRIPTION	ECN	DATE	REVISED BY	APPROVED BY
-----	--------------------	-----	------	------------	-------------

25-16.6-12-O



VIEW A-A

**TECHNICAL DATA**

<b>CRANE</b>	
LOAD	: 25000 kg
SPAN	: 16.5 m
LIFTING HEIGHT	: 12 m
TRAVELLING SPEED	: 40/10 m/min 2-speed pole change
WEIGHT OF BRIDGE	: 6310 kg
TOTAL WEIGHT	: 9500 kg
CRANE CLASSIFICATION	: U4/Q2, EN13001-1
CRANE DRIVE GROUP	: 25 m (D_lin6) / M5
LENGTH OF RUNWAY	: 50 m
<b>HOIST</b>	
HOISTING SPEED	: 3.1/0.52 m/min 2-speed
TRAVERSING SPEED	: 20/5 m/min 2-speed pole change
WEIGHT OF TROLLEY	: 3190 kg
HOIST GROUP	: 3,0 + 3,0 m (D_lin4) / ISO M4
<b>ELECTRICAL EQUIPMENT</b>	
MAIN/CONTROL VOLTAGE	: 380 / 48 V; 50 Hz
SUPPLY POWER	: 18.6 kW

**TOLERANCES**

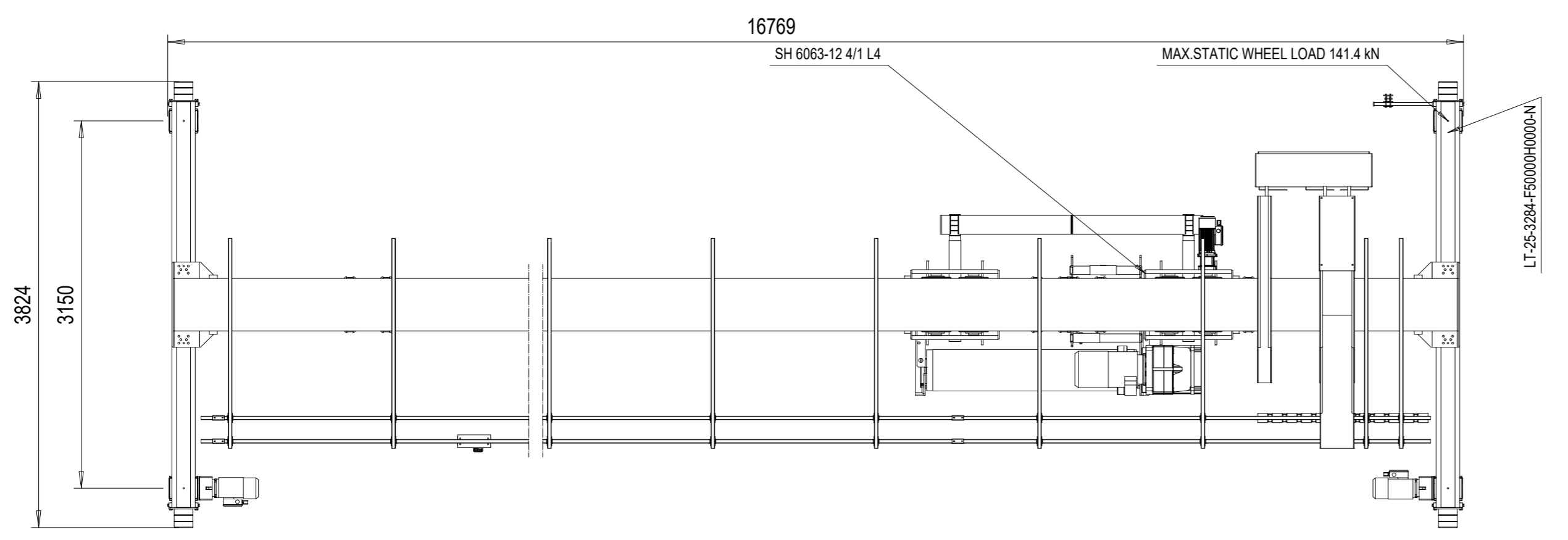
CRANE	:
RUNWAY	:

**USE OF CRANE**

: Indoor Use crane -10° ...40° C

CUSTOMER ORGANIZES SAFE PLATFORM FOR CRANE SERVICE

Project sketch - for information only  
 Subject to changes without prior notice  
 Projektskizze - Änderungen vorbehalten



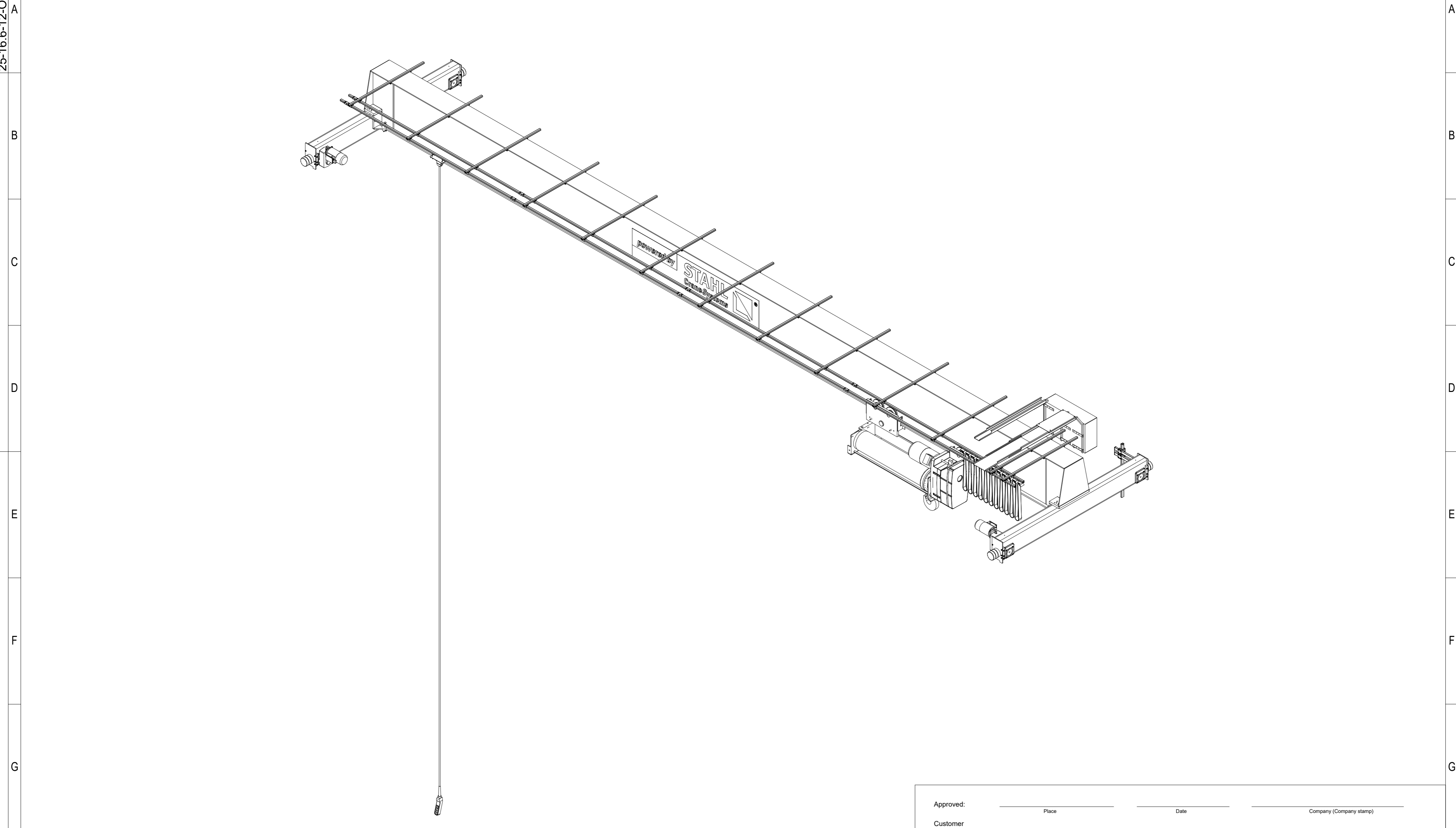
Note! Additional options can affect weights and dimensions of some components.

Approved:	Place	Date	Company (Company stamp)
Customer			
	Free size tolerance	Quotation No.	Version DAS
	Material	Order No.	NSL
	Reproduction and transmission to third parties is not permitted We reserve all rights under copyright for this drawing <b>SHS25t x 16.5m Hol:12m</b>		TCHAR
		Scale	
		1:40	
Company:	STEPHAN CraneSystems GmbH		Copy to
Drawn by	Datum	Name	
29.11.2018	DMA/XRS		
Checked by			
Released			
Issue	N/a	Released	
		25-16.6-12-O	
		Replaced by	

This document is the absolute property of STEPHAN CraneSystems GmbH. This document must not be copied without the written permission of STEPHAN CraneSystems GmbH or its parent company STAHl CraneSystems GmbH. The contents thereof must not be disclosed to a third party nor be used for any unauthorized purpose. Contravention will be prosecuted.

REV	CHANGE DESCRIPTION	ECN	DATE	REVISED BY	APPROVED BY
-----	--------------------	-----	------	------------	-------------

25-16.6-12-O-I



This document is the absolute property of STEPHAN CraneSystems GmbH. This document must not be copied without the written permission of STEPHAN CraneSystems GmbH or its parent company STAHL CraneSystems GmbH. The contents thereof must not be disclosed to a third party nor be used for any unauthorized purpose. Contravention will be prosecuted.

Approved: _____		Place _____		Date _____		Company (Company stamp) _____	
Customer _____		Free size tolerance _____		Quotation No. _____		Version DAS	
		Material _____		Order No. _____		NSL	
				Reproduction and transmission to third parties is not permitted		TCHAR	
Company: STEPHAN CraneSystems GmbH		Drawn by 29.11.2018 DMA/XRS Checked by _____ Released _____		SHS25t x 16.5m Hol:12m		Scale	
				25-16.6-12-O-I		1:40	
Issue _____		N/a		Replaced by _____		Copy to _____	