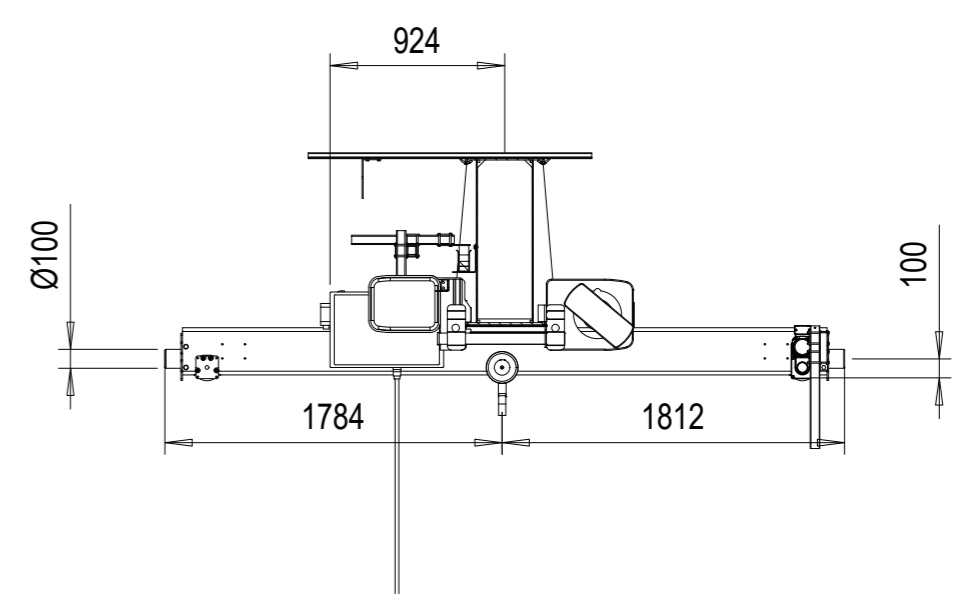
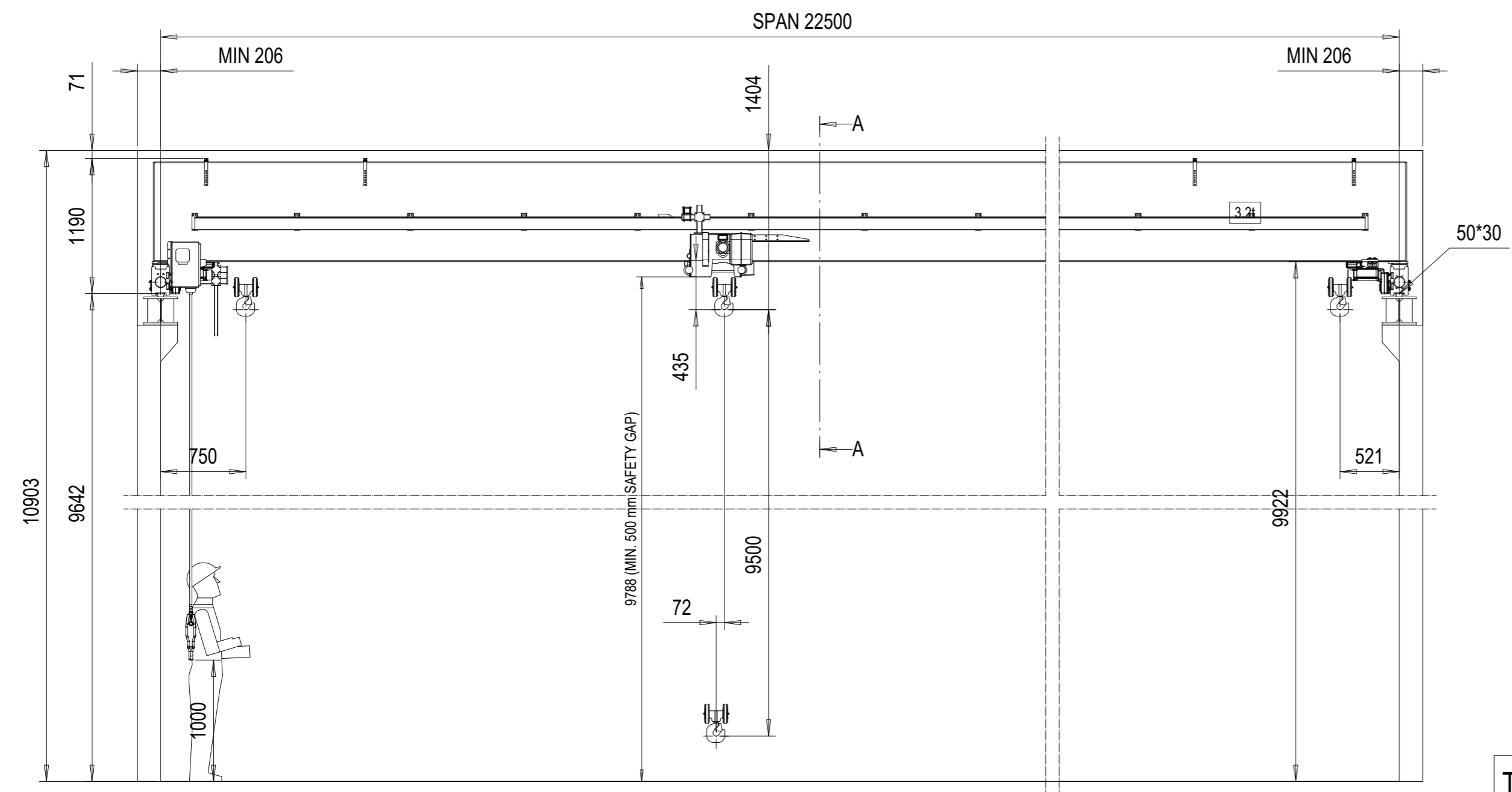


3.2-19.5-9.5-O

REV	CHANGE DESCRIPTION	ECN	DATE	REVISED BY	APPROVED BY
-----	--------------------	-----	------	------------	-------------



VIEW A-A

TECHNICAL DATA

SPAN	: 22.5 m
LOAD	: 3.2t
LIFTING HEIGHT	: 9.5 m
HOISTING SPEED	: 5/0.83 m/min 2-speed
TRAVERSING SPEED	: 20/5 m/min 2-speed pole change
TRAVELLING SPEED	: 40/10 m/min 2-speed inverter
WEIGHT OF TROLLEY	: 230 kg
WEIGHT OF BRIDGE	: 4860 kg
CRANE GROUP	: H2B3
HOIST GROUP	: ISO M5
CRANE DRIVE GROUP	: M5
MAIN / CONTROL VOLTAGE	: 380 / 48 V; 50 Hz
SUPPLY POWER	: 5.2 kW
LENGTH OF RUNWAY	: 0 m

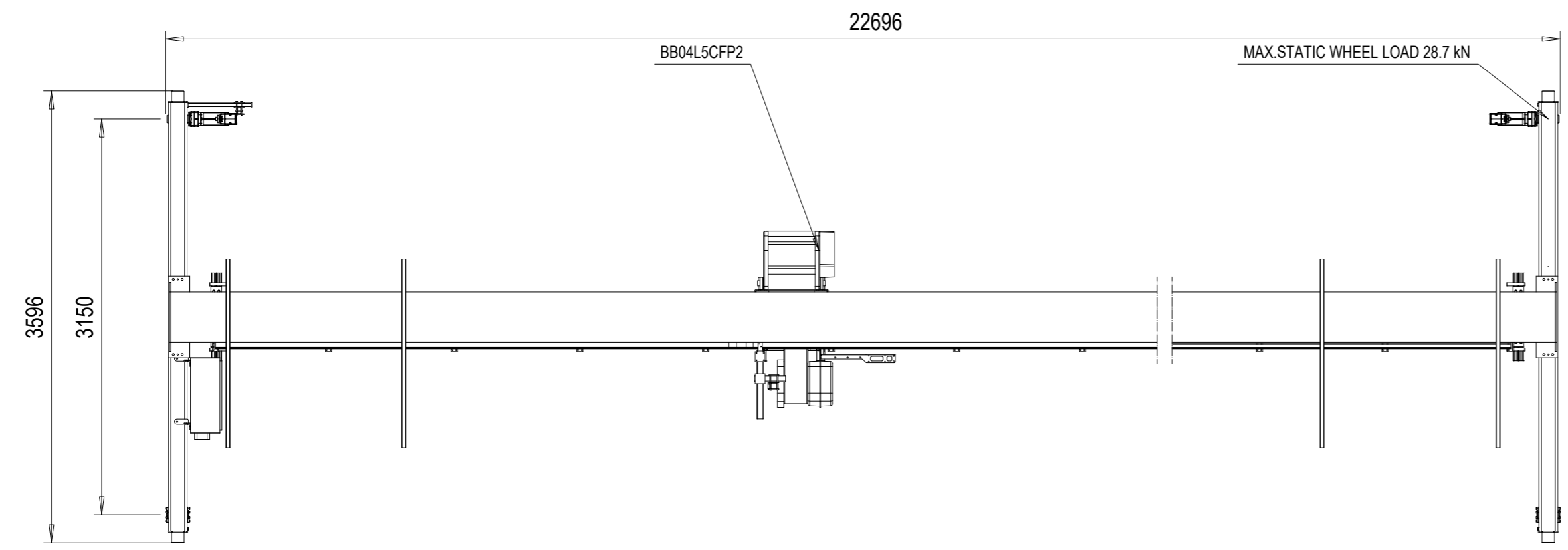
SURFACE TREATMENT OF CRANE
 BRIDGE COLOR : Gelb
 PAINT : AKRYL 70 µm

Runway tolerances must comply with standard ISO12488-1 TOLERANCE CLASS 2

CUSTOMER ORGANIZES SAFE PLATFORM FOR CRANE SERVICE

Indoor Use crane 5°...40° C
 Radio controlled crane
 Pendant as backup

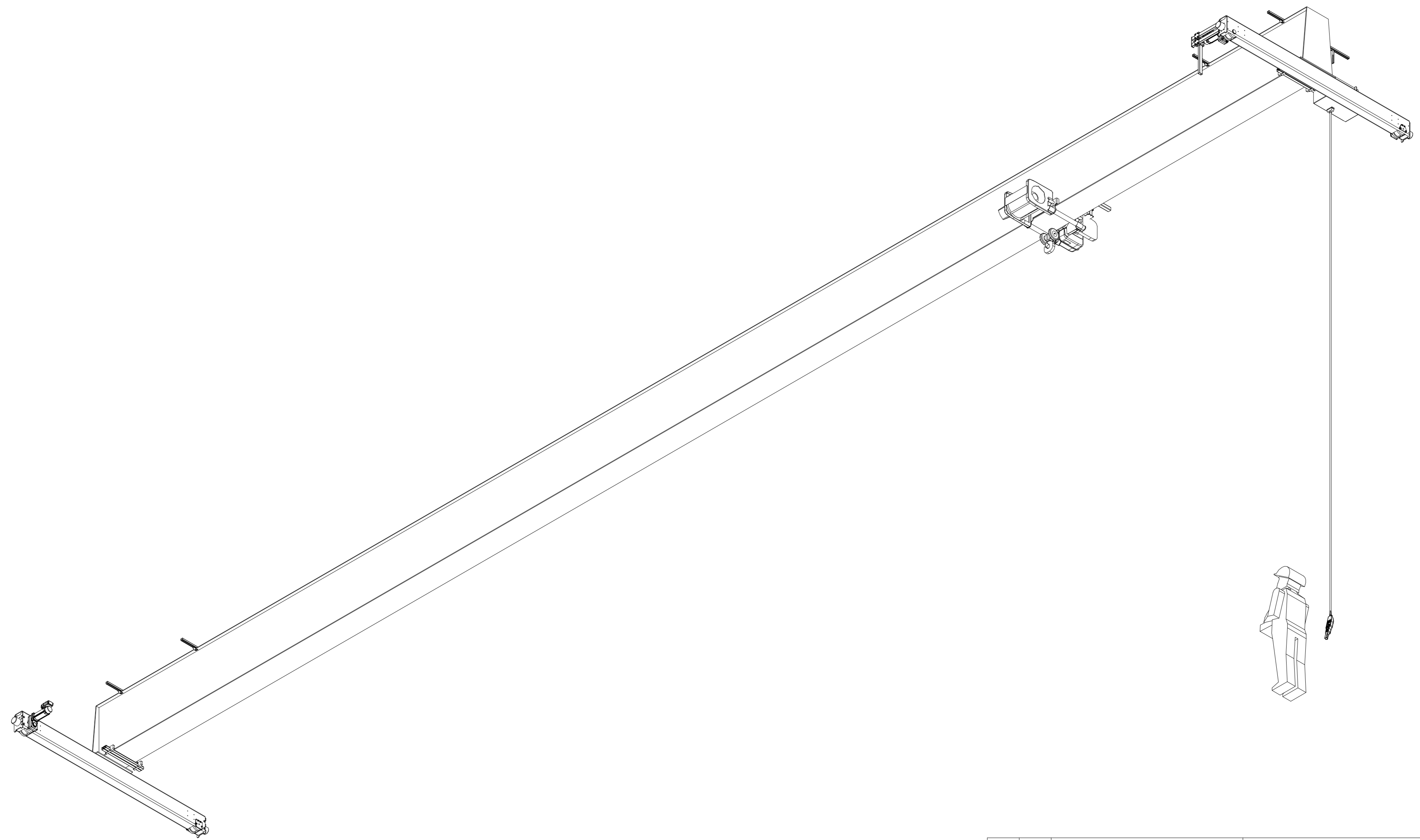
ACCEPTED BY:	Pos	Amount	Description	Specification
COMPANY:		DMA/SCG		DAS / 2.98.18
		Design	Chd	Vx proj
		Date	Appd	
DATE:		27.03.2019		BSC3.2t x 22.5m Hol:9.5m
		Schwäbisch Hall		
	Dept			1:40
		SWF KRANTECHNIK		M-film
				Issue
				3.2-19.5-9.5-O



SWF Krantechnik reserves the right to alter or amend the above information without notice.
 This document and the information contained herein is the exclusive property of SWF Krantechnik and represents a non-public,
 confidential and proprietary trade secret that may not be reproduced, disclosed to third parties, altered or otherwise employed in any
 manner whatsoever without the express written consent of SWF Krantechnik GmbH. Copyright © SWF Krantechnik. All rights reserved.

3.2-19.5-9.5-O-I

REV	CHANGE DESCRIPTION	ECN	DATE	REVISED BY	APPROVED BY
-----	--------------------	-----	------	------------	-------------



SWF Kramtechnik reserves the right to alter or amend the above information without notice. This document and the information contained herein is the exclusive property of SWF Kramtechnik and represents a non-public, confidential and proprietary trade secret that may not be reproduced, disclosed to third parties, altered or otherwise employed in any manner whatsoever without the express written consent of SWF Kramtechnik GmbH. Copyright © SWF Kramtechnik. All rights reserved.

Pos	Amount	Description	Specification		
		DMA/SCG			DAS / 2.98.18
		Design	Chd	Appd	Ref drawing
		27.03.2019	BSC3.2t x 22.5m Hol:9.5m		
		Date			
		Schwäbisch Hall			
		Dept			
		SWF KRANTECHNIK	3.2-19.5-9.5-O-I		
			1:40		
			M-film		
			Issue		