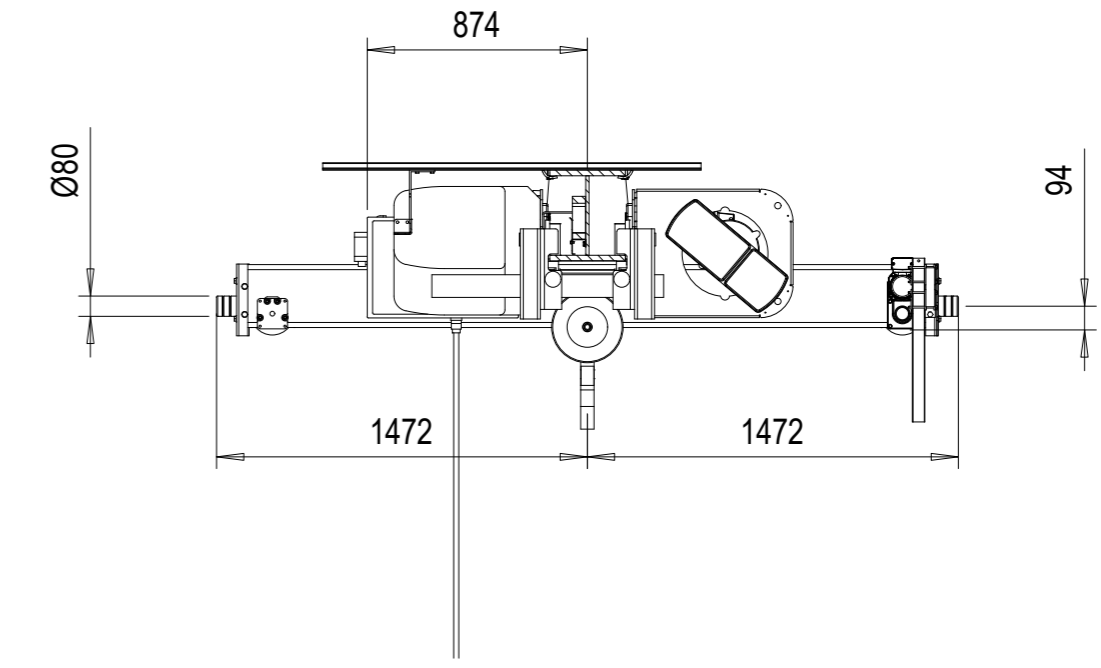
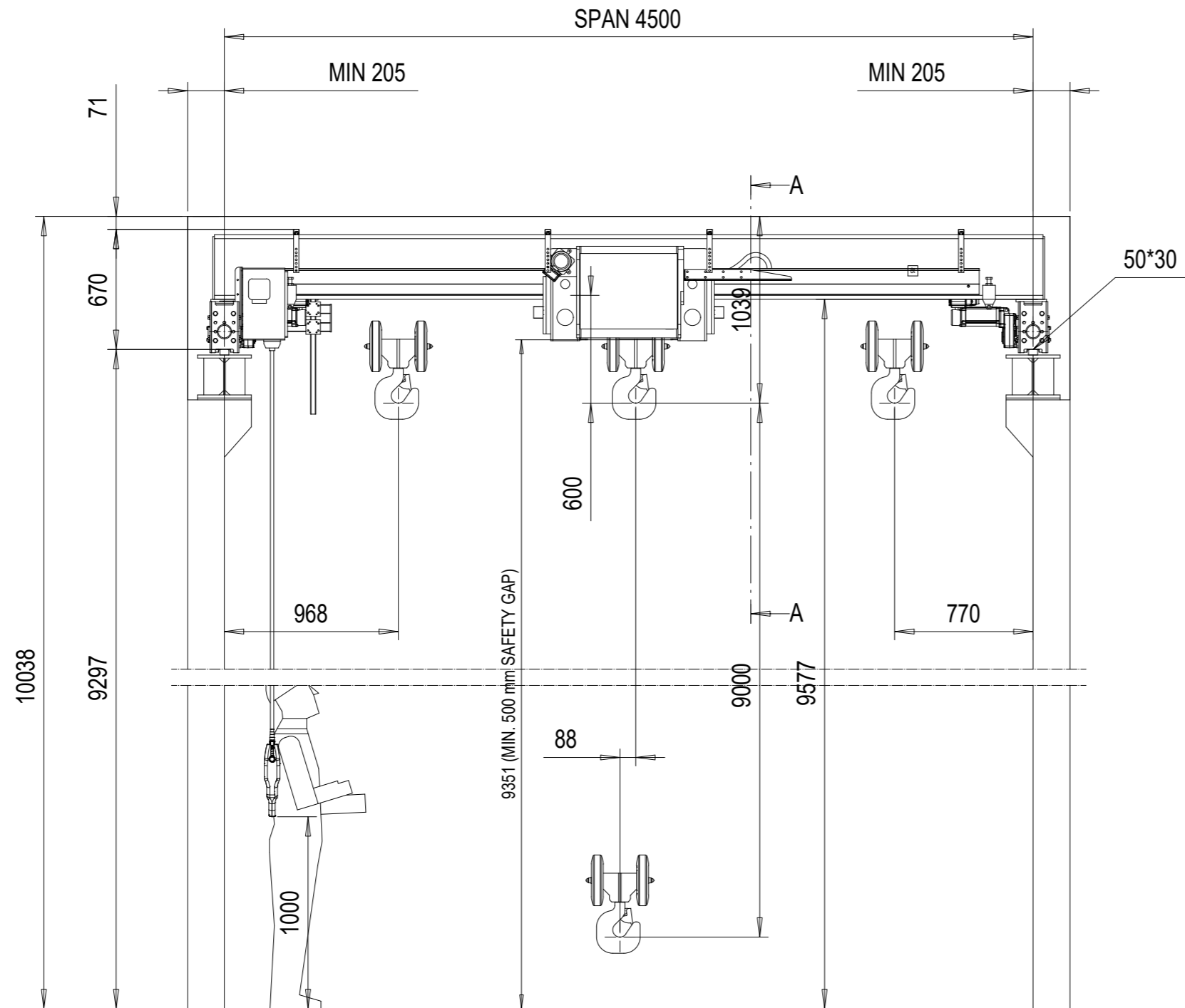
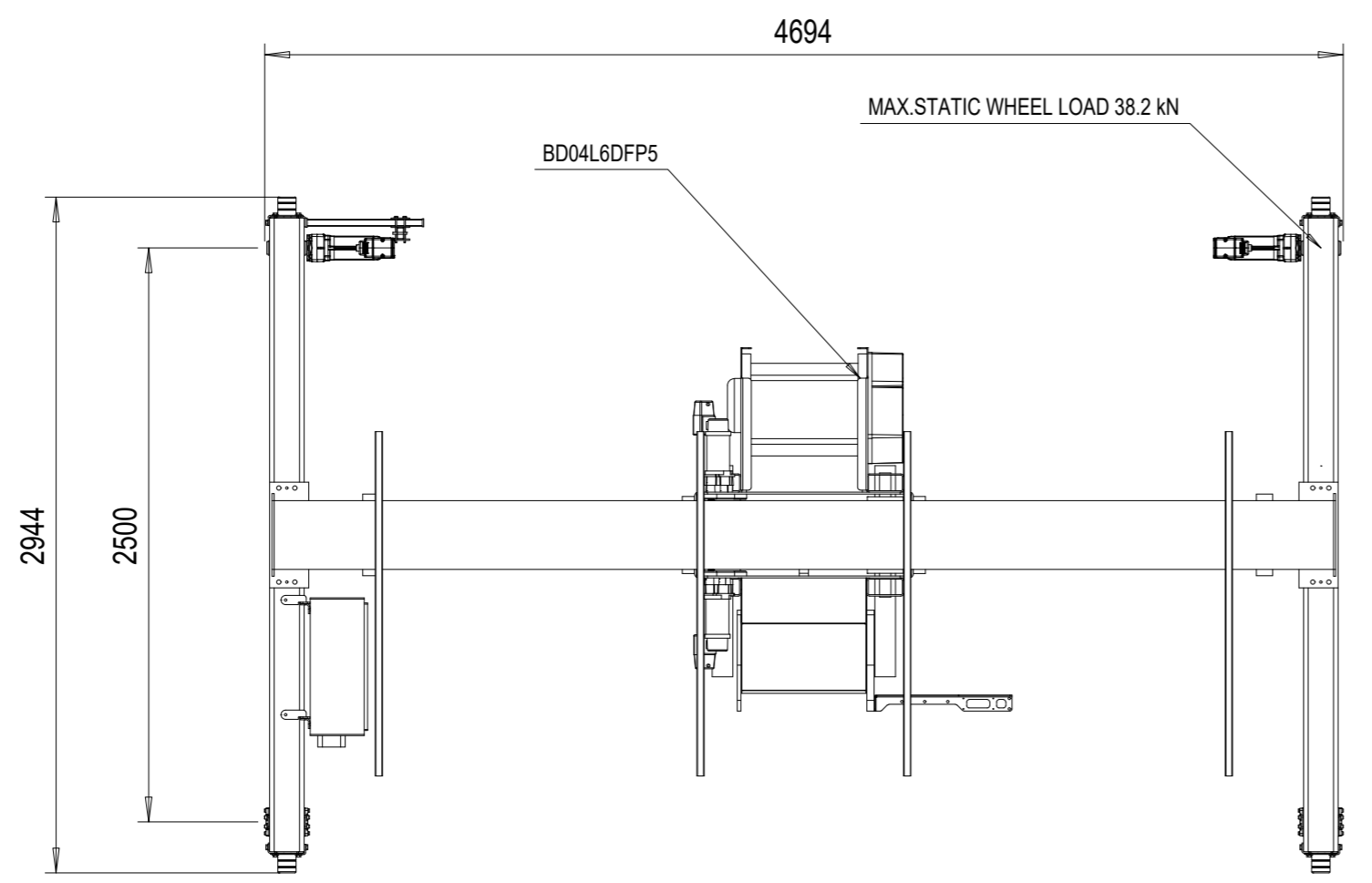
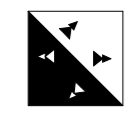


8-4.5-9-O

REV	CHANGE DESCRIPTION	ECN	DATE	REVISED BY	APPROVED BY
-----	--------------------	-----	------	------------	-------------



VIEW A-A



**TECHNICAL DATA**

SPAN	: 4.5 m
LOAD	: 8t
LIFTING HEIGHT	: 9 m
HOISTING SPEED	: 5/0.83 m/min 2-speed
TRAVERSING SPEED	: 20/5 m/min 2-speed pole change
TRAVELLING SPEED	: 40/10 m/min 2-speed inverter
WEIGHT OF TROLLEY	: 650 kg
WEIGHT OF BRIDGE	: 1180 kg
CRANE GROUP	: H2B3
HOIST GROUP	: ISO M6
CRANE DRIVE GROUP	: M5
MAIN / CONTROL VOLTAGE	: 380 / 48 V; 50 Hz
SUPPLY POWER	: 10.28 kW
LENGTH OF RUNWAY	: 0 m

**SURFACE TREATMENT OF CRANE**  
 BRIDGE COLOR : Gelb  
 PAINT : AKRYL 70 µm

Runway tolerances must comply with standard ISO12488-1 TOLERANCE CLASS 2

CUSTOMER ORGANIZES SAFE PLATFORM FOR CRANE SERVICE

Indoor Use crane 5° ...40° C  
 Radio controlled crane  
 Pendant as backup

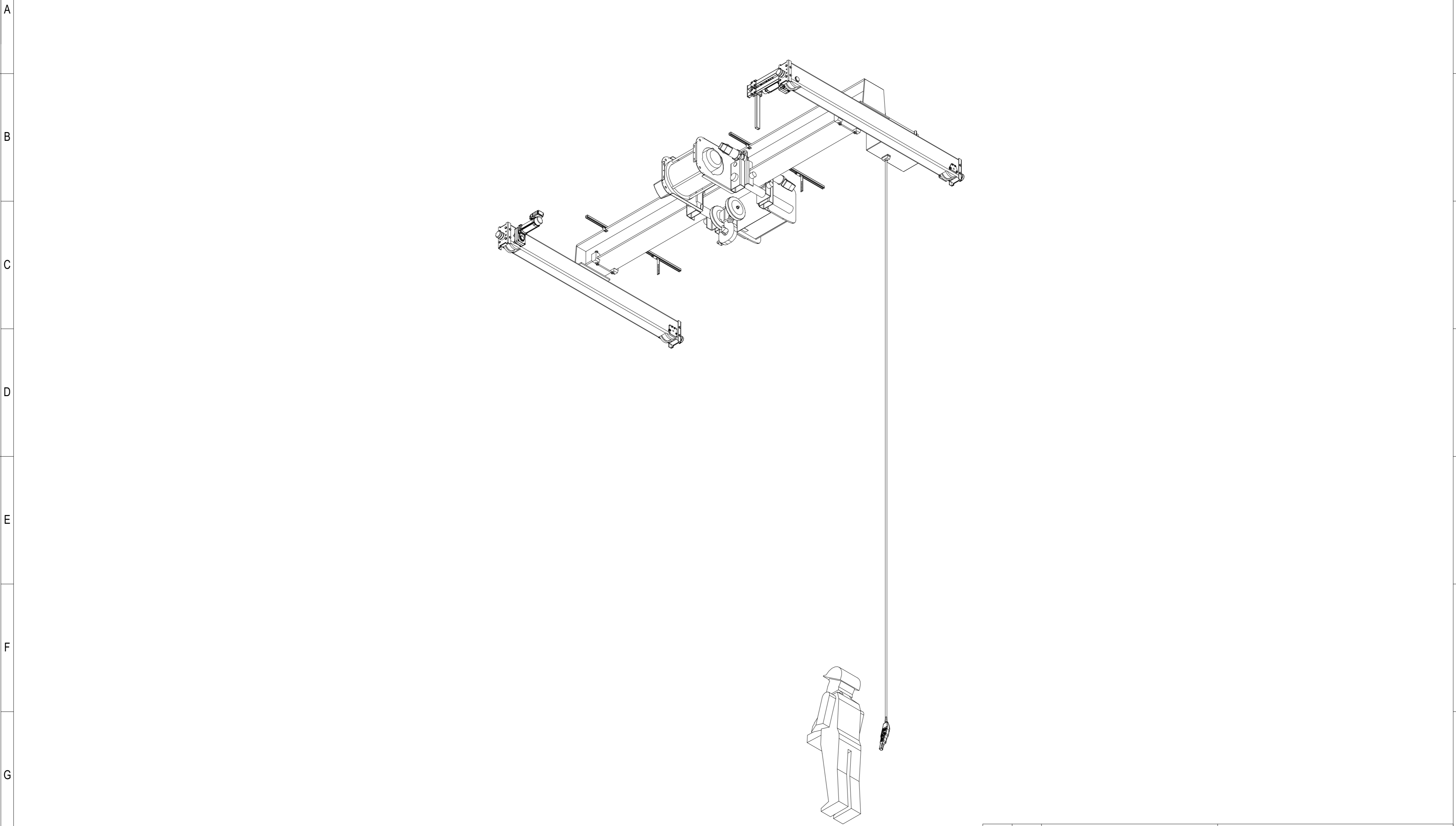
ACCEPTED BY:	Pos	Amount	Description	Specification
COMPANY:		DMA/SCG		DAS / 2.98.18
		Design	Chd	Appd
		20.03.2019	Ref drawing	
DATE:		Schwäbisch Hall	BSC8t x 4.5m Hol:9m	
		Dept	1:30	
		<b>SWF</b> KRANTECHNIK	M-film	
			8-4.5-9-O	
			Issue	

SWF Krantechnik reserves the right to alter or amend the above information without notice.  
 This document and the information contained herein is the exclusive property of SWF Krantechnik and represents a non-public,  
 confidential and proprietary trade secret that may not be reproduced, disclosed to third parties, altered or otherwise employed in any  
 manner whatsoever without the express written consent of SWF Krantechnik GmbH. Copyright © SWF Krantechnik. All rights reserved.

1 2 3 4 5 6 7 8 9 10 11 12

REV	CHANGE DESCRIPTION	ECN	DATE	REVISED BY	APPROVED BY
-----	--------------------	-----	------	------------	-------------

8-4.5-9-O-I



B

C

D

E

F

G

H

SWF Kramtechnik reserves the right to alter or amend the above information without notice.  
 This document and the information contained herein is the exclusive property of SWF Kramtechnik and represents a non-public,  
 confidential and proprietary trade secret that may not be reproduced, disclosed to third parties, altered or otherwise employed in any  
 manner whatsoever without the express written consent of SWF Kramtechnik GmbH. Copyright © SWF Kramtechnik. All rights reserved.

Pos	Amount	Description	Specification
		DMA/SCG	
		Design	Chd Appd Ref drawing
		20.03.2019	DAS / 2.98.18
		Date	Vx proj
		Schwäbisch Hall	BSC8t x 4.5m Hol:9m
		Dept	1:40
		<b>SWF</b> KRANTECHNIK	M-film
		8-4.5-9-O-I	Issue

1 2 3 4 5 6 7 8 9 10 11 12