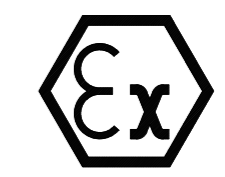
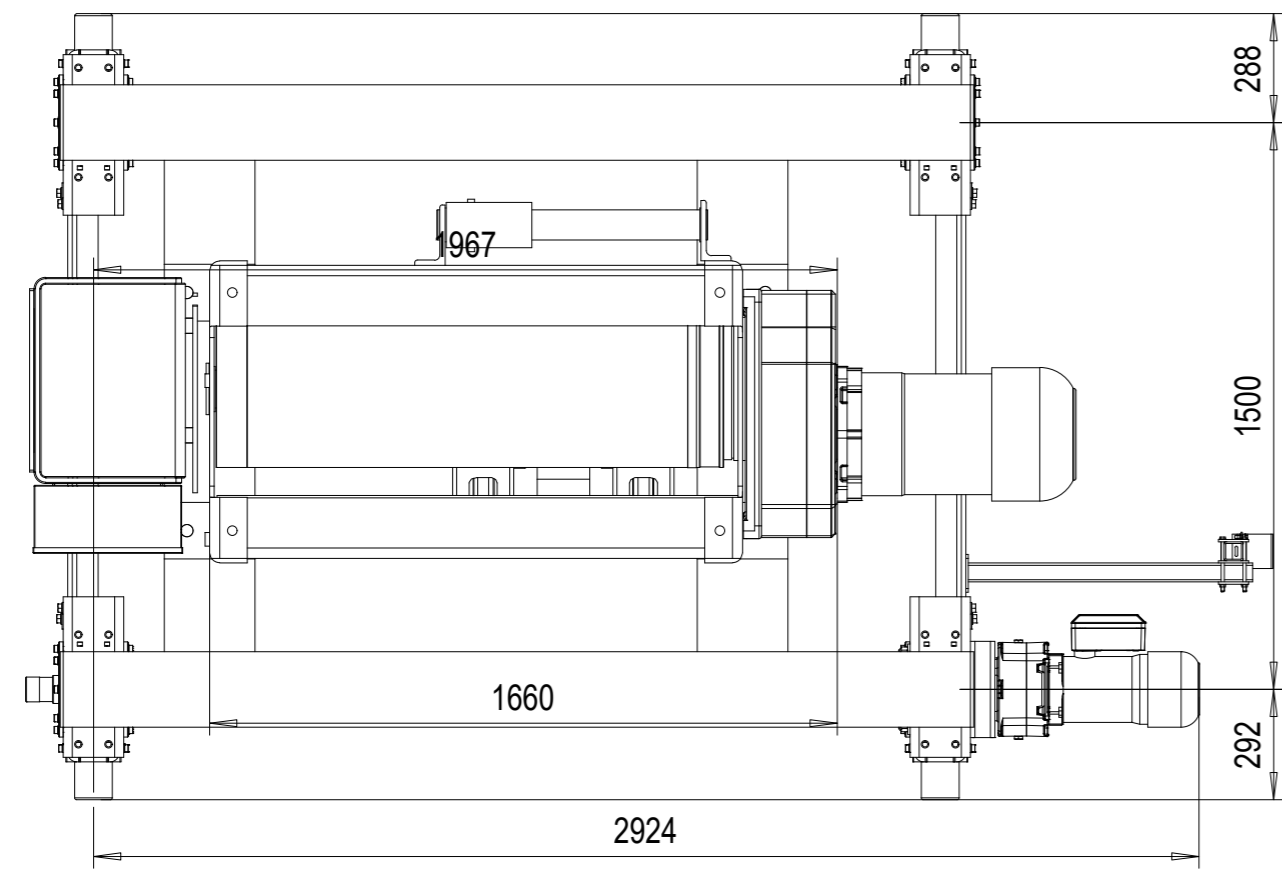
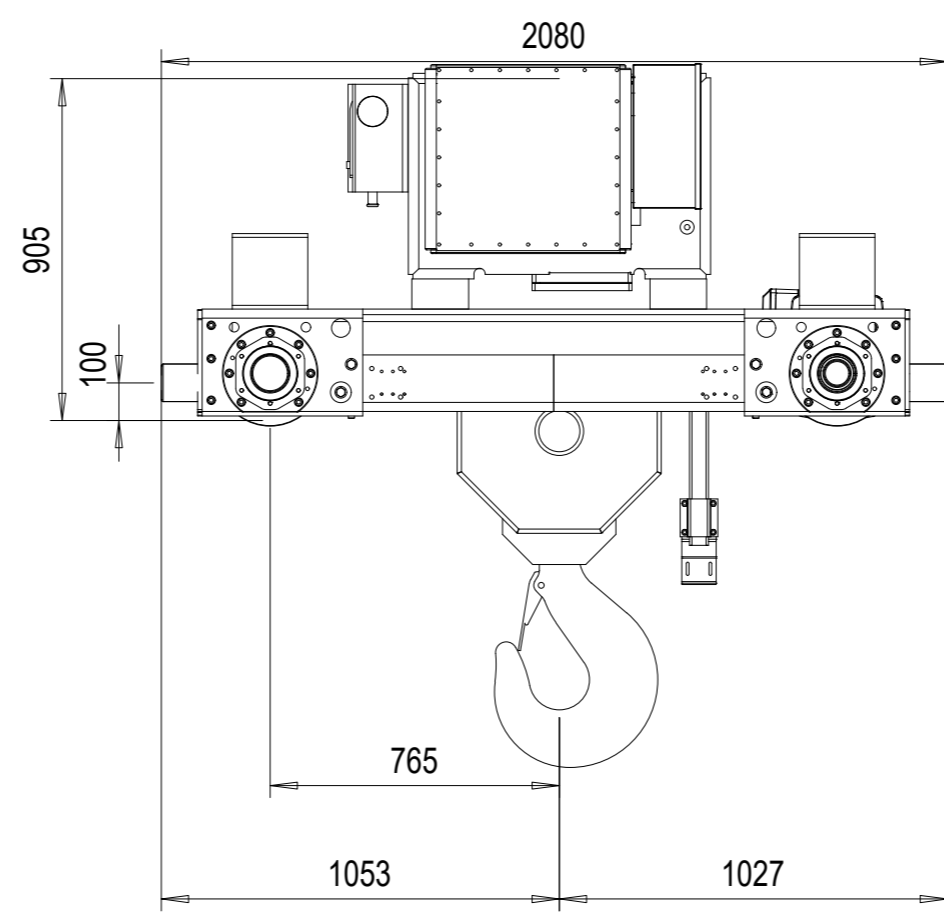
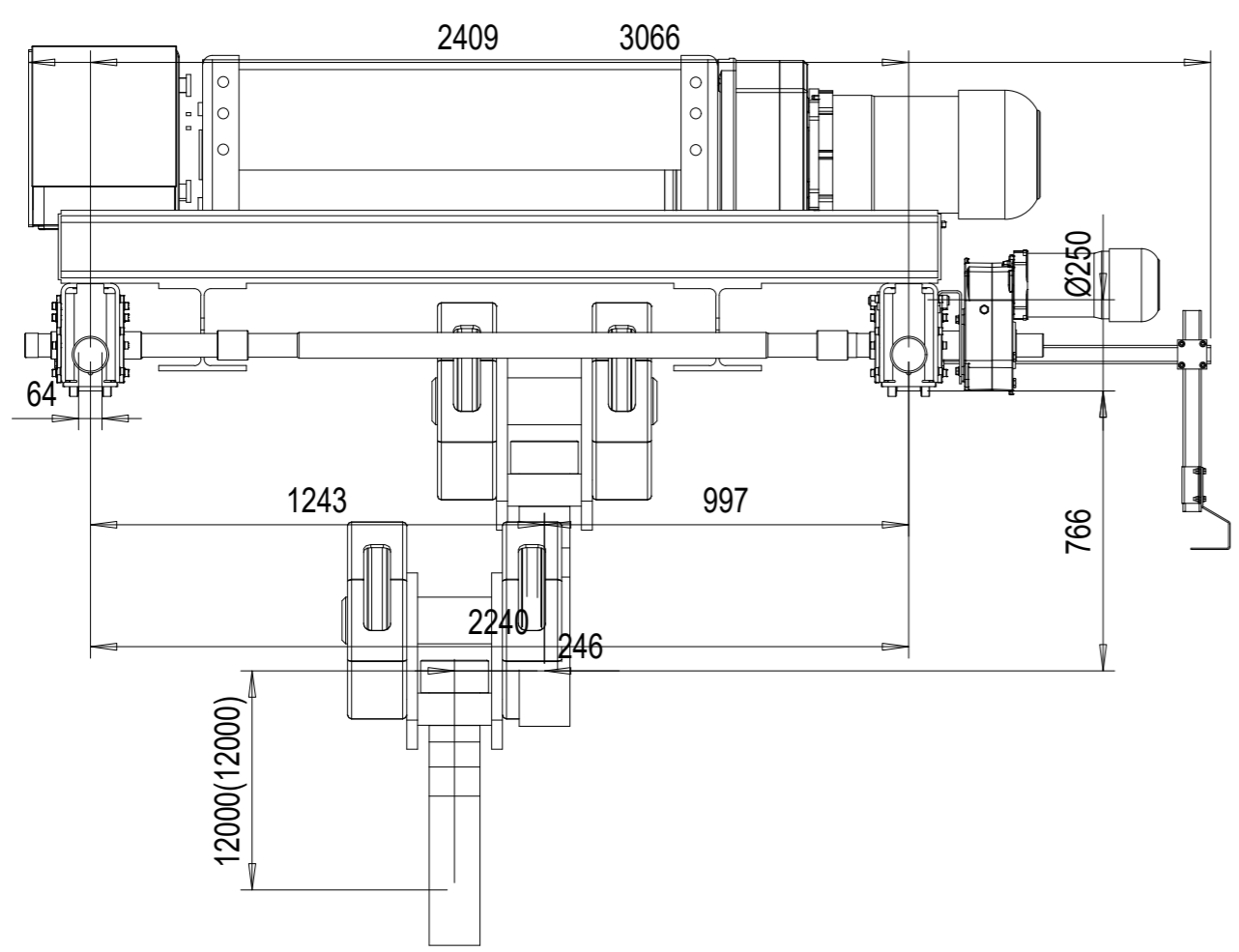


25-13.5-12-ex-OEX

REV	CHANGE DESCRIPTION	ECN	DATE	REVISED BY	APPROVED BY
-----	--------------------	-----	------	------------	-------------



Marking : Ex II 2G Ex de IIB T4 Gb/Ex II 2G ck IIB T4  
Ambient temperature : -10°...40° C

TECHNICAL DATA	
LOAD	: 25000 kg
LIFTING HEIGHT	: 12 m
HOISTING SPEED	: 2,5/0,42 m/min 2-speed
TRAVERSING SPEED	: 20/5 m/min 2-speed pole change
WEIGHT OF HOIST	: 3210 kg
HOIST GROUP	: 4,0 + 4,0 m (D_lin4) / ISO M6
MAIN / CONTROL VOLTAGE	: 380 / 48 V; 50 Hz

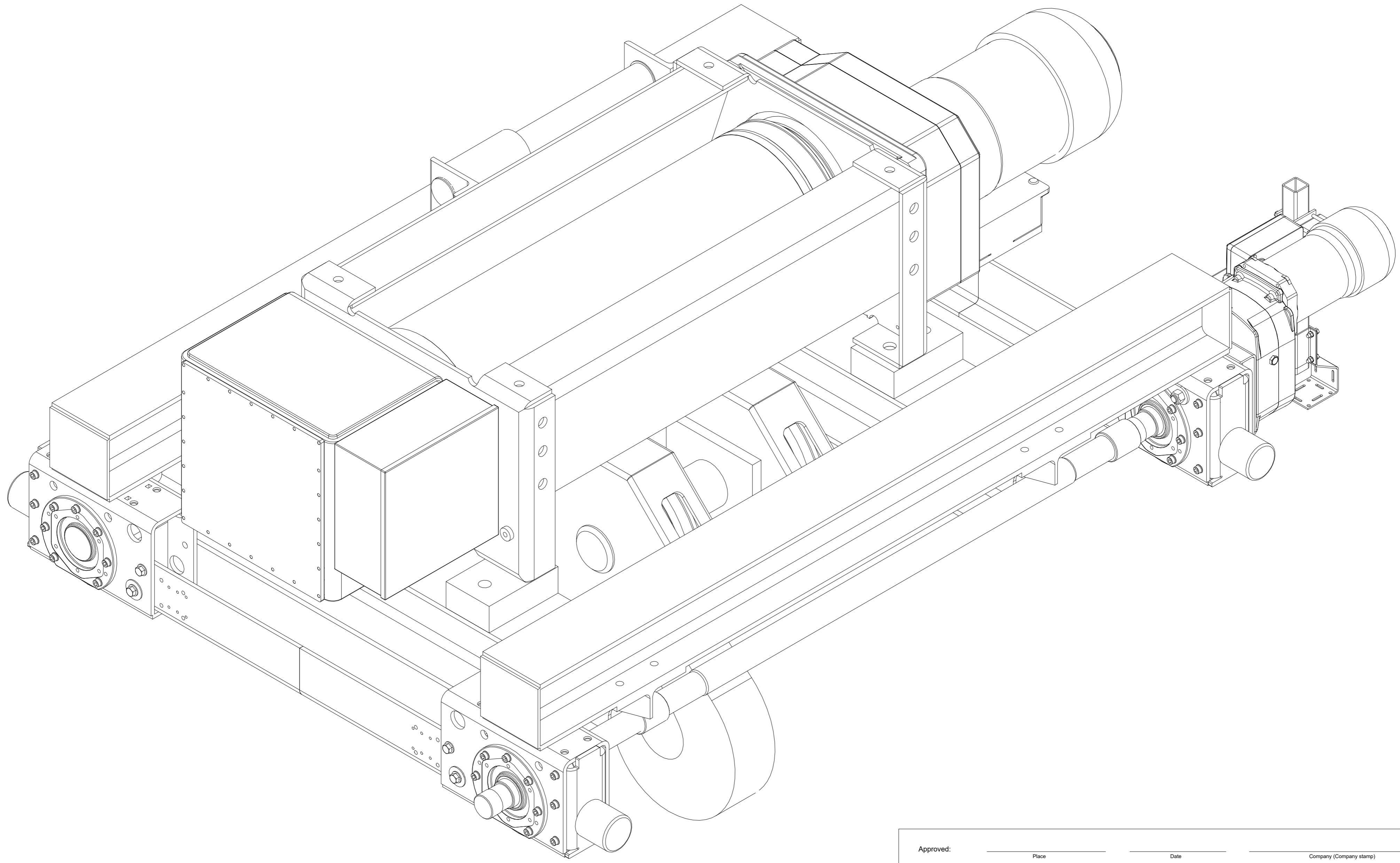
Approved:	_____	_____	_____
	Place	Date	Company (Company stamp)
Customer	_____		
	Free size tolerance	Quotation No.	Version DAS
	Material	Order No.	NSL
		Reproduction and transmission to third parties is not permitted We reserve all rights under copyright for this drawing	TCHAR
		SHD EX 25t x 13.5m Hol:12m	Scale
			1:20
Company:	STEPHAN CraneSystems GmbH		Copy to
	Drawn by	Datum	Name
	24.05.2019	DMA/XRS	
	Checked by		
	Released		
Issue	N/a		
			Replaced by

Note! Additional options can affect weights and dimensions of some components.

This document is the absolute property of STEPHAN CraneSystems GmbH. This document must not be copied without the written permission of STEPHAN CraneSystems GmbH or its parent company STAH CraneSystems GmbH. The contents thereof must not be disclosed to a third party nor be used for any unauthorized purpose. Contravention will be prosecuted.


25-13.5-12-ex-OEx

REV	CHANGE DESCRIPTION	ECN	DATE	REVISED BY	APPROVED BY
-----	--------------------	-----	------	------------	-------------



This document is the absolute property of STEPHAN CraneSystems GmbH. This document must not be copied without the written permission of STEPHAN CraneSystems GmbH or its parent company STAHL CraneSystems GmbH. The reproduction of this document for any other purpose or to a third party not be used for any unauthorized purpose. Contravention will be prosecuted.

Note! Additional options can affect weights and dimensions of some components.

Approved: _____		Place _____		Date _____		Company (Company stamp) _____	
Customer _____		Free size tolerance _____		Quotation No. _____		Version DAS	
		Material _____		Order No. _____		NSL	
				Reproduction and transmission to third parties is not permitted		TCHAR	
				We reserve all rights under copyright for this drawing		Scale	
Company: STEPHAN CraneSystems GmbH		Datum _____		Name _____		1:2.5	
Issue _____		N/a		Drawn by 24.05.2019 DMA/XRS		Copy to _____	
				Checked by _____			
				Released _____			
				25-13.5-12-ex-OEx			
				Replaced by _____			