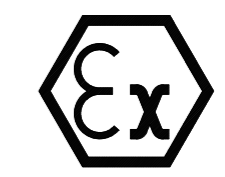
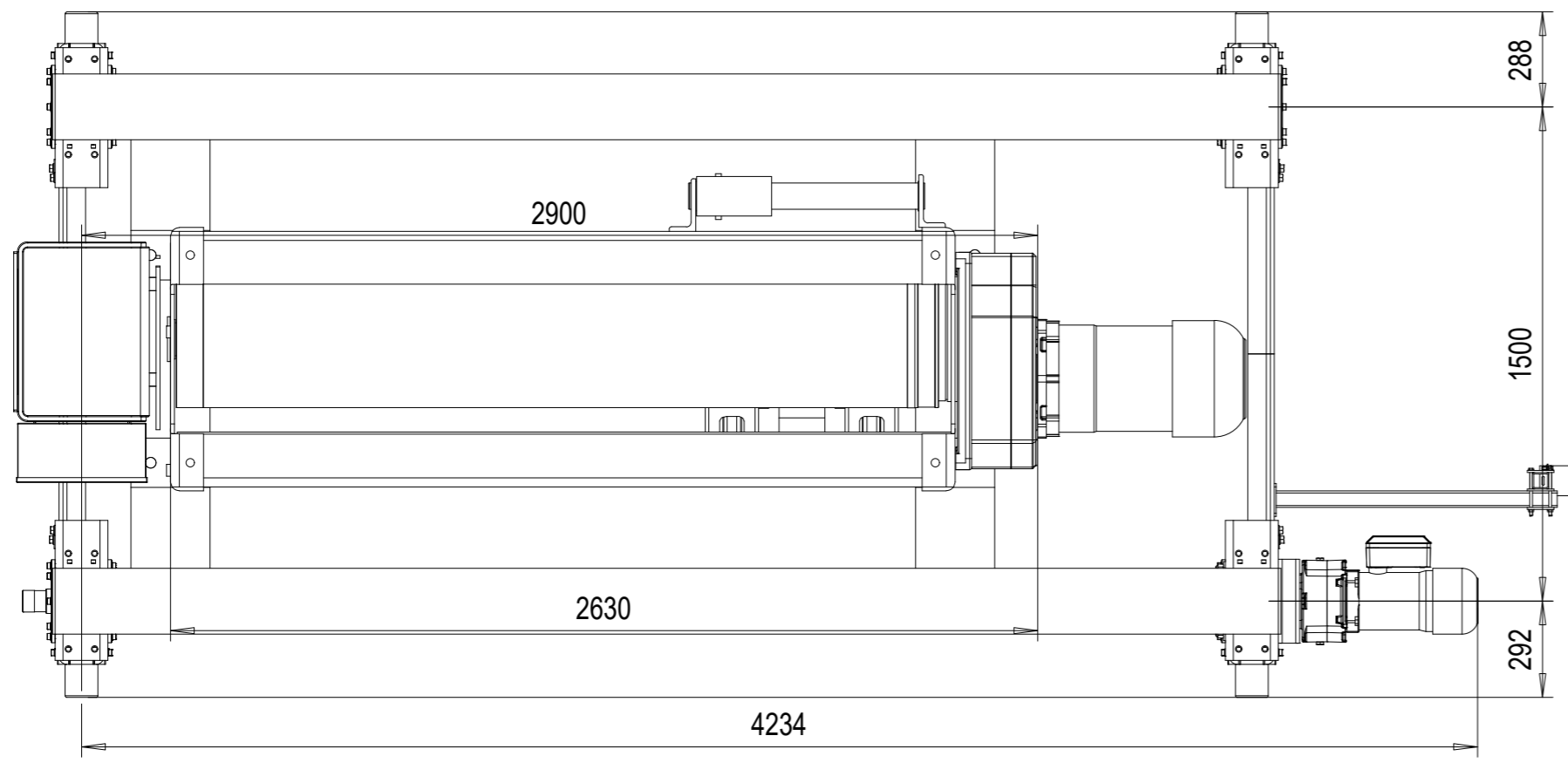
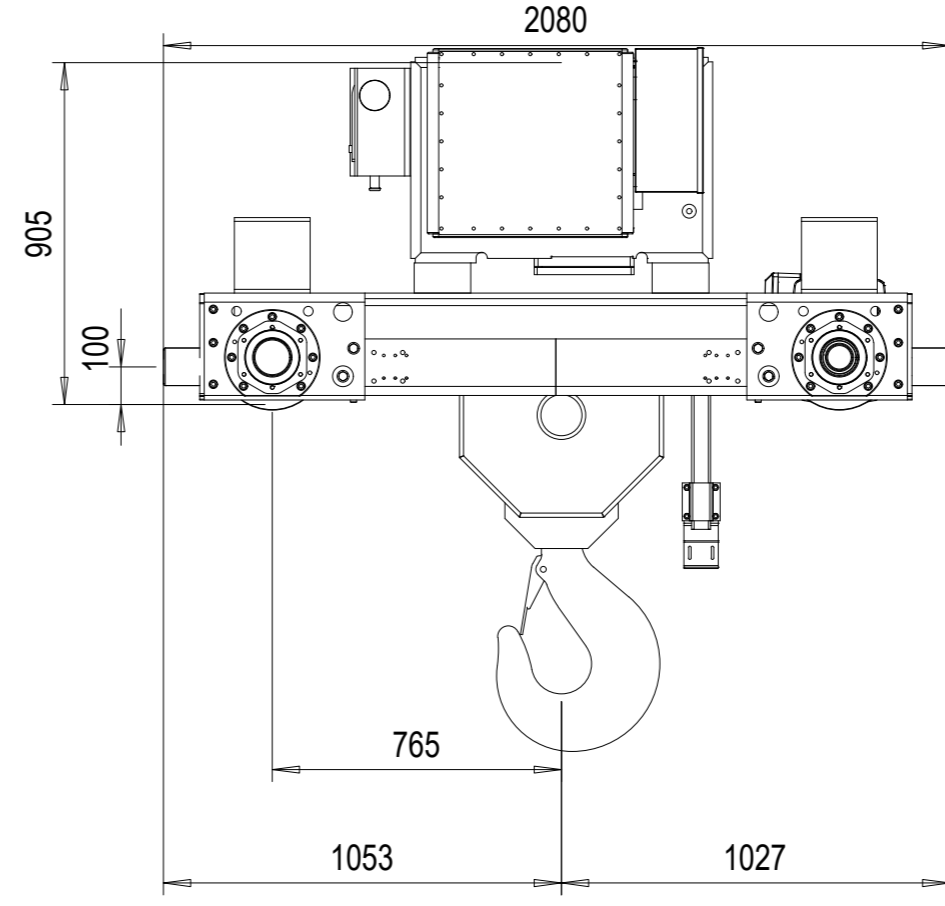
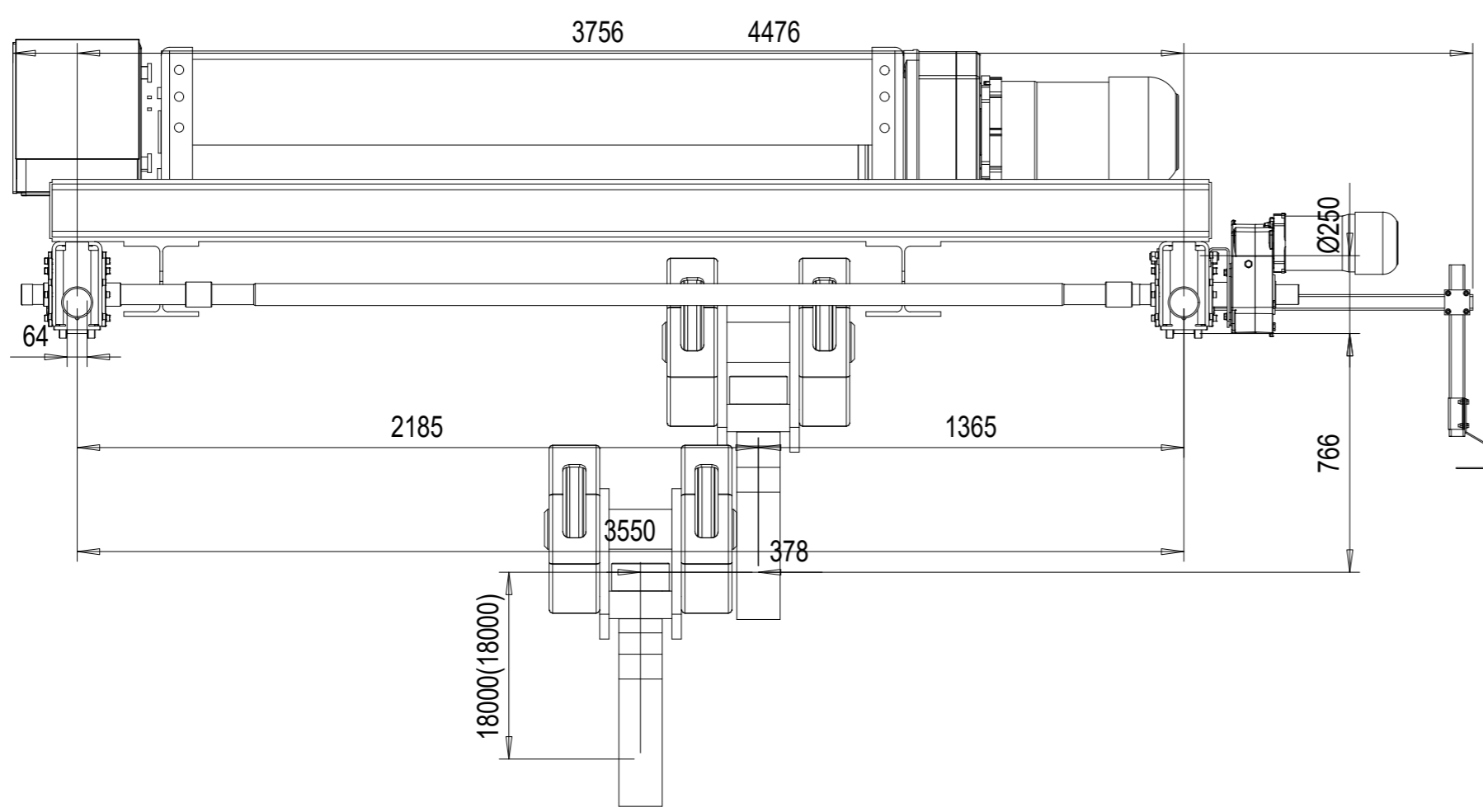


25-19.5-18-ex-OEX

REV	CHANGE DESCRIPTION	ECN	DATE	REVISED BY	APPROVED BY
-----	--------------------	-----	------	------------	-------------



Marking : Ex II 2G Ex de IIB T4 Gb/Ex II 2G ck IIB T4
Ambient temperature : -10°...40° C

TECHNICAL DATA	
LOAD	: 25000 kg
LIFTING HEIGHT	: 18 m
HOISTING SPEED	: 2,5/0,42 m/min 2-speed
TRAVERSING SPEED	: 20/5 m/min 2-speed pole change
WEIGHT OF HOIST	: 4110 kg
HOIST GROUP	: 4,0 + 4,0 m (D_lin4) / ISO M6
MAIN / CONTROL VOLTAGE	: 380 / 48 V; 50 Hz

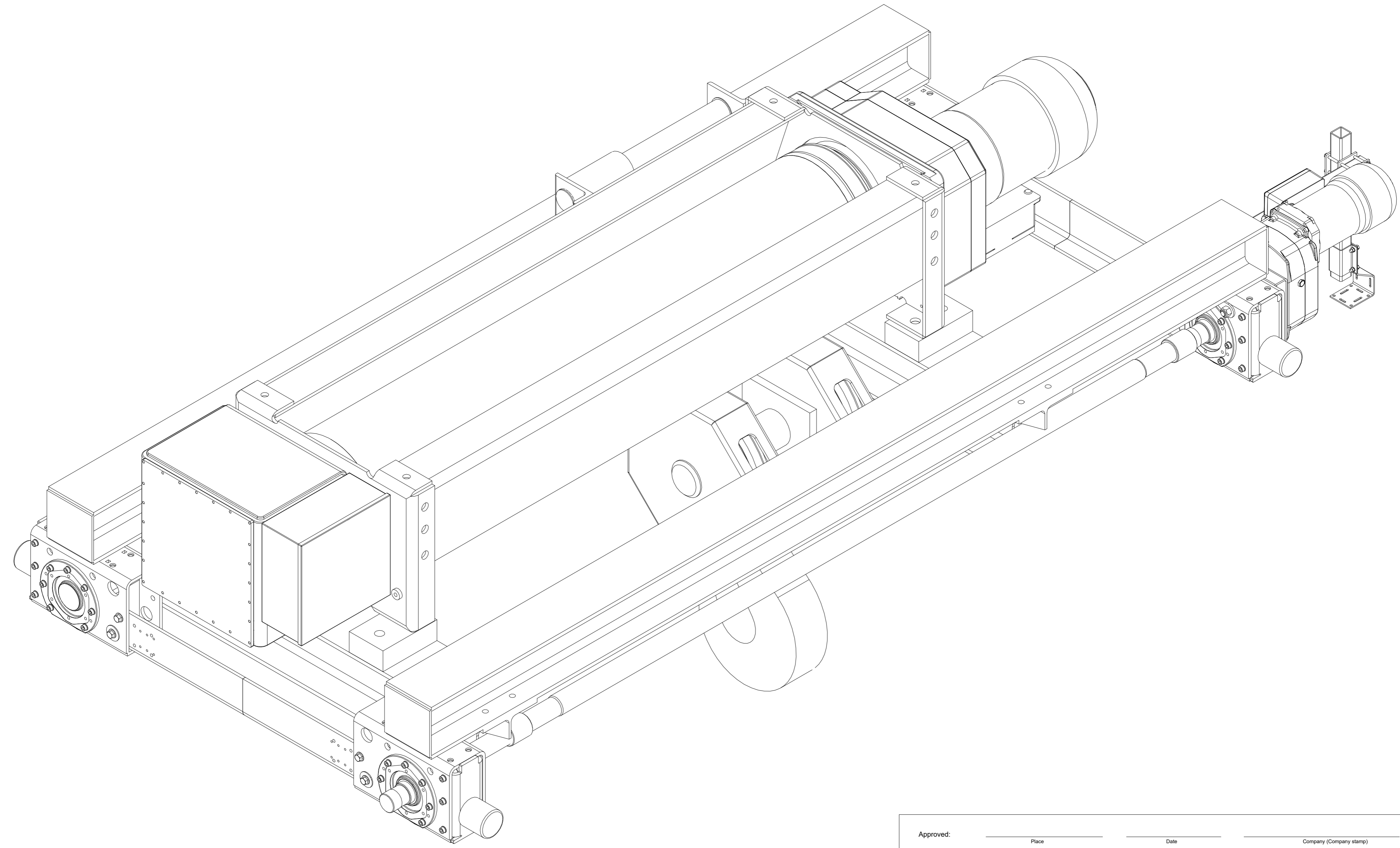
Approved:	_____	Place	_____	Date	_____	Company (Company stamp)	_____
Customer	_____						
STAHL CraneSystems	Free size tolerance	Quotation No.				Version	DAS
	Material	Order No.				NSL	
	Reproduction and transmission to third parties is not permitted We reserve all rights under copyright for this drawing SHD EX 25t x 19.5m Hol:18m					TCHAR	
Company: STEPHAN CraneSystems GmbH		Datum	Name		Scale		
Issue	N/a	Released	24.05.2019 DMA/XRS		1:20		
25-19.5-18-ex-OEX					Copy to		
Replaced by							

Note! Additional options can affect weights and dimensions of some components.

This document is the absolute property of STEPHAN CraneSystems GmbH. This document must not be copied without the written permission of STEPHAN CraneSystems GmbH or its parent company STAHL CraneSystems GmbH. The contents thereof must not be disclosed to a third party nor be used for any unauthorized purpose. Contravention will be prosecuted.

25-19.5-18-ex-OEx

REV	CHANGE DESCRIPTION	ECN	DATE	REVISED BY	APPROVED BY
-----	--------------------	-----	------	------------	-------------



This document is the absolute property of STEPHAN CraneSystems GmbH. This document must not be copied without the written permission of STEPHAN CraneSystems GmbH or its parent company STAHL CraneSystems GmbH. The information contained herein is intended for the use of the customer and is not to be used for any unauthorized purpose. Contravention will be prosecuted.

Note! Additional options can affect weights and dimensions of some components.

Approved: _____		Place _____		Date _____		Company (Company stamp) _____	
Customer _____		Free size tolerance _____		Material _____		Quotation No. _____ Order No. _____ Reproduction and transmission to third parties is not permitted We reserve all rights under copyright for this drawing SHD EX 25t x 19.5m Hol:18m	
STAHL CraneSystems		Company: STEPHAN CraneSystems GmbH Drawn by: 24.05.2019 DMA/XRS Checked by: _____ Issue: _____ N/a _____ Released: _____		Scale: 1:2.5 Copy to: _____ Replaced by: _____		Version: DAS NSL TCHAR	