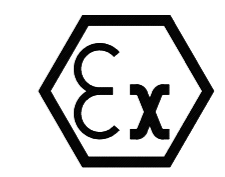
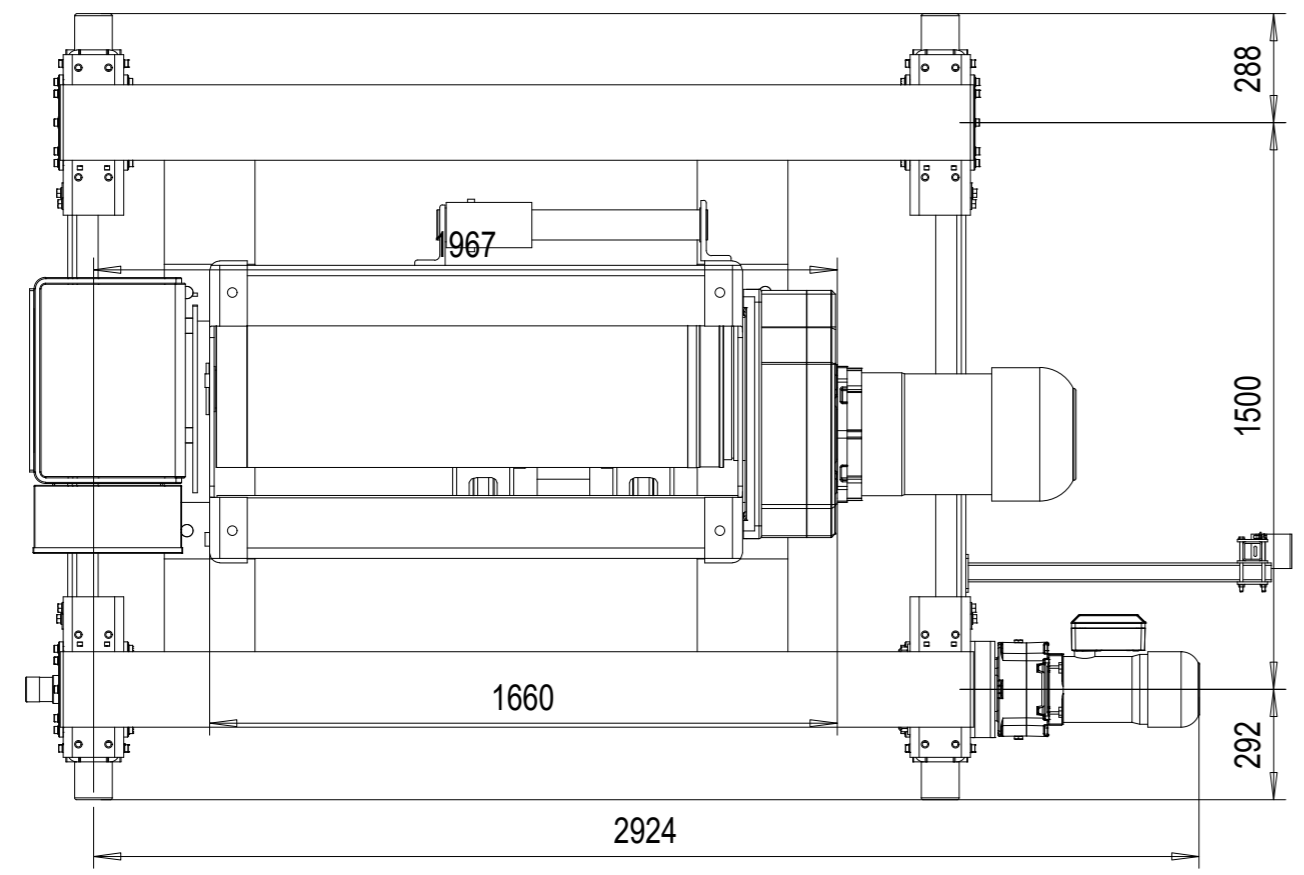
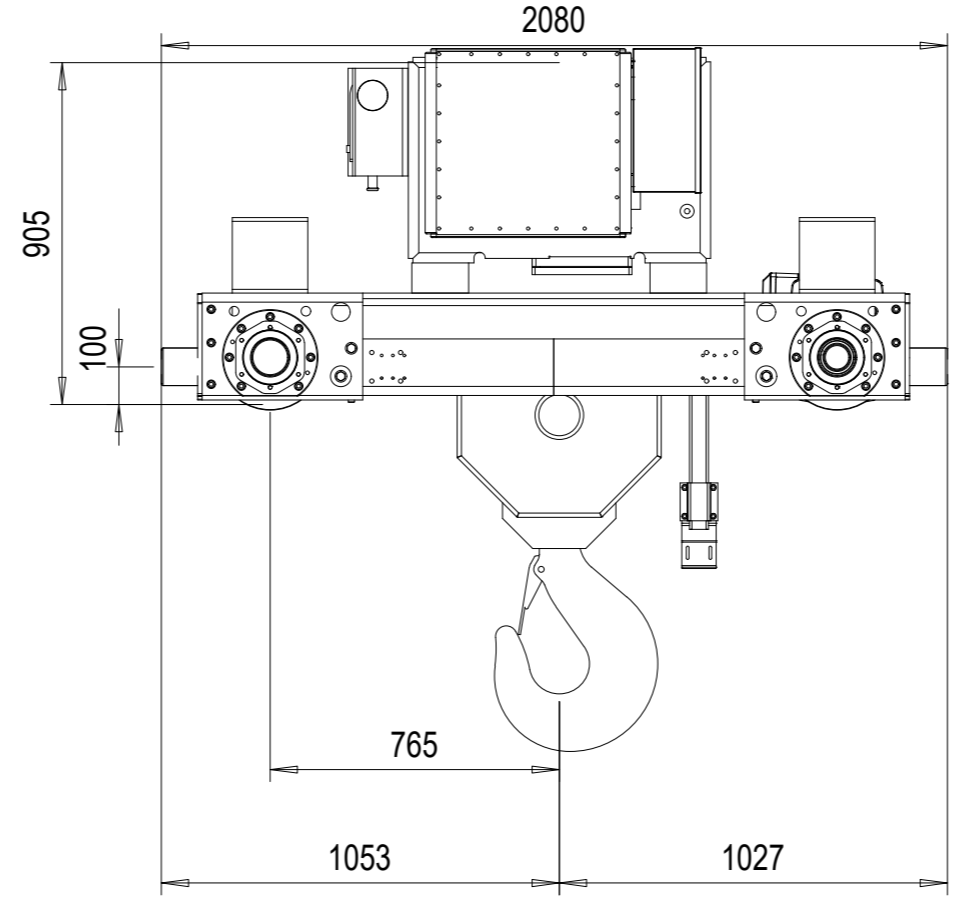
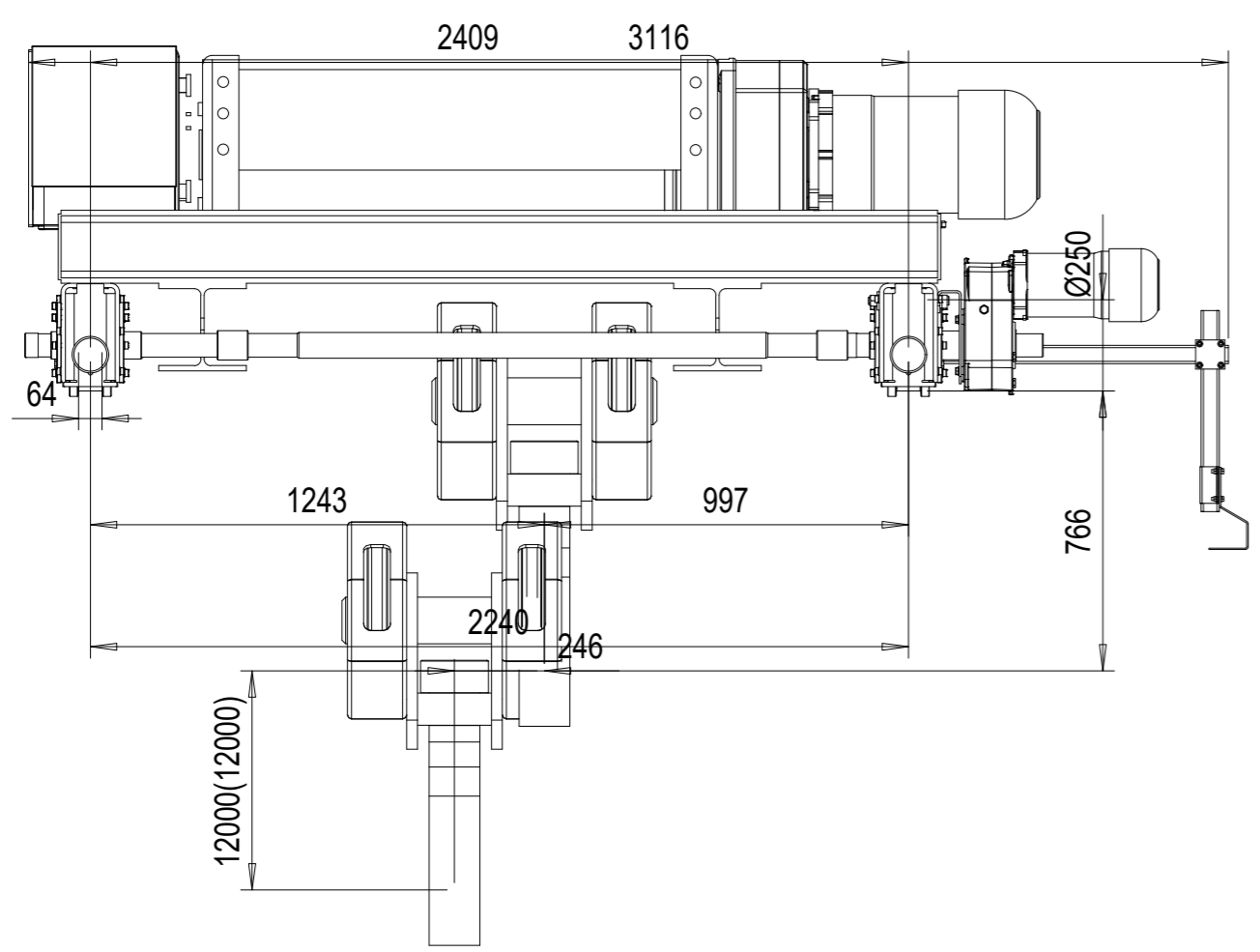


32-13.5-12-ex-OEX

REV	CHANGE DESCRIPTION	ECN	DATE	REVISED BY	APPROVED BY
-----	--------------------	-----	------	------------	-------------



Marking : Ex II 2G Ex de IIB T4 Gb/Ex II 2G ck IIB T4  
Ambient temperature : -10°...40° C

TECHNICAL DATA	
LOAD	: 32000 kg
LIFTING HEIGHT	: 12 m
HOISTING SPEED	: 2/0,33 m/min 2-speed
TRAVERSING SPEED	: 20/5 m/min 2-speed pole change
WEIGHT OF HOIST	: 3210 kg
HOIST GROUP	: 4,0 + 4,0 m (D_lin4) / ISO M5
MAIN / CONTROL VOLTAGE	: 380 / 48 V; 50 Hz

Approved: \_\_\_\_\_ Place \_\_\_\_\_ Date \_\_\_\_\_ Company (Company stamp) \_\_\_\_\_  
Customer \_\_\_\_\_

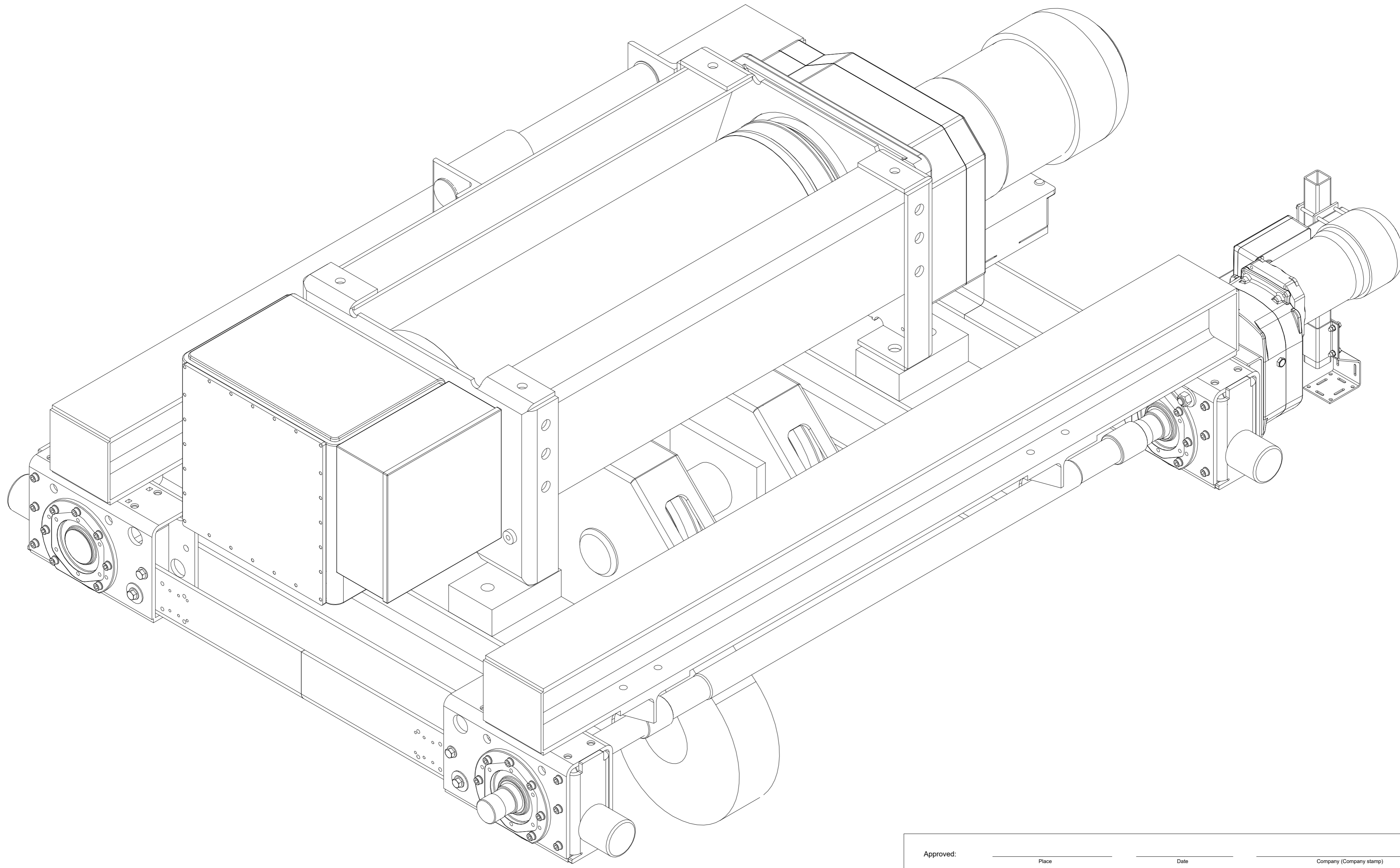
	Free size tolerance	Quotation No.	Version DAS
	Material	Order No.	NSL
	Reproduction and transmission to third parties is not permitted We reserve all rights under copyright for this drawing <b>SHD EX 32t x 13.5m Hol:12m</b>		TCHAR
Company: STEPHAN CraneSystems GmbH		Dated by 24.05.2019 DMA/XRS Checked by _____ Released _____	Scale <b>1:20</b>
Issue _____ N/a _____		32-13.5-12-ex-OEX Replaced by _____	Copy to _____

Note! Additional options can affect weights and dimensions of some components.

This document is the absolute property of STEPHAN CraneSystems GmbH. This document must not be copied without the written permission of STEPHAN CraneSystems GmbH or its parent company STAH CraneSystems GmbH. The contents thereof must not be disclosed to a third party nor be used for any unauthorized purpose. Contravention will be prosecuted.


32-13.5-12-ex-OEx

REV	CHANGE DESCRIPTION	ECN	DATE	REVISED BY	APPROVED BY
-----	--------------------	-----	------	------------	-------------



This document is the absolute property of STEPHAN CraneSystems GmbH. This document must not be copied without the written permission of STEPHAN CraneSystems GmbH or its parent company STAHL CraneSystems GmbH. The information contained herein is confidential and is to be used for any unauthorized purpose. Contravention will be prosecuted.

Note! Additional options can affect weights and dimensions of some components.

Approved: _____		Place _____		Date _____		Company (Company stamp) _____	
Customer _____		Free size tolerance _____		Material _____		Quotation No. _____	
		Order No. _____ Reproduction and transmission to third parties is not permitted We reserve all rights under copyright for this drawing SHD EX 32t x 13.5m Hol:12m		Version DAS		NSL	
				TCHAR		Scale	
Company: STEPHAN CraneSystems GmbH		Drawn by 24.05.2019 DMA/XRS		Checked by _____		Released by _____	
Issue _____		N/a		Released _____		Replaced by _____	
				32-13.5-12-ex-OEx		Copy to _____	