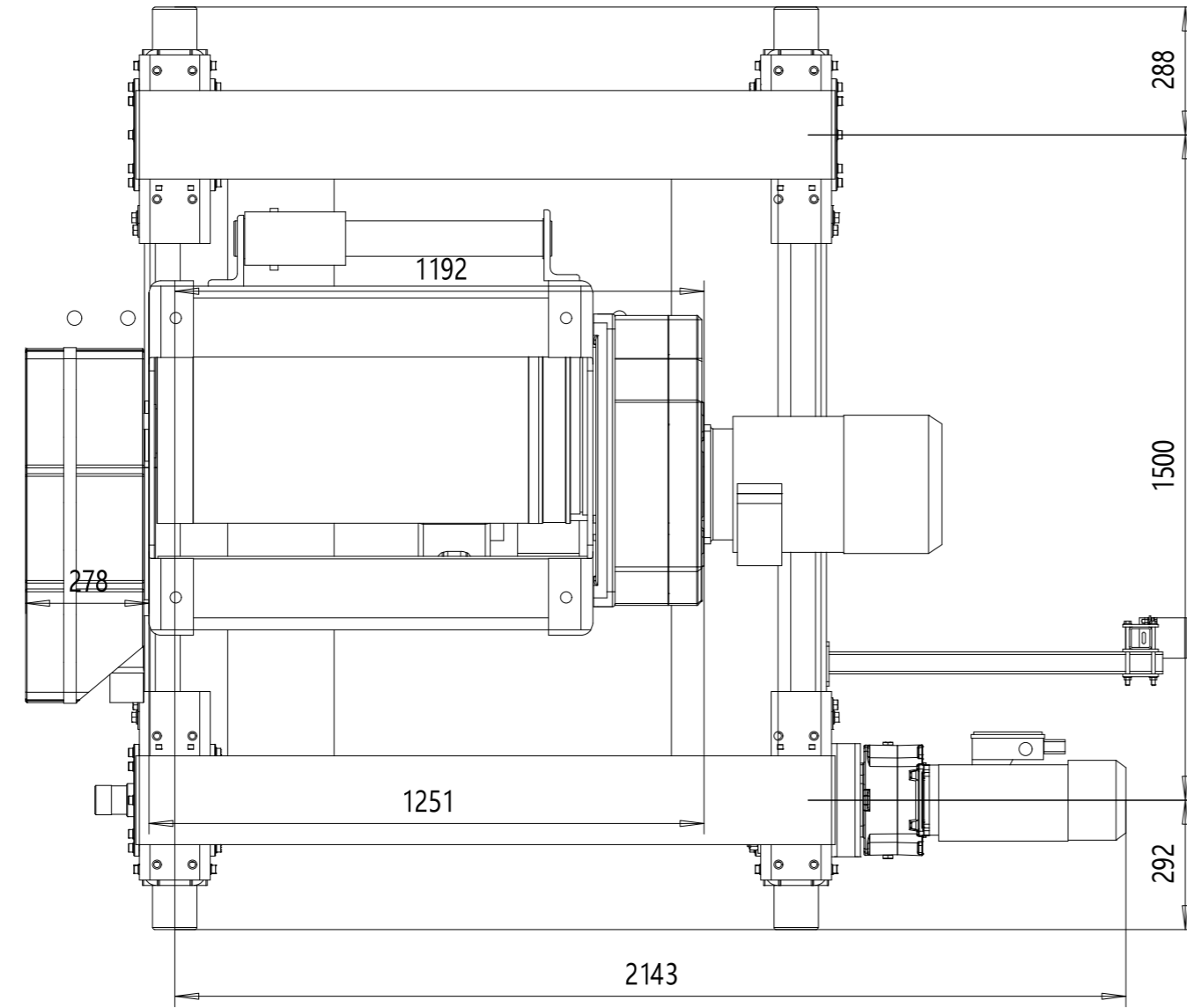
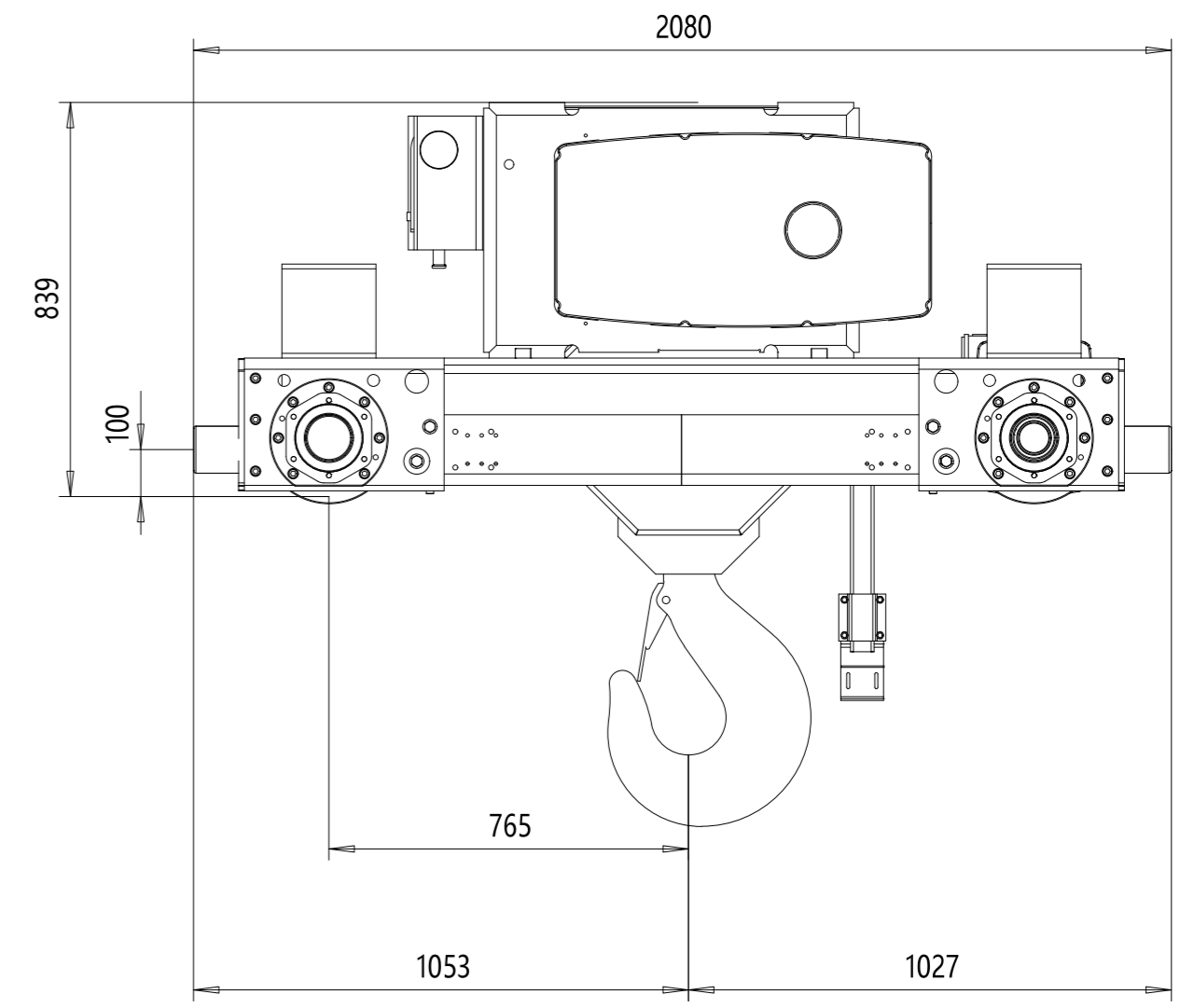
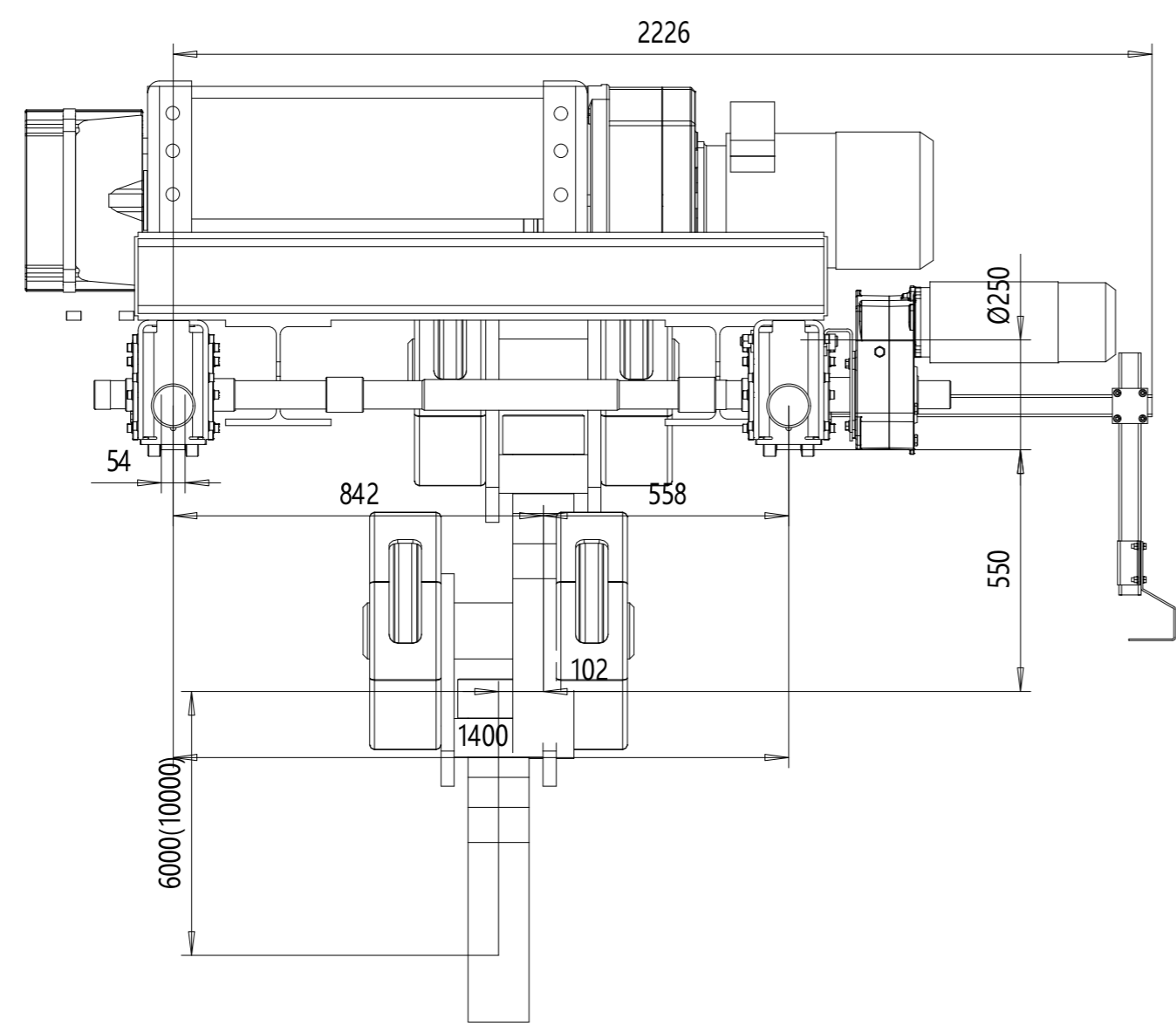


REV	CHANGE DESCRIPTION	ECN	DATE	REVISED BY	APPROVED BY
-----	--------------------	-----	------	------------	-------------

32-7.5-6-O



TECHNICAL DATA	
LOAD	: 32000 kg
LIFTING HEIGHT	: 6 m
HOISTING SPEED	: 2,5/0,42 m/min 2-speed
TRAVERSING SPEED	: 20/5 m/min 2-speed pole change
WEIGHT OF HOIST	: 2500 kg
HOIST GROUP	: 3,0 + 3,0 m (D_lin4) / ISO M4
MAIN / CONTROL VOLTAGE	: 380 / 48 V; 50 Hz

Approved: _____ Place _____ Date _____ Company (Company stamp)

Customer _____

	Free size tolerance	Quotation No.	Version DAS
	Material	Order No.	NSL
	Reproduction and transmission to third parties is not permitted We reserve all rights under copyright for this drawing SHD32t x 7.5m Hol:6m		TCHAR
Company: STEPHAN CraneSystems GmbH		Scale 1:15.0	Copy to
Drawn by: 31.05.2019 DMA/XRS Checked by: Released:	32-7.5-6-O		Replaced by
Issue	N/a	Released	

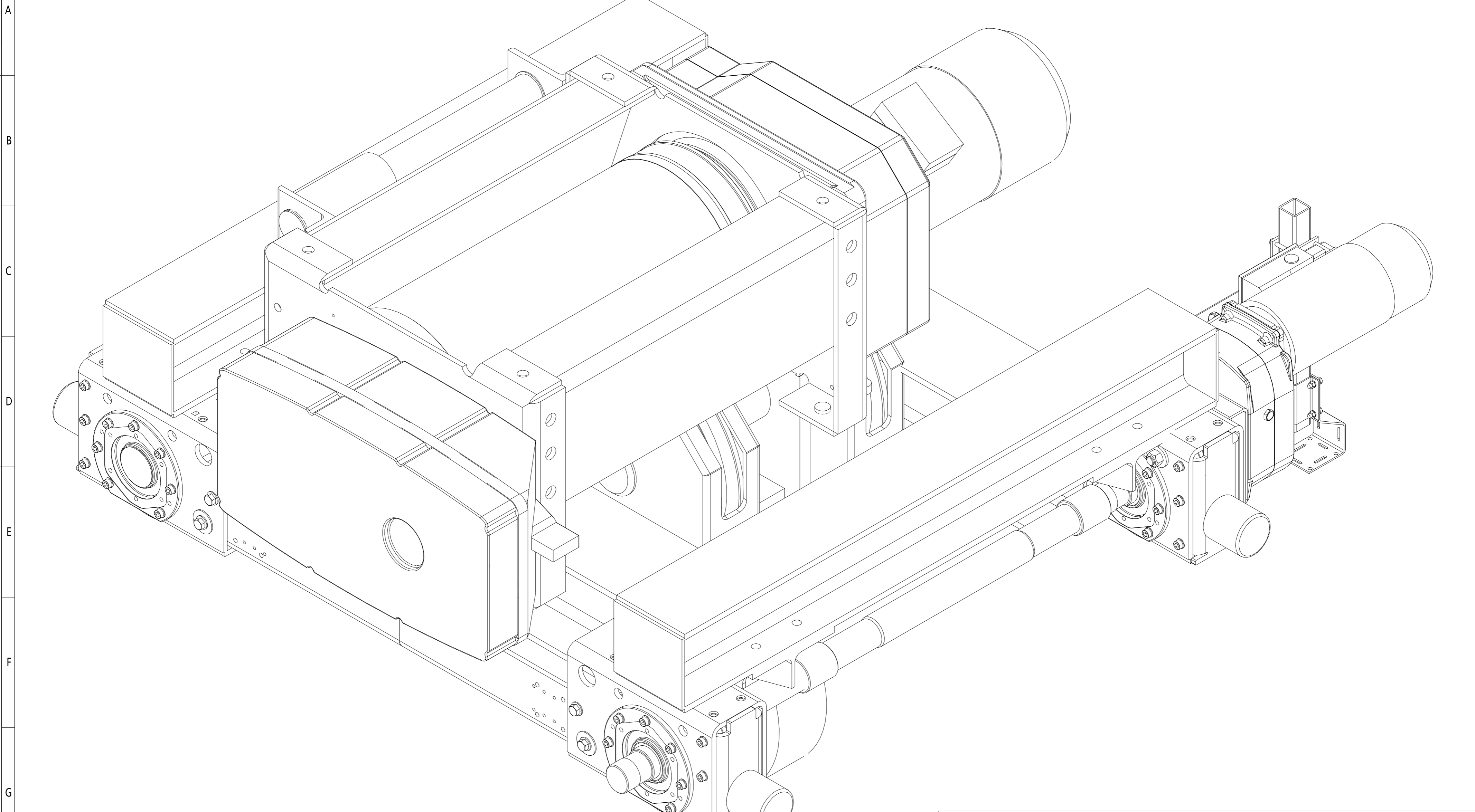
Note! Additional options can affect weights and dimensions of some components.

This document is the absolute property of STEPHAN CraneSystems GmbH. This document must not be copied without the written permission of STEPHAN CraneSystems GmbH or its parent company STAHL CraneSystems GmbH. The contents thereof must not be disclosed to a third party nor be used for any unauthorized purpose. Contamination will be prosecuted.

32-7.5-6-O

1 2 3 4 5 6 7 8 9 10 11 12

REV	CHANGE DESCRIPTION	ECN	DATE	REVISED BY	APPROVED BY
-----	--------------------	-----	------	------------	-------------



This document is the absolute property of STEPHAN CraneSystems GmbH. This document must not be copied without the written permission of STEPHAN CraneSystems GmbH or its parent company STAHL CraneSystems GmbH. The contents thereof must be disclosed to a third party nor be used for any unauthorized purpose. Concomitant will be prosecuted.

Approved: _____		Place _____		Date _____		Company (Company stamp) _____	
Customer _____							
	Free size tolerance		Quotation No.			Version DAS	
	Material		Order No.			NSL	
			Reproduction and transmission to third parties is not permitted We reserve all rights under copyright for this drawing			TCHAR	
		SHD32t x 7.5m Hol:6m			Scale		
		32-7.5-6-O			1:2.5		
Company: STEPHAN CraneSystems GmbH		Datum	Name		Copy to		
		Drawn by	DMA/XRS				
		Checked by					
		Released					
Issue	N/a			Replaced by			

Note! Additional options can affect weights and dimensions of some components.

1 2 3 4 5 6 7 8 9 10 11 12