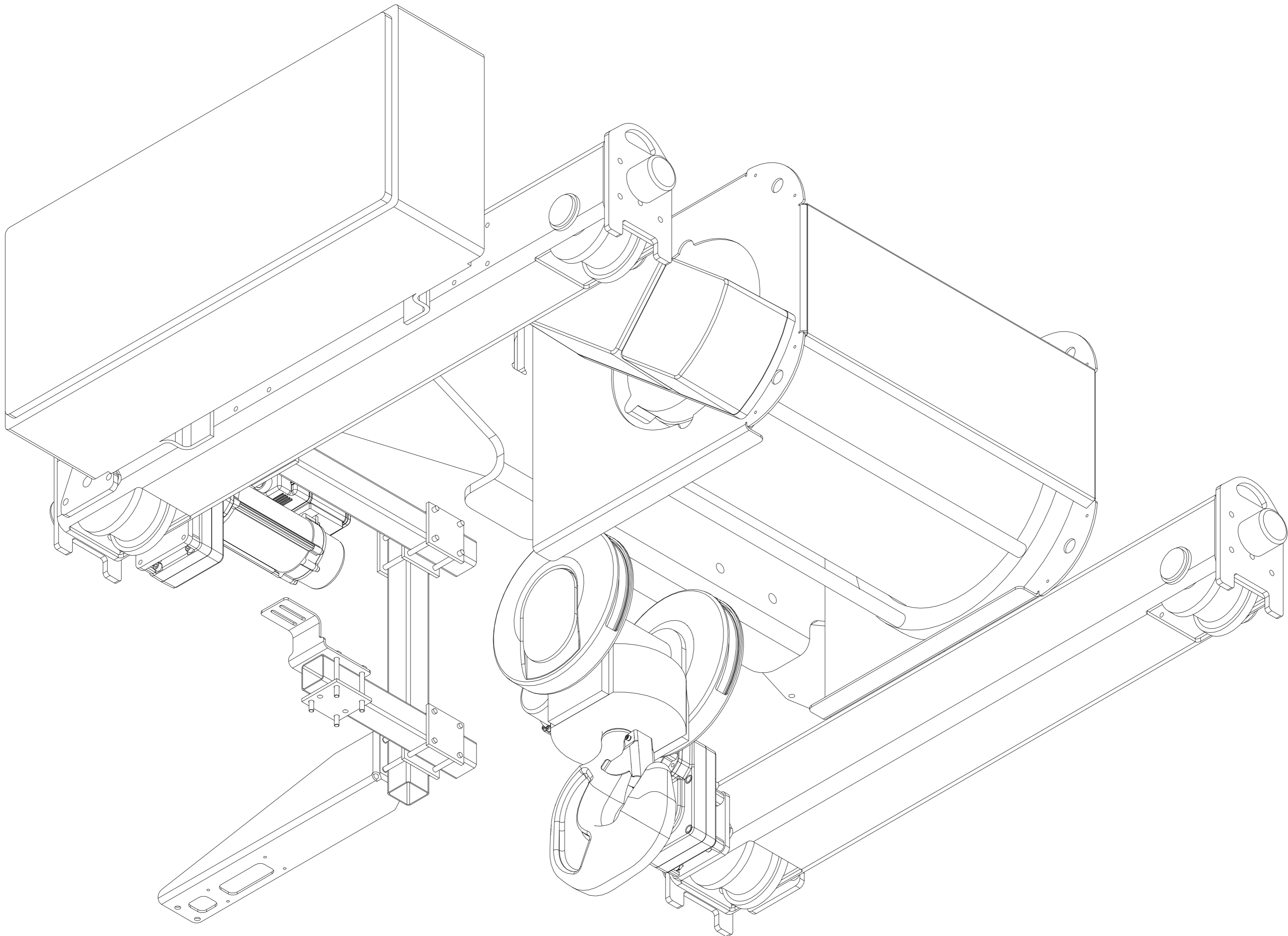




12.5-22.5-12-O

REV	CHANGE DESCRIPTION	ECN	DATE	REVISED BY	APPROVED BY
-----	--------------------	-----	------	------------	-------------



SWF Krantechnik reserves the right to alter or amend the above information without notice.  
 This document and the information contained herein, is the exclusive property of SWF Krantechnik and represents a non-patented  
 commercial product. Any reproduction, copying, or distribution of this document in any form, in any  
 manner whatsoever without the express written consent of SWF Krantechnik GmbH. Copyright © SWF Krantechnik. All rights reserved.

Pos	Amount	Description	Specification		
		DMA/SCG			DAS / 2.98.18
		Design	Chd	Appd	Ref drawing
		28.03.2019	BD04M4EEP5		
		Date			
		Schwäbisch Hall			
		Dept			
		<b>SWF</b> KRANTECHNIK			
			1:2.5		
			M-film		
			Issue		