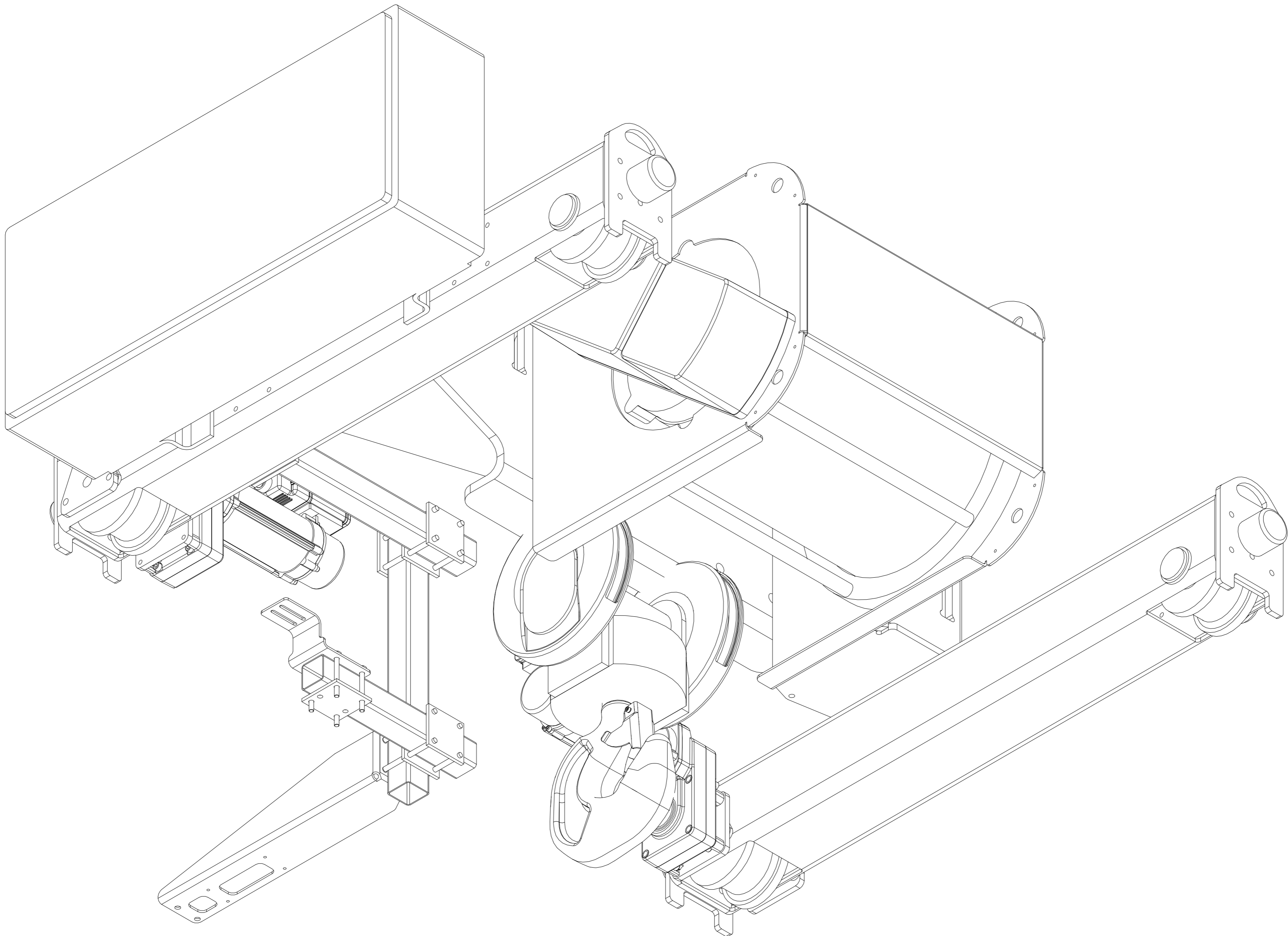


REV	CHANGE DESCRIPTION	ECN	DATE	REVISED BY	APPROVED BY
-----	--------------------	-----	------	------------	-------------

10-13.5-9-O



B

C

D

E

F

G

H

A

B

C

D

E

F

G

H

SWF Krantechnik reserves the right to alter or amend the above information without notice.
 This document and the information contained herein, is the exclusive property of SWF Krantechnik and represents a non-patented
 commercial and industrial process. Any disclosure or use of this information in any form or by any means, without the express written consent of SWF Krantechnik GmbH, Copyright © SWF Krantechnik. All rights reserved.

Pos	Amount	Description	Specification	
		DMA/SCG		DAS / 2.98.18
		Design	Chd	Appd
		10.04.2019		Ref drawing
		Date	Vx proj	
		Schwäbisch Hall	BD04M5DFP5	
		Dept		
		SWF KRANTECHNIK		
			1:2.5	
			M-film	
			Issue	