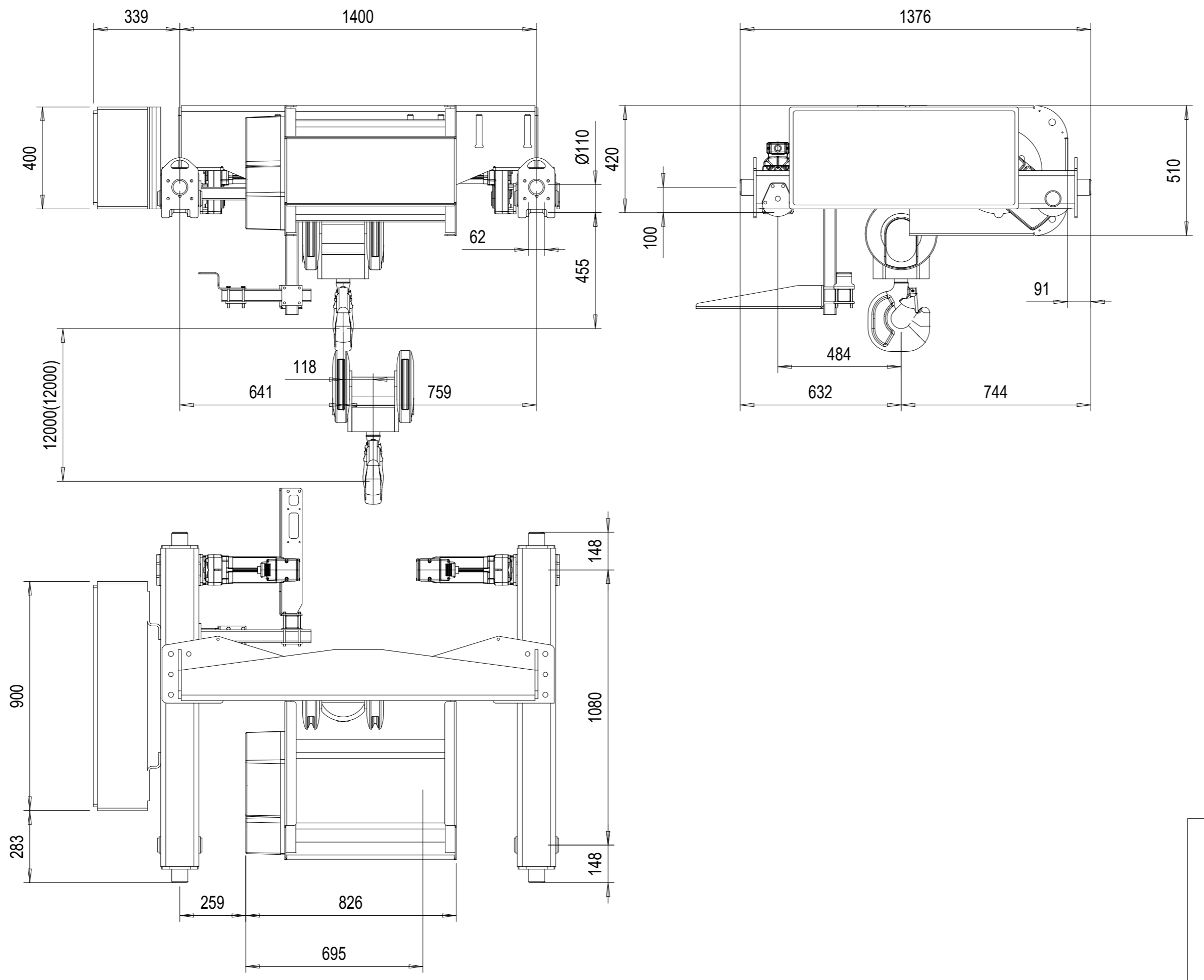


10-22.5-12-0

REV	CHANGE DESCRIPTION	ECN	DATE	REVISED BY	APPROVED BY
-----	--------------------	-----	------	------------	-------------



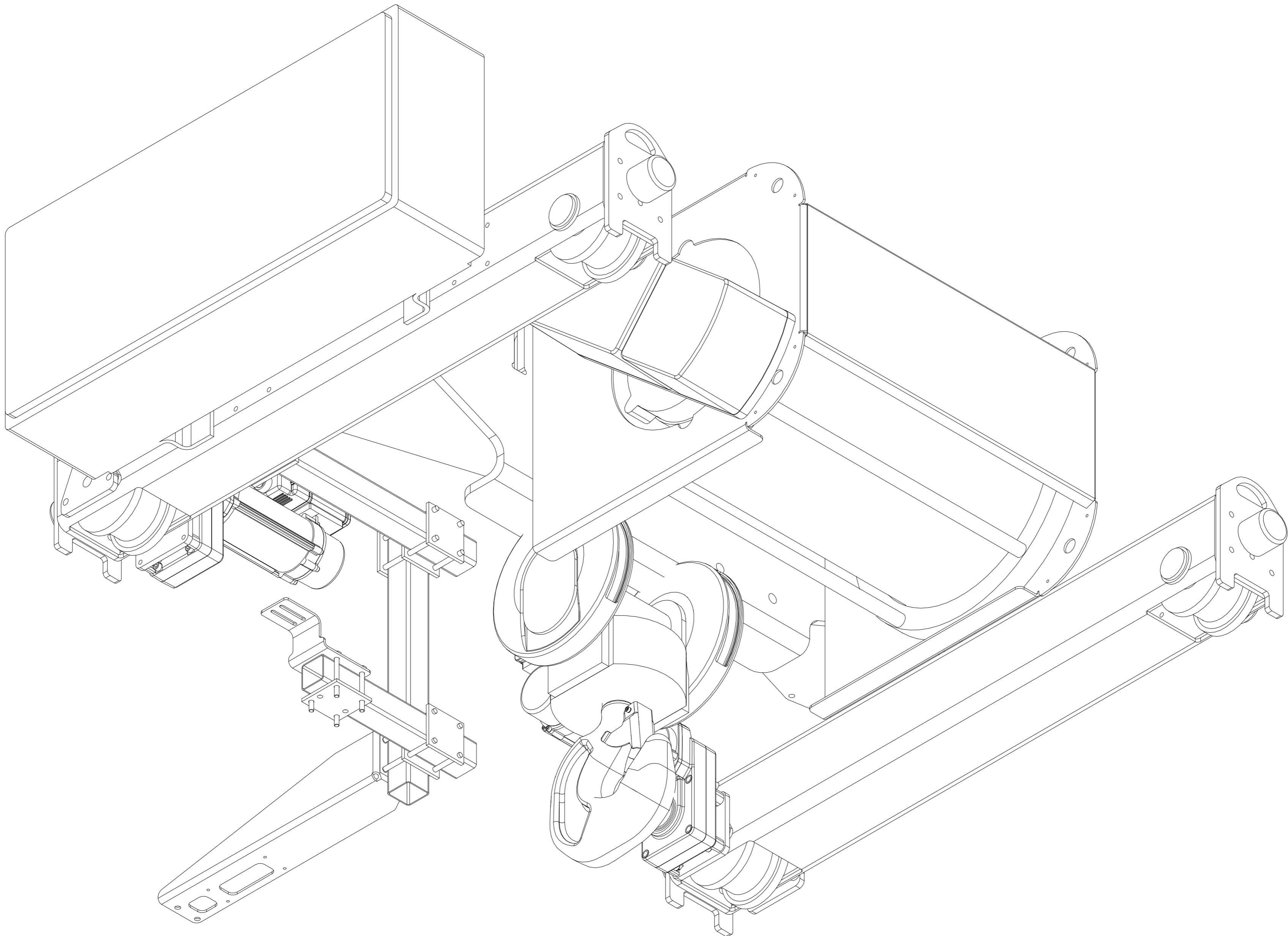
TECHNICAL DATA	
LOAD	: 10000 kg
LIFTING HEIGHT	: 12 m
HOISTING SPEED	: 5/0,83 m/min 2-speed
TRAVERSING SPEED	: 20/5 m/min 2-speed pole change
WEIGHT OF HOIST	: 720 kg
HOIST GROUP	: ISO M5
MAIN / CONTROL VOLTAGE	: 380 / 48 V; 50 Hz

Pos	Amount	Description	Specification
		DMA/SCG	DAS / 2.98.18
		Design	Vx proj
		28.03.2019	
		Date	
		Schwäbisch Hall	
		Dept	
		<b>SWF</b> KRANTECHNIK	
		BD04M5EFP5	
			1:15.0
			M-film
			Issue

SWF Krantechnik reserves the right to alter or amend the above information without notice.  
 This document and the information contained herein is the exclusive property of SWF Krantechnik and represents a non-public,  
 confidential and proprietary trade secret that may not be reproduced, disclosed to third parties, altered or otherwise employed in any  
 manner whatsoever without the express written consent of SWF Krantechnik GmbH. Copyright © SWF Krantechnik. All rights reserved.

10-22.5-12-0

REV	CHANGE DESCRIPTION	ECN	DATE	REVISED BY	APPROVED BY
-----	--------------------	-----	------	------------	-------------



SWF Krantechnik reserves the right to alter or amend the above information without notice.  
 This document and the information contained herein, is the exclusive property of SWF Krantechnik and represents a non-patented  
 commercial product. Any reproduction or use of this document or the information contained herein, in any  
 manner whatsoever without the express written consent of SWF Krantechnik GmbH. Copyright © SWF Krantechnik. All rights reserved.

Pos	Amount	Description	Specification		
		DMA/SCG			DAS / 2.98.18
		Design	Chd	Appd	Ref drawing
		28.03.2019	BD04M5EFP5		
		Date			
		Schwäbisch Hall			
		Dept			
		<b>SWF</b> KRANTECHNIK			
			1:2.5		
			M-film		
			Issue		