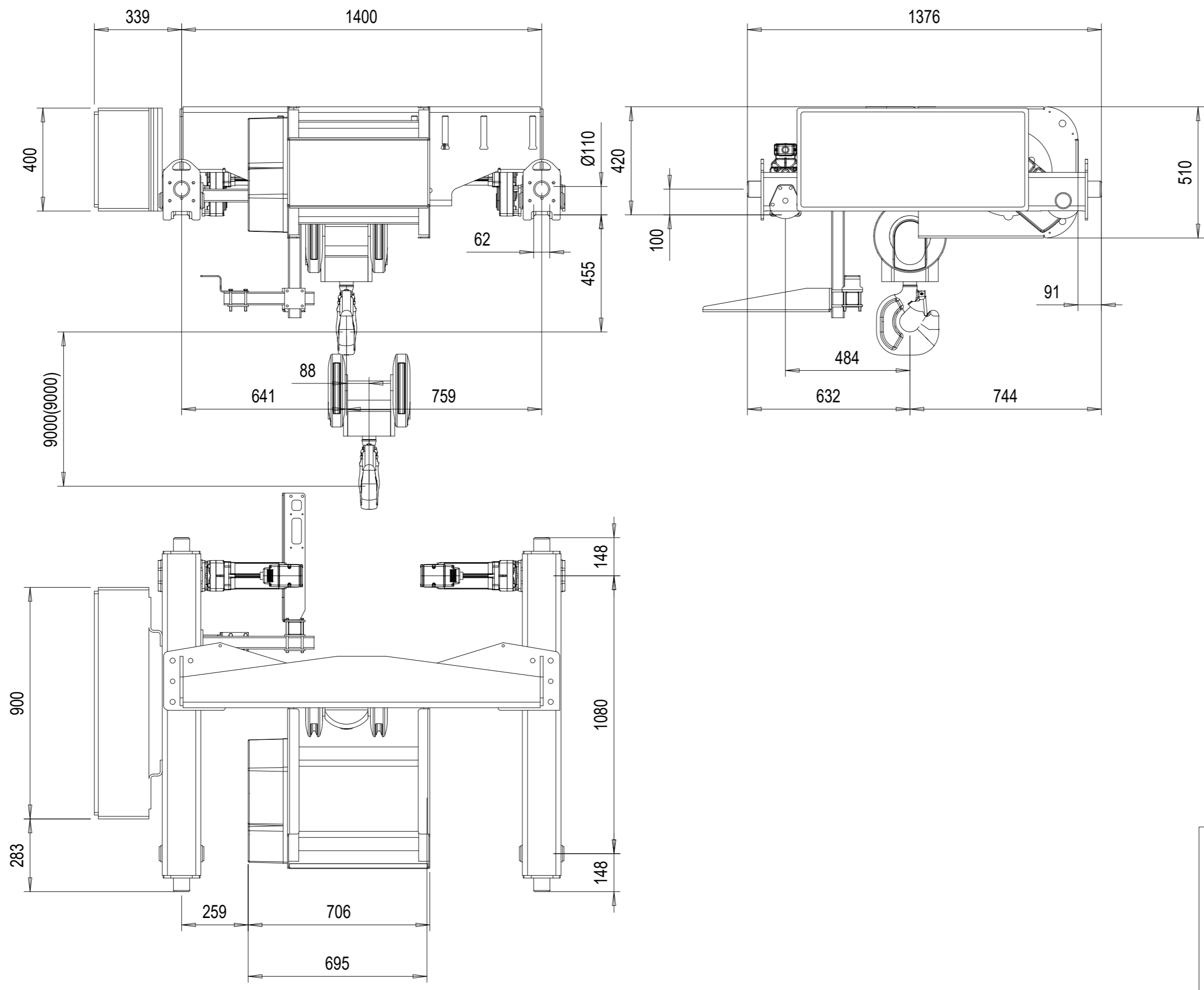


8-13.5.9-O

REV	CHANGE DESCRIPTION	ECN	DATE	REVISED BY	APPROVED BY
-----	--------------------	-----	------	------------	-------------



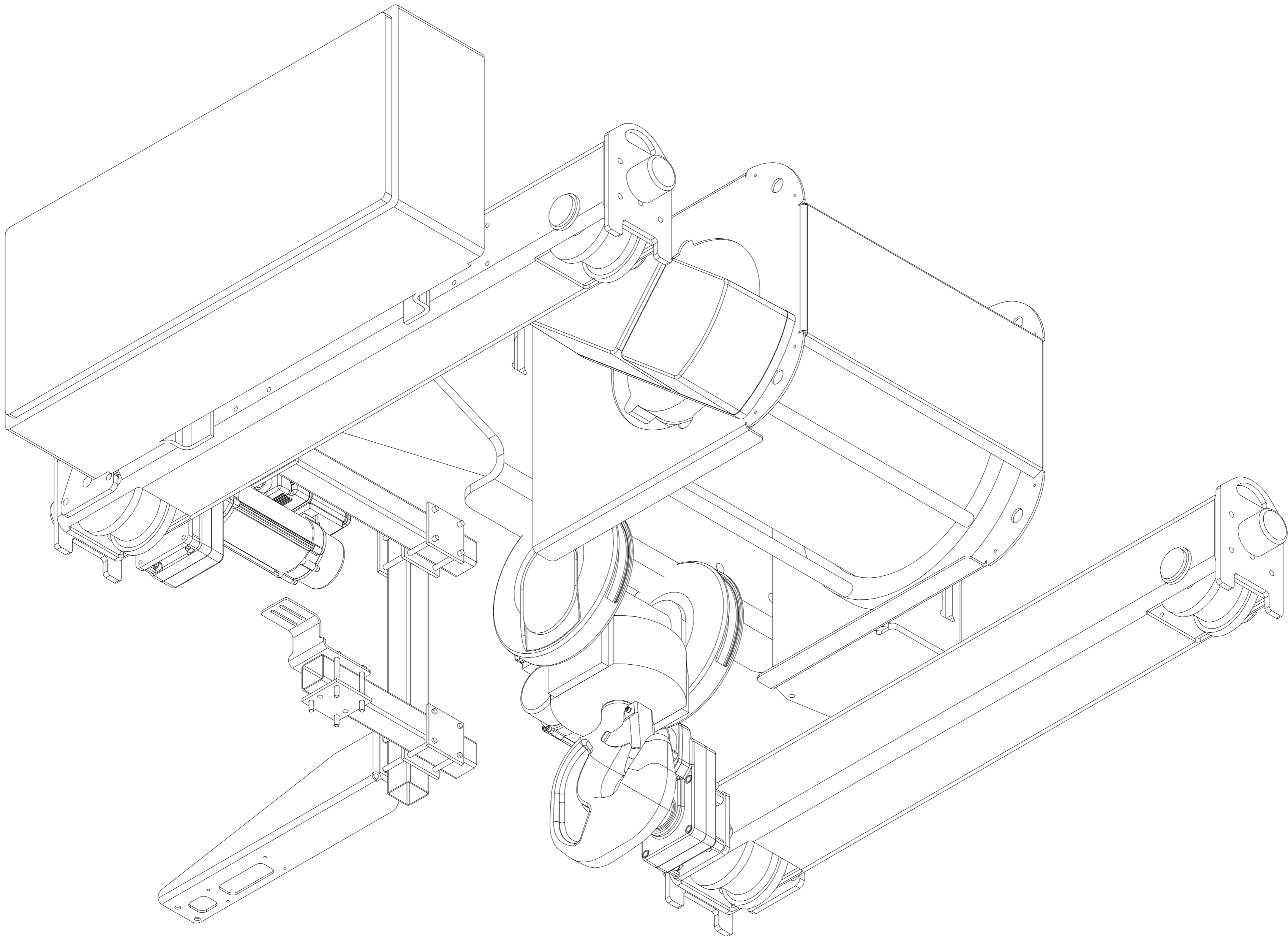
TECHNICAL DATA	
LOAD	: 8000 kg
LIFTING HEIGHT	: 9 m
HOISTING SPEED	: 5/0,83 m/min 2-speed
TRAVERSING SPEED	: 20/5 m/min 2-speed pole change
WEIGHT OF HOIST	: 670 kg
HOIST GROUP	: ISO M6
MAIN / CONTROL VOLTAGE	: 380 / 48 V; 50 Hz

Pos	Amount	Description	Specification
		DMA/SCG	DAS / 2.98.18
		Design	Vx proj
		28.03.2019	
		Date	
		Schwäbisch Hall	
		Dept	
		SWF KRANTECHNIK	
		BD04M6DFP5	
			1:15.0
			M-film
			Issue

SWF Krantechnik reserves the right to alter or amend the above information without notice. This document and the information contained herein is the exclusive property of SWF Krantechnik and represents a non-public, confidential and proprietary trade secret that may not be reproduced, disclosed to third parties, altered or otherwise employed in any manner whatsoever without the express written consent of SWF Krantechnik GmbH. Copyright © SWF Krantechnik. All rights reserved.

8-13.5-9-O

REV	CHANGE DESCRIPTION	ECN	DATE	REVISED BY	APPROVED BY
-----	--------------------	-----	------	------------	-------------



SWF Krantechnik reserves the right to alter or amend the above information without notice.
 This document and the information contained herein, is the exclusive property of SWF Krantechnik and represents a non-patented
 commercial product. Any reproduction, distribution, or disclosure of this information in any form or by any means, without the
 express written consent of SWF Krantechnik GmbH, Copyright © SWF Krantechnik. All rights reserved.

Pos	Amount	Description	Specification	
		DMA/SCG		DAS / 2.98.18
		Design	Chd	Appd
		28.03.2019		Ref drawing
		Date	Vx proj	
		Schwäbisch Hall	BD04M6DFP5	
		Dept		
		SWF KRANTECHNIK		
			1:2.5	
			M-film	
			Issue	