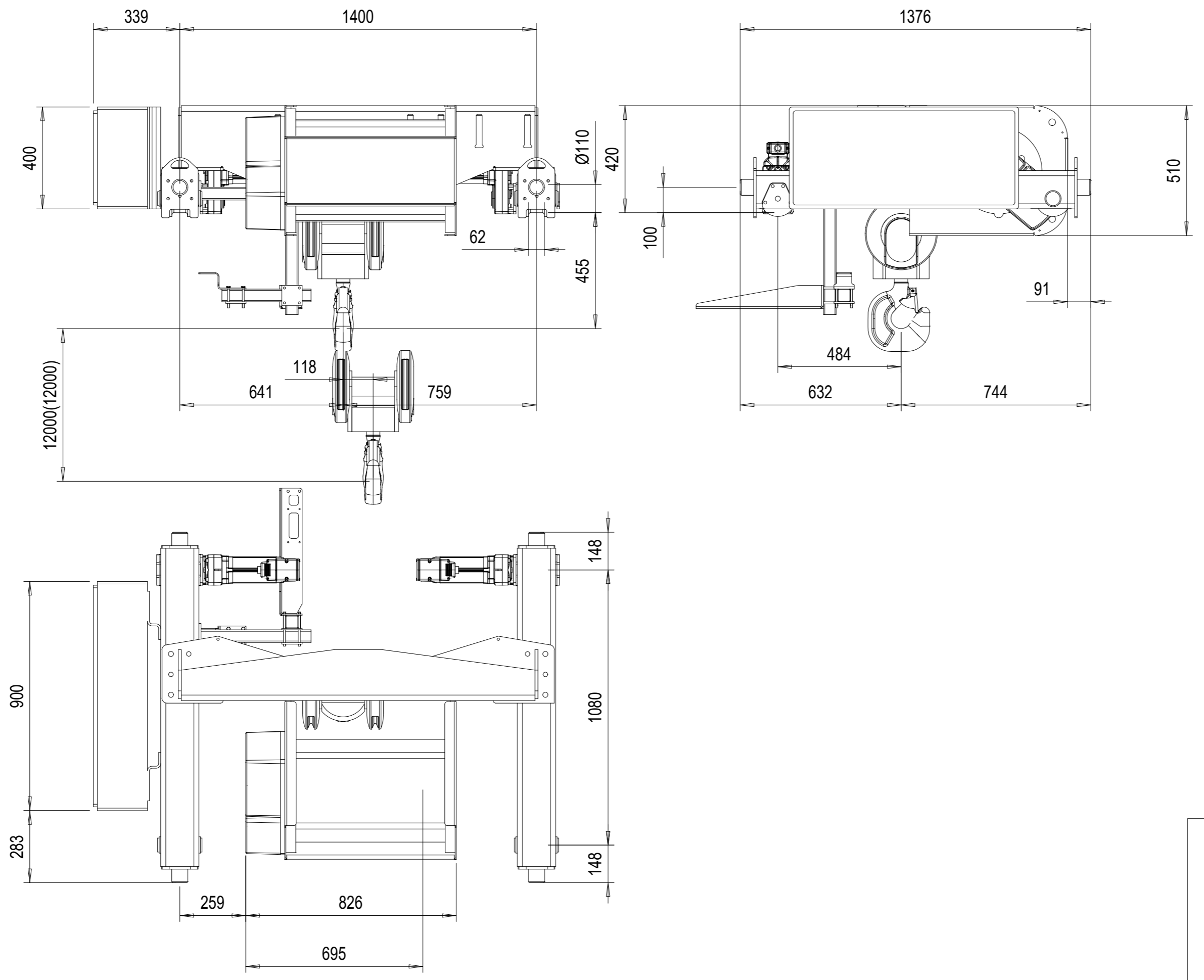


8-16.5-12-0

| REV | CHANGE DESCRIPTION | ECN | DATE | REVISED BY | APPROVED BY |
|-----|--------------------|-----|------|------------|-------------|
|-----|--------------------|-----|------|------------|-------------|



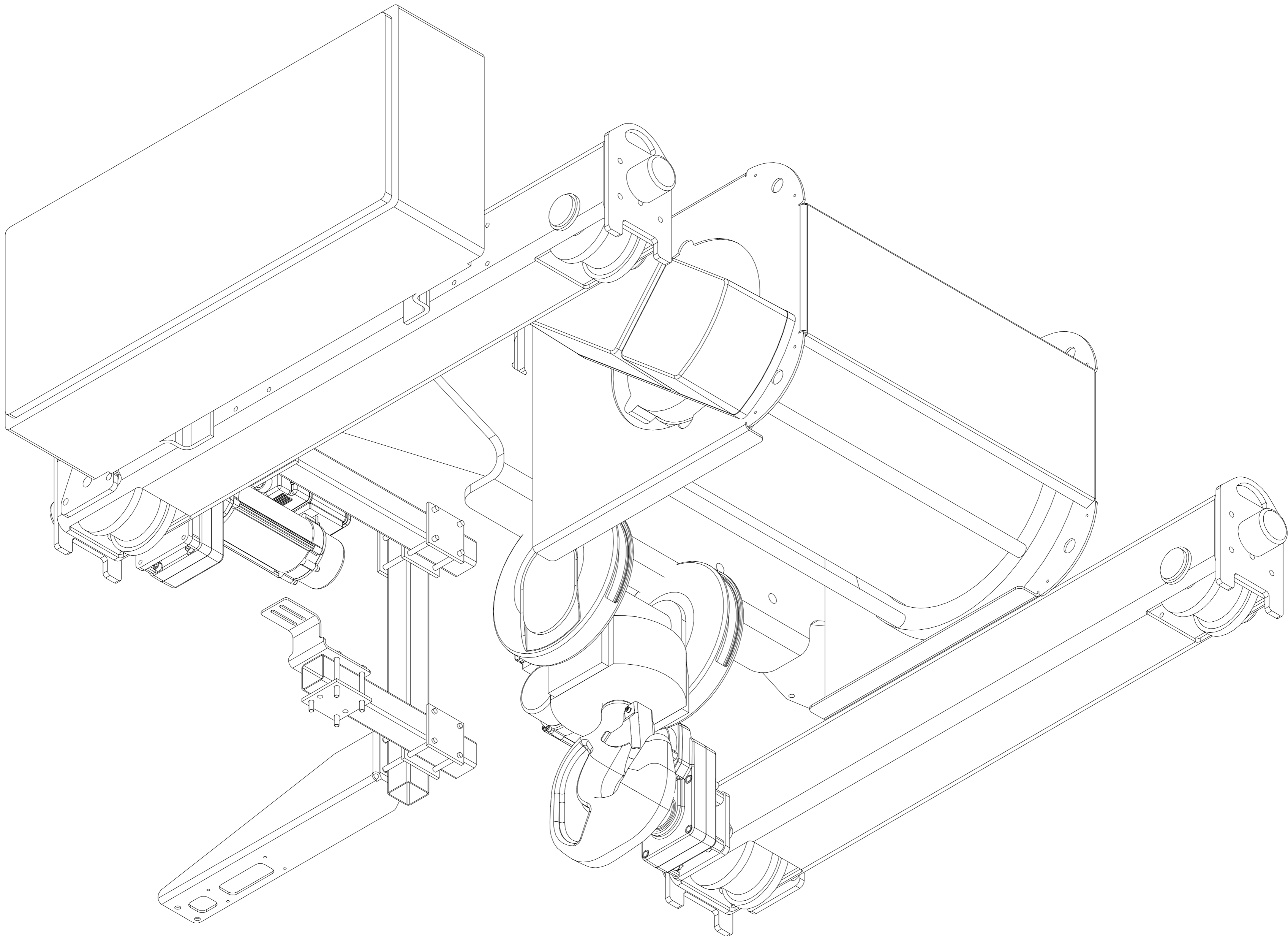
| TECHNICAL DATA | |
|------------------------|----------------------------------|
| LOAD | : 8000 kg |
| LIFTING HEIGHT | : 12 m |
| HOISTING SPEED | : 5/0,83 m/min 2-speed |
| TRAVERSING SPEED | : 20/5 m/min 2-speed pole change |
| WEIGHT OF HOIST | : 720 kg |
| HOIST GROUP | : ISO M6 |
| MAIN / CONTROL VOLTAGE | : 380 / 48 V; 50 Hz |

| Pos | Amount | Description | Specification |
|-----|--------|---------------------------|---------------|
| | | DMA/SCG | DAS / 2.98.18 |
| | | Design | Vx proj |
| | | 28.03.2019 | |
| | | Date | |
| | | Schwäbisch Hall | |
| | | Dept | |
| | | SWF KRANTECHNIK | |
| | | BD04M6EFP5 | |
| | | | 1:15.0 |
| | | | M-film |
| | | | Issue |

SWF Krantechnik reserves the right to alter or amend the above information without notice. This document and the information contained herein is the exclusive property of SWF Krantechnik and represents a non-public, confidential and proprietary trade secret that may not be reproduced, disclosed to third parties, altered or otherwise employed in any manner whatsoever without the express written consent of SWF Krantechnik GmbH. Copyright © SWF Krantechnik. All rights reserved.

| REV | CHANGE DESCRIPTION | ECN | DATE | REVISED BY | APPROVED BY |
|-----|--------------------|-----|------|------------|-------------|
|-----|--------------------|-----|------|------------|-------------|

8-16.5-12-O



B

C

D

E

F

G

H

A

B

C

D

E

F

G

H

SWF Krantechnik reserves the right to alter or amend the above information without notice.
 This document and the information contained herein, is the exclusive property of SWF Krantechnik and represents a non-patented
 commercial product. Any reproduction or use of this document without the express written consent of SWF Krantechnik, in any
 manner whatsoever without the express written consent of SWF Krantechnik GmbH. Copyright © SWF Krantechnik. All rights reserved.

| Pos | Amount | Description | Specification | |
|-----|--------|---------------------------|---------------|---------------|
| | | DMA/SCG | | DAS / 2.98.18 |
| | | Design | Chd | Appd |
| | | 28.03.2019 | | Ref drawing |
| | | Date | BD04M6EFP5 | |
| | | Schwäbisch Hall | | 1:2.5 |
| | | Dept | | M-film |
| | | SWF KRANTECHNIK | | Issue |