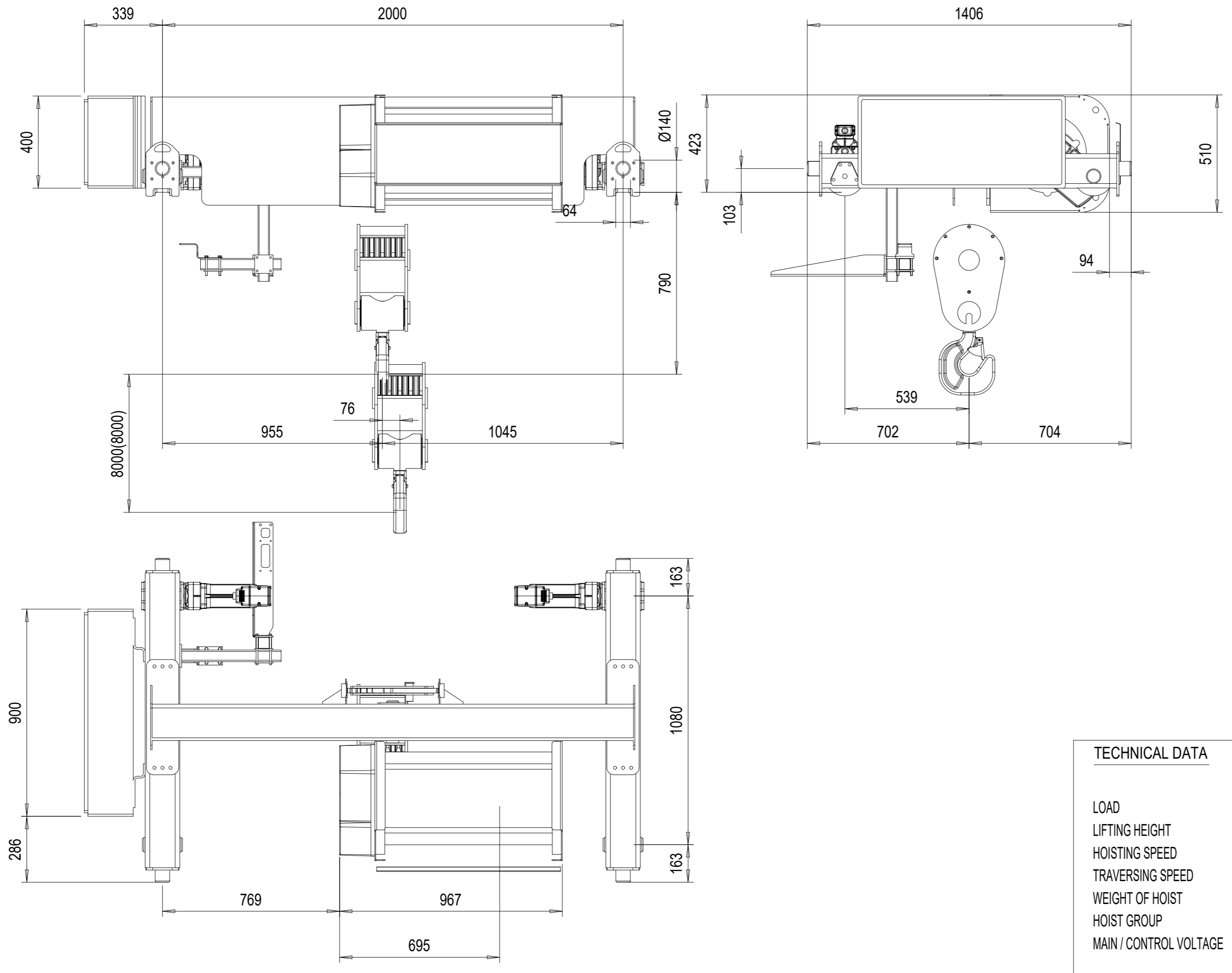


20-13.5-8-O

REV	CHANGE DESCRIPTION	ECN	DATE	REVISED BY	APPROVED BY
-----	--------------------	-----	------	------------	-------------



TECHNICAL DATA

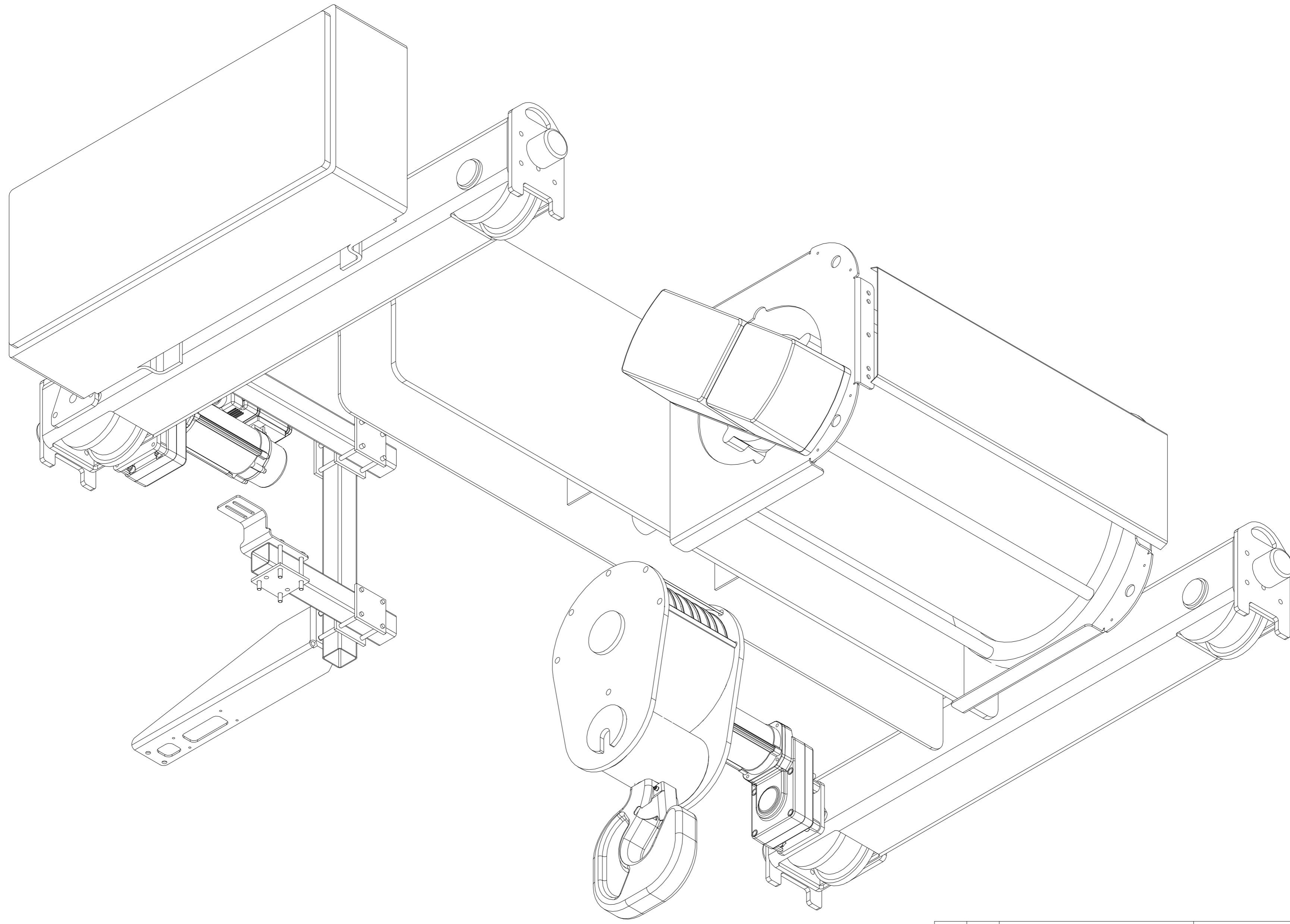
LOAD	: 20000 kg
LIFTING HEIGHT	: 8 m
HOISTING SPEED	: 2,5/0,42 m/min 2-speed
TRAVERSING SPEED	: 24/6 m/min 2-speed pole change
WEIGHT OF HOIST	: 890 kg
HOIST GROUP	: ISO M4
MAIN / CONTROL VOLTAGE	: 380 / 48 V; 50 Hz

Pos	Amount	Description	Specification
		DMA/SCG	
		Design	
		28.03.2019	
		Date	
		Schwäbisch Hall	
		Dept	
		SWF KRANTECHNIK	
		Chd	DAS / 2.98.18
		Appd	Vx proj
		Ref drawing	
		BD08M4FFP5	
			1:15.0
			M-film
			Issue

SWF Krantechnik reserves the right to alter or amend the above information without notice. This document and the information contained herein is the exclusive property of SWF Krantechnik and represents a non-public, confidential and proprietary trade secret that may not be reproduced, disclosed to third parties, altered or otherwise employed in any manner whatsoever without the express written consent of SWF Krantechnik GmbH. Copyright © SWF Krantechnik. All rights reserved.

REV	CHANGE DESCRIPTION	ECN	DATE	REVISED BY	APPROVED BY
-----	--------------------	-----	------	------------	-------------

20-13.5-8-O



B

C

D

E

F

G

H

A

B

C

D

E

F

G

H

SWF Krantechnik reserves the right to alter or amend the above information without notice.
 This document and the information contained herein, is the exclusive property of SWF Krantechnik and represents a non-patented
 commercial and industrial process. Any reproduction, copying, distribution, or disclosure of this information in any
 manner whatsoever without the express written consent of SWF Krantechnik GmbH. Copyright © SWF Krantechnik. All rights reserved.

Pos	Amount	Description	Specification	
		DMA/SCG		DAS / 2.98.18
		Design	Chd	Appd
		28.03.2019		Ref drawing
		Date	BD08M4FFP5	
		Schwäbisch Hall		1:2.5
		Dept		M-film
		SWF KRANTECHNIK		Issue