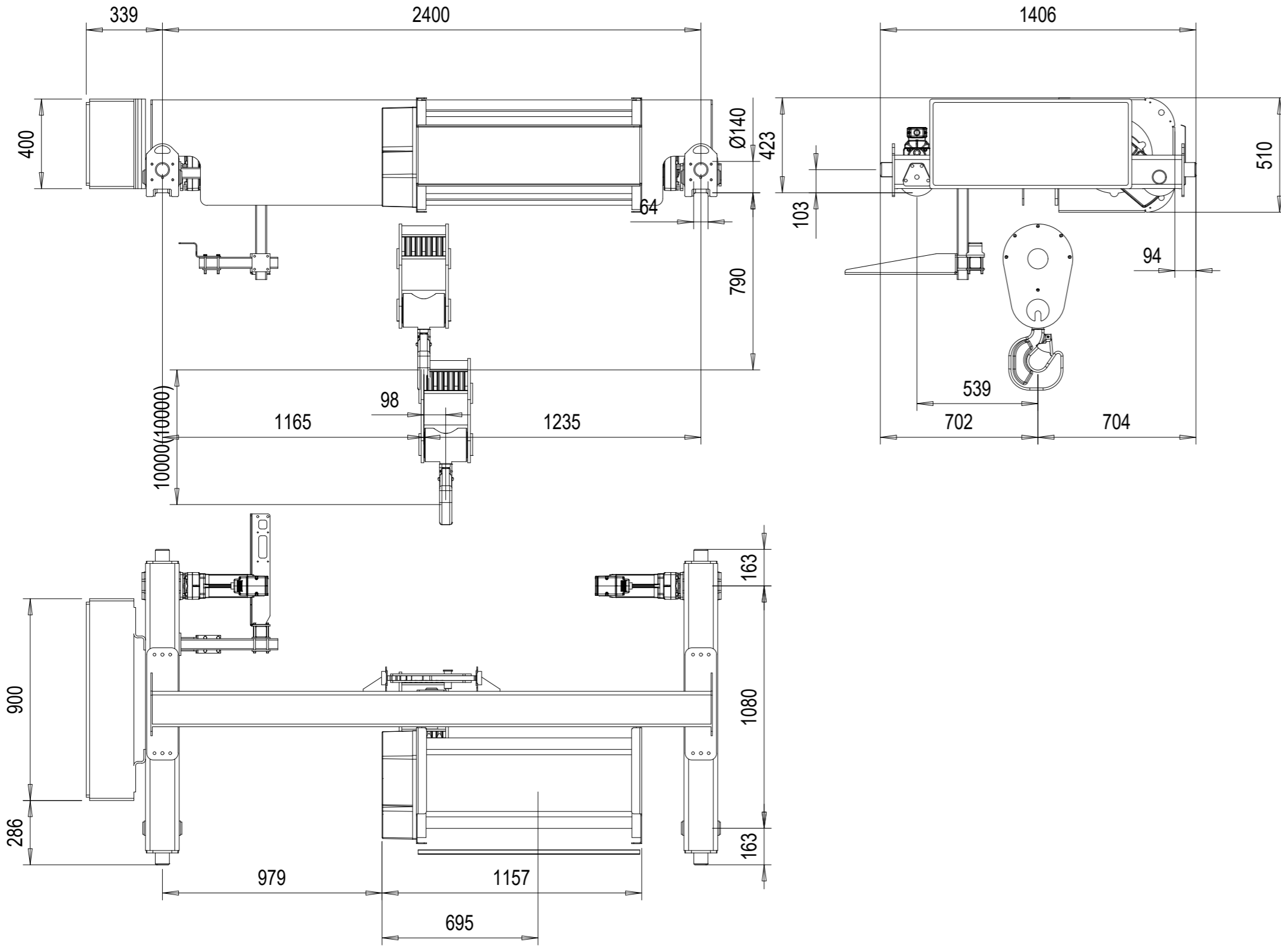


16-22.5-10-0

| REV | CHANGE DESCRIPTION | ECN | DATE | REVISED BY | APPROVED BY |
|-----|--------------------|-----|------|------------|-------------|
|-----|--------------------|-----|------|------------|-------------|



TECHNICAL DATA

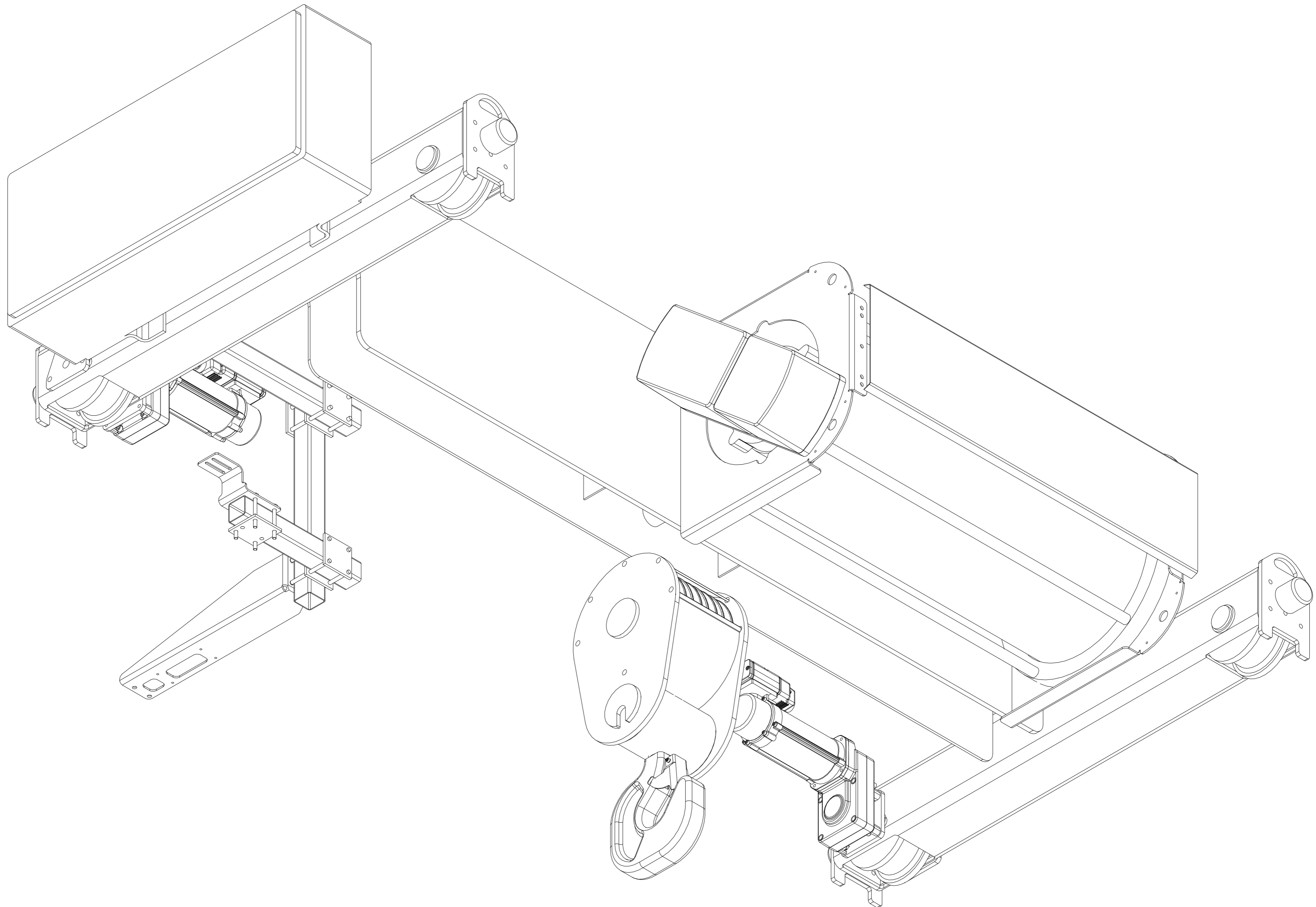
| | |
|------------------------|----------------------------------|
| LOAD | : 16000 kg |
| LIFTING HEIGHT | : 10 m |
| HOISTING SPEED | : 2,5/0,42 m/min 2-speed |
| TRAVERSING SPEED | : 24/6 m/min 2-speed pole change |
| WEIGHT OF HOIST | : 980 kg |
| HOIST GROUP | : ISO M5 |
| MAIN / CONTROL VOLTAGE | : 380 / 48 V; 50 Hz |

| Pos | Amount | Description | Specification |
|-----|--------|---------------------------|---------------|
| | | DMA/SCG | |
| | | Design | Chd |
| | | 03.04.2019 | Appd |
| | | Date | Ref drawing |
| | | Schwäbisch Hall | DAS / 2.98.18 |
| | | Dept | Vx proj |
| | | SWF KRANTECHNIK | BD08M5GFP5 |
| | | | 1:20 |
| | | | M-film |
| | | | Issue |

SWF Krantechnik reserves the right to alter or amend the above information without notice.
 This document and the information contained herein is the exclusive property of SWF Krantechnik and represents a non-public,
 confidential and proprietary trade secret that may not be reproduced, disclosed to third parties, altered or otherwise employed in any
 manner whatsoever without the express written consent of SWF Krantechnik GmbH. Copyright © SWF Krantechnik. All rights reserved.

16-22.5-10-0

| REV | CHANGE DESCRIPTION | ECN | DATE | REVISED BY | APPROVED BY |
|-----|--------------------|-----|------|------------|-------------|
|-----|--------------------|-----|------|------------|-------------|



SWF Krantechnik reserves the right to alter or amend the above information without notice.
 This document and the information contained herein, is the exclusive property of SWF Krantechnik and represents a non-patented
 commercial and industrial process. Any disclosure or use of the information contained herein, in any form or by any means,
 without the express written consent of SWF Krantechnik GmbH, Copyright © SWF Krantechnik. All rights reserved.

| | | | | | |
|-----|--------|---------------------------|---------------|------|---------------|
| Pos | Amount | Description | Specification | | |
| | | DMA/SCG | | | DAS / 2.98.18 |
| | | Design | Chd | Appd | Ref drawing |
| | | 03.04.2019 | BD08M5GFP5 | | |
| | | Date | | | |
| | | Schwäbisch Hall | | | |
| | | Dept | | | |
| | | SWF KRANTECHNIK | | | |
| | | | 1:2.5 | | |
| | | | M-film | | |
| | | | Issue | | |