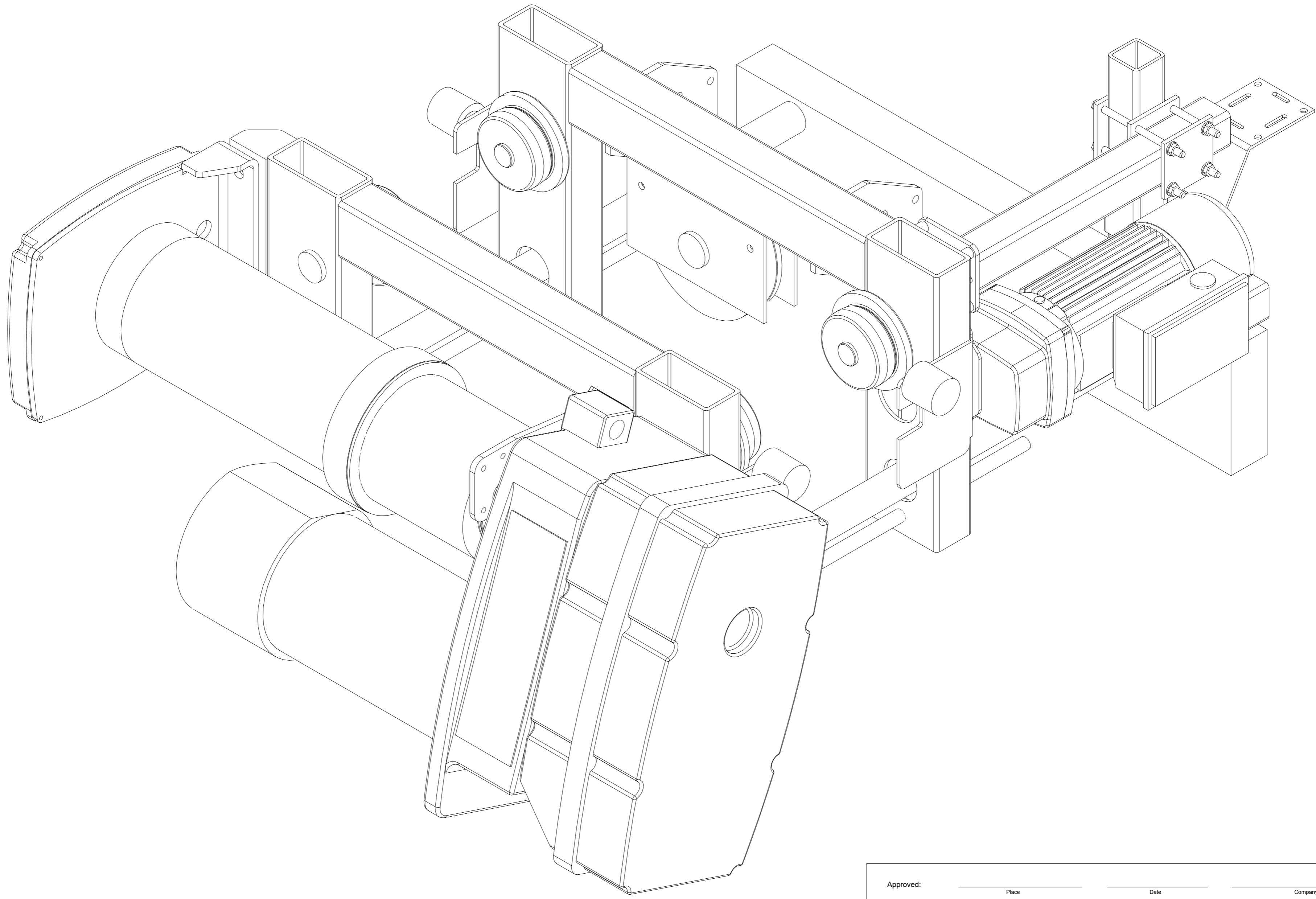


overhead 5-4.5-6-O

REV	CHANGE DESCRIPTION	ECN	DATE	REVISED BY	APPROVED BY
-----	--------------------	-----	------	------------	-------------



This document is the absolute property of STEPHAN CraneSystems GmbH. This document must not be copied without the written permission of STEPHAN CraneSystems GmbH or its parent company STAHL CraneSystems GmbH. This document is intended for use by the customer and is not to be used for any unauthorized purpose. Contravention will be prosecuted.

Note! Additional options can affect weights and dimensions of some components.

Approved: _____		Place _____		Date _____		Company (Company stamp) _____	
Customer _____		Free size tolerance _____		Material _____		Quotation No. _____	
		SHS5t x 4.5m Hol:6m		Version DAS		NSL	
				TCHAR			
Company: STEPHAN CraneSystems GmbH		Datum		Name		Scale	
Drawn by 28.10.2018 DMA/XRS		Checked by		Released		1:2.5	
Issue		N/a		Replaced by		Copy to	

1 2 3 4 5 6 7 8 9 10 11 12

A B C D E F G H

A B C D E F G H

1 2 3 4 5 6 7 8 9 10 11 12