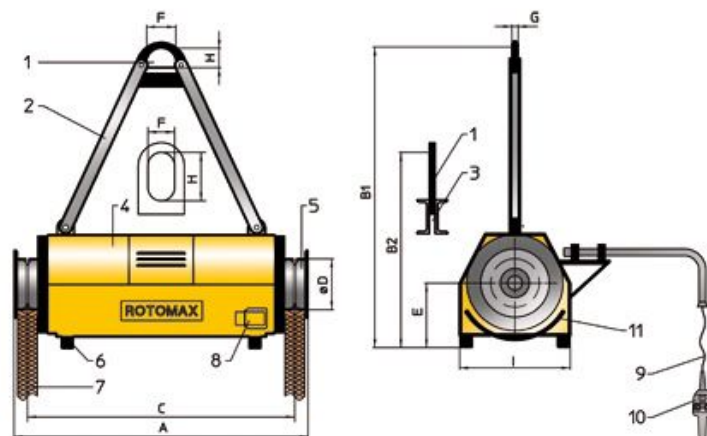


## Кантователь ROTOMAX R



Type R	Capacity [kg]	A [mm]	B1 [mm]	B2 [mm]	C [mm]	D [mm]	E [mm]	F [mm]	G [mm]	H [mm]	I [mm]	Power / DC [KW / %]	TM <sup>1</sup> [Nm]	TS <sup>2</sup> [m/min]	W <sup>3</sup> [kg]
1000/0.6	1000	710	770	-	600	210	265	120	25	80	455	0.4/10	825	2.5	190
1000/1.1	1000	1210	1240	805	1100	210	265	120	25	80	455	0.4/10	825	2.5	235
1000/2.0	1000	2110	-	865	2000	210	265	120	25	200	455	0.4/10	825	2.5	450
2000/0.6	2000	710	770	-	600	210	265	120	25	80	455	0.4/10	825	2.5	190
2000/1.1	2000	1210	1240	805	1100	210	265	120	25	80	455	0.4/10	825	2.5	235
2000/2.0	2000	2110	-	865	2000	210	265	120	25	200	455	0.4/10	825	2.5	450
3000/0.6	3000	710	770	-	600	210	265	120	25	80	455	0.4/10	825	2.5	190
3000/1.1	3000	1210	1240	805	1100	210	265	120	25	80	455	0.4/10	825	2.5	235
3000/2.0	3000	2110	-	865	2000	210	265	120	25	200	455	0.4/10	825	2.5	450
5000/0.6	5000	710	770	-	600	210	265	120	25	80	455	0.7/10	1650	2.5	200
5000/1.1	5000	1210	1240	805	1100	210	265	120	25	80	455	0.7/10	1650	2.5	255
5000/2.0	5000	2110	-	865	2000	210	265	120	25	200	455	0.7/10	1650	2.5	470
10000/1.5	10000	1665	1880	1165	1500	400	545	100	60	160	635	0.75/40	3200	2.8	1000
10000/2.0	10000	2165	-	1225	2000	400	545	100	60	160	635	0.75/40	3200	2.8	1150
10000/3.0	10000	3165	-	1265	3000	400	545	100	60	160	635	0.75/40	3200	2.8	1350
20000/2.0	20000	2415	1650	1355	2000	400	545	150	50	240	635	1.5/40	6400	2.8	1500
20000/3.0	20000	3415	-	1455	3000	400	545	150	50	240	635	1.5/40	6400	2.8	1900
25000/2.5	25000	2840	-	1765	2500	400	660	150	60	320	920	2.2/40	10500	2.6	2500
30000/3.0	30000	3340	-	1765	3000	400	660	150	60	320	920	2.2/40	10500	2.6	2650

<sup>1</sup> – Вращающий момент

<sup>2</sup> – Скорость вращения

<sup>3</sup> – Вес (без ремней)