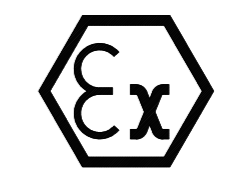
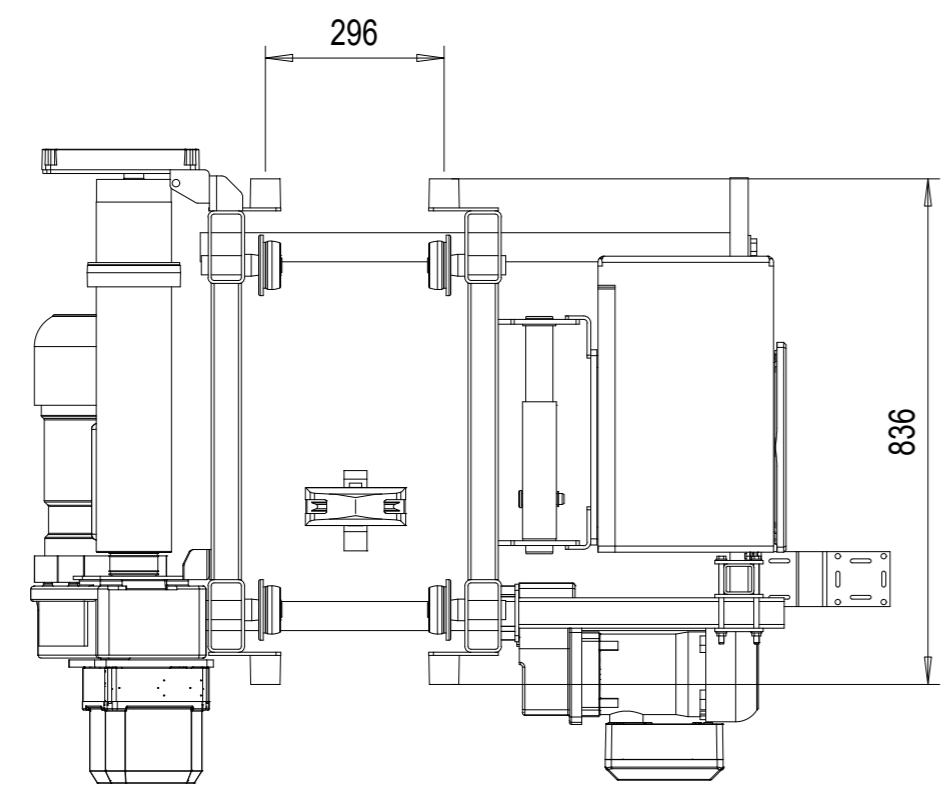
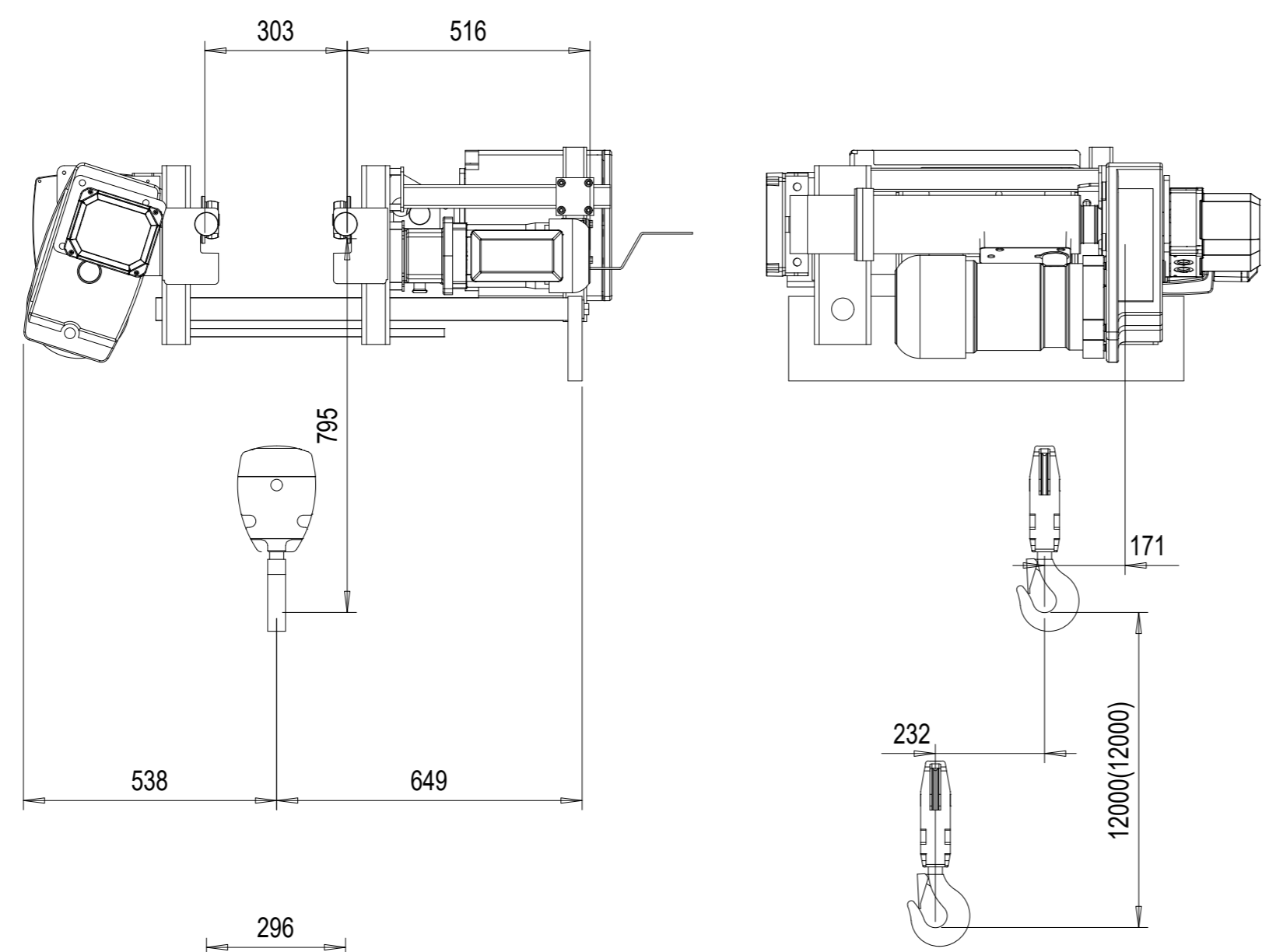


1-10.5-12-ex-OEx

REV	CHANGE DESCRIPTION	ECN	DATE	REVISED BY	APPROVED BY
-----	--------------------	-----	------	------------	-------------



Marking : Ex II 2G Ex de IIB T4 Gb/Ex II 2G ck IIB T4  
 Ambient temperature : -10°...40° C

**TECHNICAL DATA**

LOAD	: 1000 kg
LIFTING HEIGHT	: 12 m
HOISTING SPEED	: 9/1,5 m/min 2-speed
TRAVERSING SPEED	: 20/5 m/min 2-speed pole change
WEIGHT OF HOIST	: 360 kg
HOIST GROUP	: 4,0 + 4,0 m (D_lin4) / ISO M6
MAIN / CONTROL VOLTAGE	: 380 / 48 V; 50 Hz

Approved: \_\_\_\_\_ Place \_\_\_\_\_ Date \_\_\_\_\_ Company (Company stamp) \_\_\_\_\_  
 Customer \_\_\_\_\_

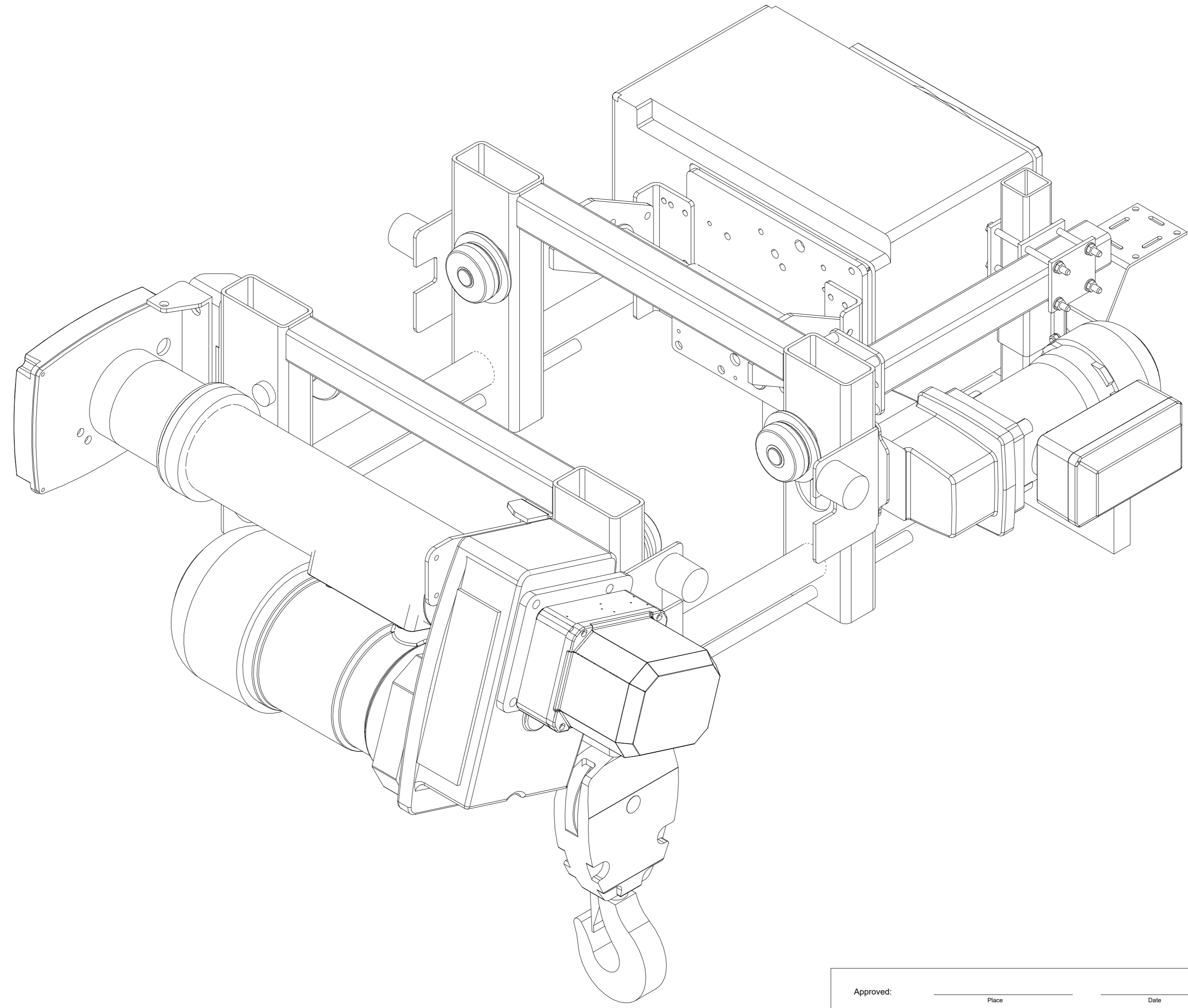
	Free size tolerance	Quotation No.	Version DAS
	Material	Order No.	NSL
	Reproduction and transmission to third parties is not permitted We reserve all rights under copyright for this drawing <b>SHS EX 1t x 10.5m HoI:12m</b>		TCHAR
Company: STEPHAN CraneSystems GmbH Drawn by: 27.05.2019 DMA/XRS Checked by: _____ Issue _____ N/a _____ Released _____		Scale <b>1:12.5</b>	Copy to

Note! Additional options can affect weights and dimensions of some components.


This document is the absolute property of STEPHAN CraneSystems GmbH. This document must not be copied without the written permission of STEPHAN CraneSystems GmbH or its parent company STAH CraneSystems GmbH. The contents thereof must not be disclosed to a third party nor be used for any unauthorized purpose. Contravention will be prosecuted.

1-10.5-12-ex-OEx

REV	CHANGE DESCRIPTION	ECN	DATE	REVISED BY	APPROVED BY
-----	--------------------	-----	------	------------	-------------



This document is the absolute property of STEPHAN CraneSystems GmbH. This document must not be copied without the written permission of STEPHAN CraneSystems GmbH or its parent company STAHL CraneSystems GmbH. This document is intended for use by the customer and is not to be used for any unauthorized purpose. Contravention will be prosecuted.

Approved: _____		Place _____		Date _____		Company (Company stamp) _____	
Customer _____		Free size tolerance _____		Quotation No. _____		Version DAS	
		Material _____		Order No. _____		NSL	
				Reproduction and transmission to third parties is not permitted We reserve all rights under copyright for this drawing <b>SHS EX 1t x 10.5m Hol:12m</b>		TCHAR	
Company: STEPHAN CraneSystems GmbH		Datum _____		Name _____		Scale	
Issue _____		N/a		Drawn by 27.05.2019 DMA/XRS		1:2.5	
Released _____		Checked by _____		1-10.5-12-ex-OEx		Copy to _____	
Replaced by _____		Released _____		_____		_____	

Note! Additional options can affect weights and dimensions of some components.