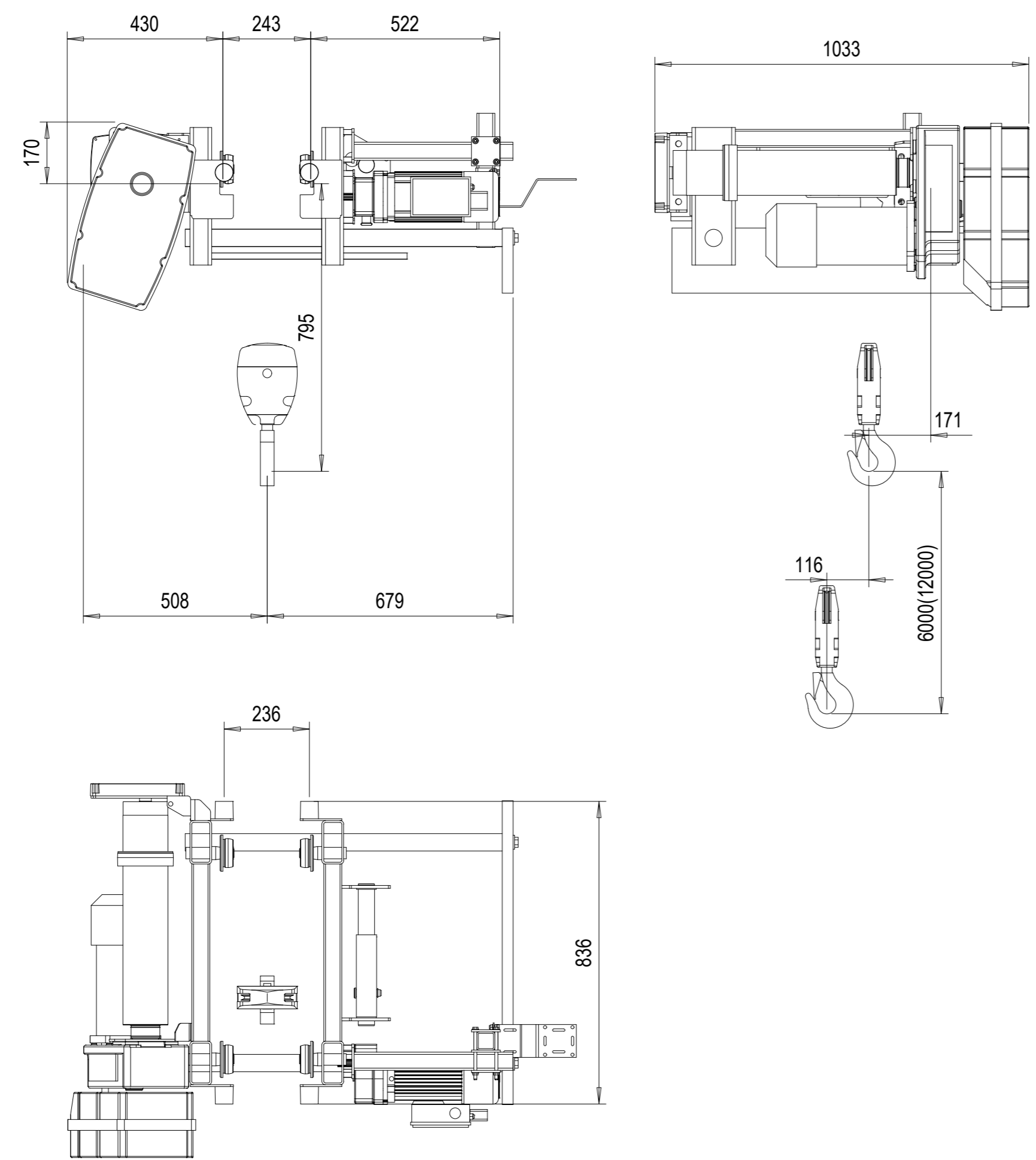


REV	CHANGE DESCRIPTION	ECN	DATE	REVISED BY	APPROVED BY
-----	--------------------	-----	------	------------	-------------

1-4.5-6-O



TECHNICAL DATA

LOAD	: 1000 kg
LIFTING HEIGHT	: 6 m
HOISTING SPEED	: 12,5/2,1 m/min 2-speed
TRAVERSING SPEED	: 20/5 m/min 2-speed pole change
WEIGHT OF HOIST	: 265 kg
HOIST GROUP	: 3,0 + 3,0 m (D_lin4) / ISO M6
MAIN / CONTROL VOLTAGE	: 380 / 48 V; 50 Hz

Approved: _____ Place _____ Date _____ Company (Company stamp) _____
 Customer _____

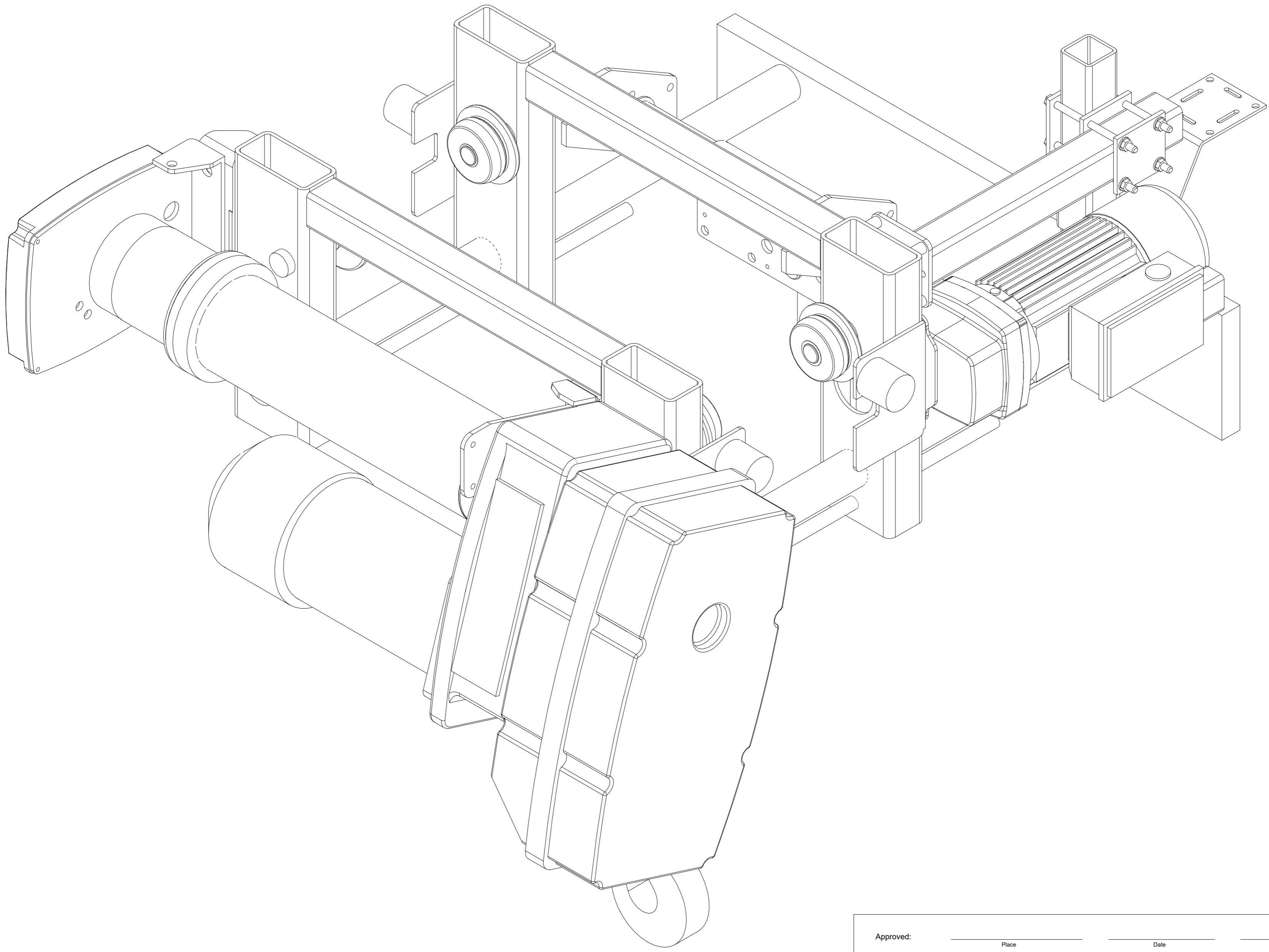
	Free size tolerance	Quotation No.	Version DAS
	Material	Order No.	NSL
	Reproduction and transmission to third parties is not permitted We reserve all rights under copyright for this drawing		TCHAR
SHS1t x 4.5m Hol:6m		Scale	1:12.5
Company: STEPHAN CraneSystems GmbH Drawn by: 29.05.2019 DMA/XRS Checked by: _____ Issue: _____ N/a _____ Released: _____		1-4.5-6-O	Copy to
Replaced by			

Note! Additional options can affect weights and dimensions of some components.

This document is the absolute property of STEPHAN CraneSystems GmbH. This document must not be copied without the written permission of STEPHAN CraneSystems GmbH or its parent company STAH CraneSystems GmbH. The contents thereof must not be disclosed to a third party nor be used for any unauthorized purpose. Contravention will be prosecuted.

1-4.5-6-O

REV	CHANGE DESCRIPTION	ECN	DATE	REVISED BY	APPROVED BY
-----	--------------------	-----	------	------------	-------------



This document is the absolute property of STEPHAN CraneSystems GmbH. This document must not be copied without the written permission of STEPHAN CraneSystems GmbH or its parent company STAHL CraneSystems GmbH. This document is intended for internal use only and is not to be used for any unauthorized purpose. Contravention will be prosecuted.

Approved: _____		Place _____		Date _____		Company (Company stamp) _____	
Customer _____		Free size tolerance _____		Quotation No. _____		Version DAS	
		Material _____		Order No. _____		NSL	
				Reproduction and transmission to third parties is not permitted		TCHAR	
				We reserve all rights under copyright for this drawing		Scale	
Company: STEPHAN CraneSystems GmbH		SWS1t x 4.5m Hol:6m		1-4.5-6-O		1:2.5	
Drawn by 29.05.2019 DMA/XRS		Datum _____		Name _____		Copy to _____	
Checked by _____		Released _____		Replaced by _____			
Issue _____		N/a					

Note! Additional options can affect weights and dimensions of some components.