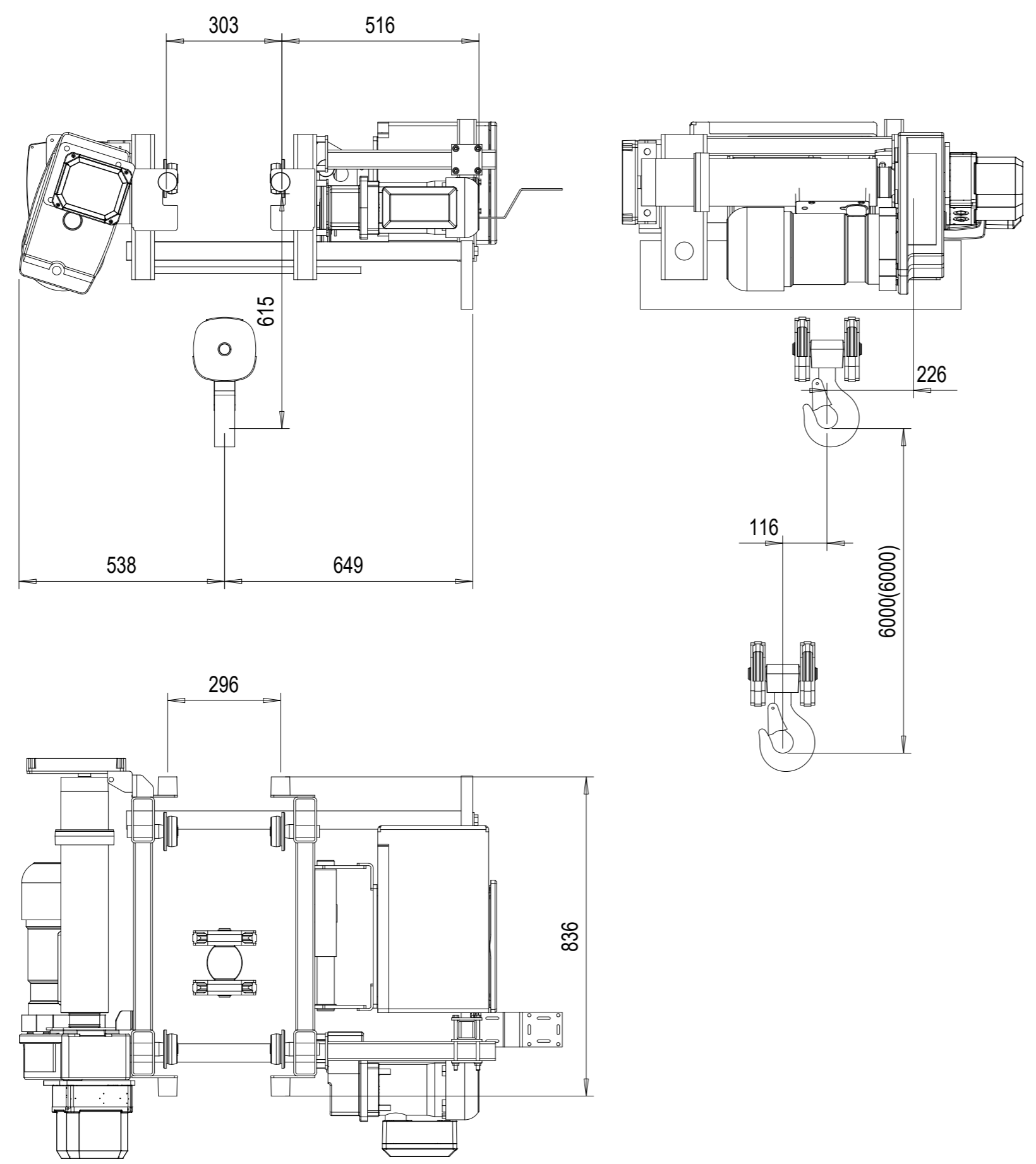


3.2.4.5-6-ex-OEx

REV	CHANGE DESCRIPTION	ECN	DATE	REVISED BY	APPROVED BY
-----	--------------------	-----	------	------------	-------------



Marking : Ex II 2G Ex de IIB T4 Gb/Ex II 2G ck IIB T4
 Ambient temperature : -10°...40° C

TECHNICAL DATA	
LOAD	: 3200 kg
LIFTING HEIGHT	: 6 m
HOISTING SPEED	: 2,7/0,45 m/min 2-speed
TRAVERSING SPEED	: 20/5 m/min 2-speed pole change
WEIGHT OF HOIST	: 375 kg
HOIST GROUP	: 3,0 + 3,0 m (D_lin4) / ISO M5
MAIN / CONTROL VOLTAGE	: 380 / 48 V; 50 Hz

Approved: _____ Place _____ Date _____ Company (Company stamp) _____
 Customer _____

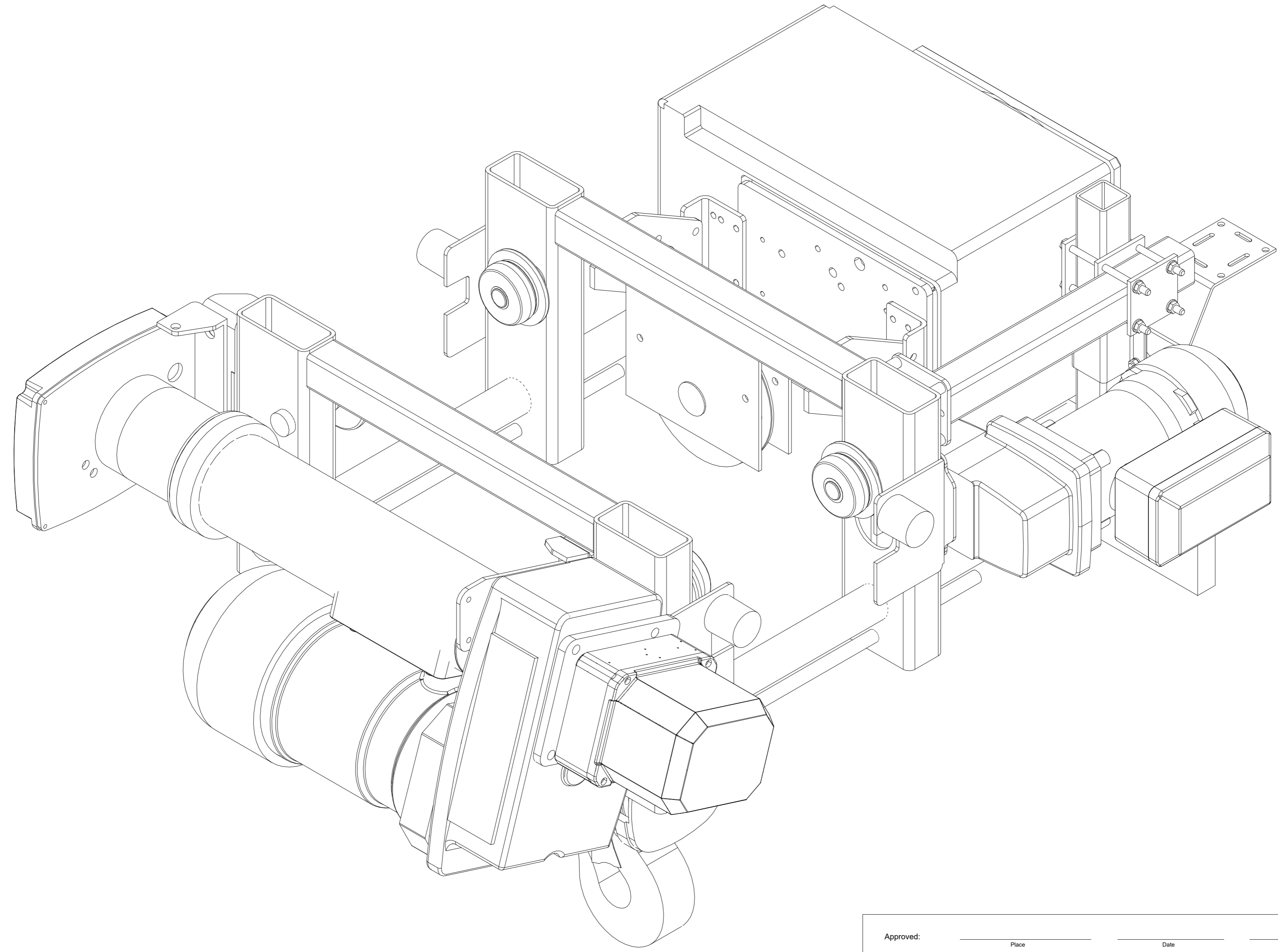
	Free size tolerance	Quotation No.	Version DAS
	Material	Order No.	NSL
	Reproduction and transmission to third parties is not permitted We reserve all rights under copyright for this drawing SHS EX 3.2t x 4.5m Ho:6m		TCHAR
Company: STEPHAN CraneSystems GmbH Drawn by: 27.05.2019 DMA/XRS Checked by: _____ Issue _____ N/a _____ Released _____		Scale 1:12.5	Copy to
3.2.4.5-6-ex-OEx		Replaced by	

Note! Additional options can affect weights and dimensions of some components.


This document is the absolute property of STEPHAN CraneSystems GmbH. This document must not be copied without the written permission of STEPHAN CraneSystems GmbH or its parent company STAH CraneSystems GmbH. The contents thereof must not be disclosed to a third party nor be used for any unauthorized purpose. Contravention will be prosecuted.

3.2-4.5-6-ex-OEx

REV	CHANGE DESCRIPTION	ECN	DATE	REVISED BY	APPROVED BY
-----	--------------------	-----	------	------------	-------------



This document is the absolute property of STEPHAN CraneSystems GmbH. This document must not be copied without the written permission of STEPHAN CraneSystems GmbH or its parent company STAHL CraneSystems GmbH. This document is intended for internal use only and is not to be used for any unauthorized purpose. Contravention will be prosecuted.

Approved: _____		Place _____		Date _____		Company (Company stamp) _____	
Customer _____		Free size tolerance _____		Quotation No. _____		Version DAS	
		Material _____		Order No. _____		NSL	
				Reproduction and transmission to third parties is not permitted We reserve all rights under copyright for this drawing		TCHAR	
Company: STEPHAN CraneSystems GmbH		Drawn by 27.05.2019 DMA/XRS Checked by _____ Released _____		SHS EX 3.2t x 4.5m Hol:6m		Scale	
				3.2-4.5-6-ex-OEx		1:2.5	
Issue _____		N/a		Replaced by _____		Copy to _____	

Note! Additional options can affect weights and dimensions of some components.