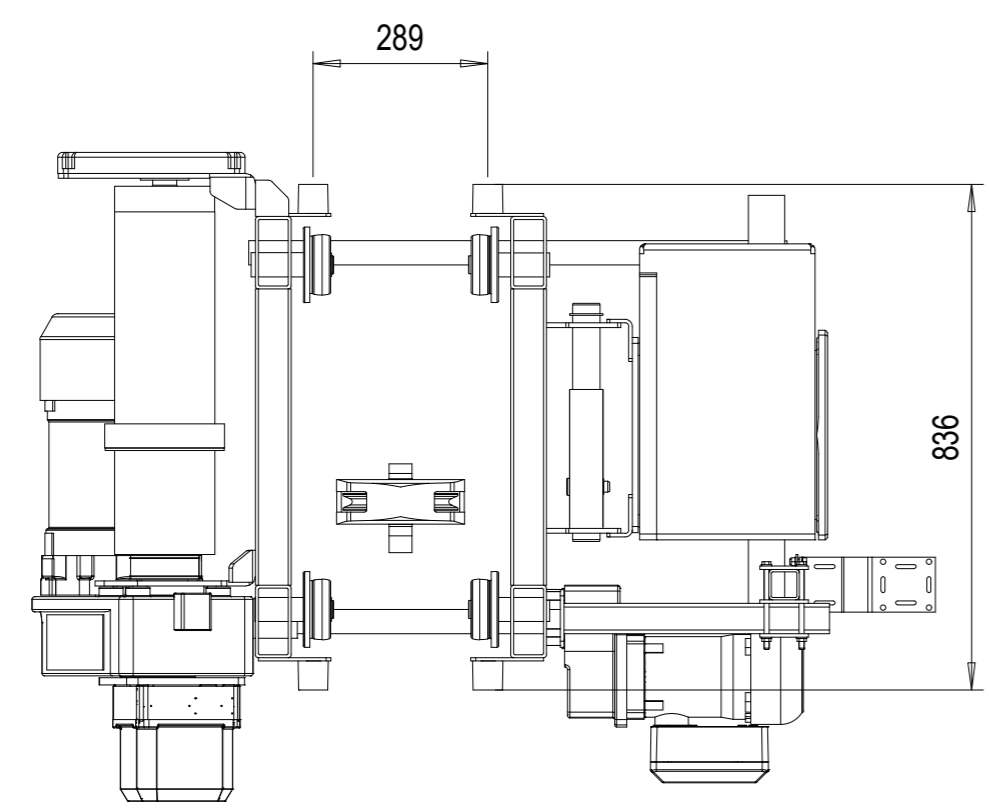
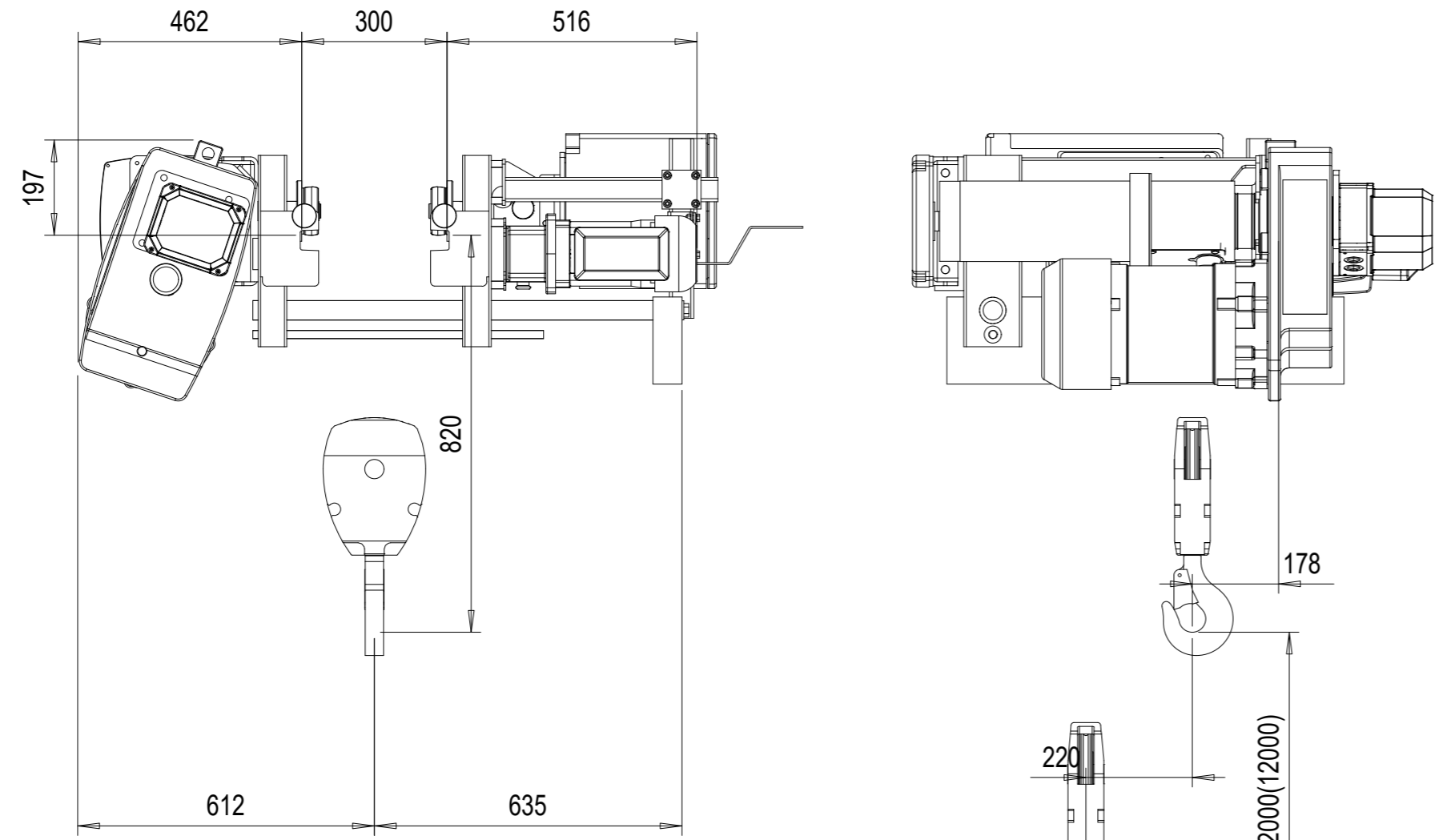


2-10.5-12-ex-OEx

REV	CHANGE DESCRIPTION	ECN	DATE	REVISED BY	APPROVED BY
-----	--------------------	-----	------	------------	-------------



Marking : Ex II 2G Ex de IIB T4 Gb/Ex II 2G ck IIB T4
Ambient temperature : -10°...40° C

TECHNICAL DATA	
LOAD	: 2000 kg
LIFTING HEIGHT	: 12 m
HOISTING SPEED	: 12,5/2,1 m/min 2-speed
TRAVERSING SPEED	: 20/5 m/min 2-speed pole change
WEIGHT OF HOIST	: 425 kg
HOIST GROUP	: 4,0 + 4,0 m (D_lin4) / ISO M5
MAIN / CONTROL VOLTAGE	: 380 / 48 V; 50 Hz

Approved: _____ Place _____ Date _____ Company (Company stamp) _____
Customer _____

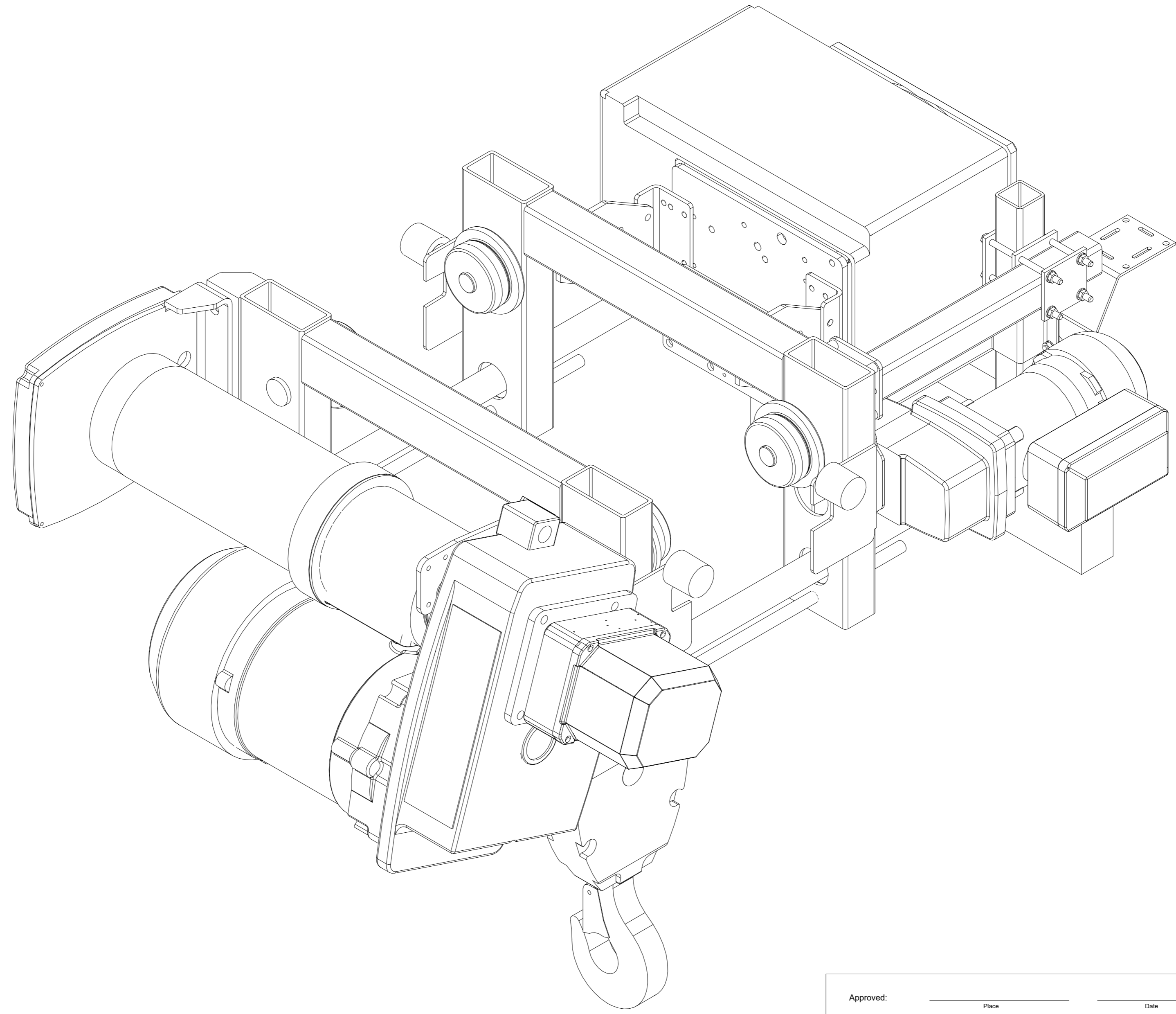
	Free size tolerance	Quotation No.	Version DAS
	Material	Order No.	NSL
	Reproduction and transmission to third parties is not permitted We reserve all rights under copyright for this drawing SHS EX 2t x 10.5m HoI:12m		TCHAR
Company: STEPHAN CraneSystems GmbH		Scale 1:12.5	Copy to
Issue	N/a	Released	
Drawn by: 29.05.2019 DMA/XRS Checked by: _____ Replaced by: _____		2-10.5-12-ex-OEx	

Note! Additional options can affect weights and dimensions of some components.

This document is the absolute property of STEPHAN CraneSystems GmbH. This document must not be copied without the written permission of STEPHAN CraneSystems GmbH or its parent company STAH CraneSystems GmbH. The contents thereof must not be disclosed to a third party nor be used for any unauthorized purpose. Contravention will be prosecuted.


2-10.5-12-ex-OEx

REV	CHANGE DESCRIPTION	ECN	DATE	REVISED BY	APPROVED BY
-----	--------------------	-----	------	------------	-------------



This document is the absolute property of STEPHAN CraneSystems GmbH. This document must not be copied without the written permission of STEPHAN CraneSystems GmbH or its parent company STAHL CraneSystems GmbH. This document is intended for internal use only and is not to be used for any unauthorized purpose. Contravention will be prosecuted.

Note! Additional options can affect weights and dimensions of some components.

Approved: _____		Place _____		Date _____		Company (Company stamp) _____	
Customer _____		Free size tolerance _____		Quotation No. _____		Version DAS	
		Material _____		Order No. _____		NSL	
				Reproduction and transmission to third parties is not permitted We reserve all rights under copyright for this drawing SHS EX 2t x 10.5m Hol:12m		TCHAR	
Company: _____		Datum _____		Name _____		Scale	
STEPHAN CraneSystems GmbH		Drawn by 29.05.2019 DMA/XRS		2-10.5-12-ex-OEx		1:2.5	
Issue _____		N/a		Released _____		Copy to _____	
				Replaced by _____			