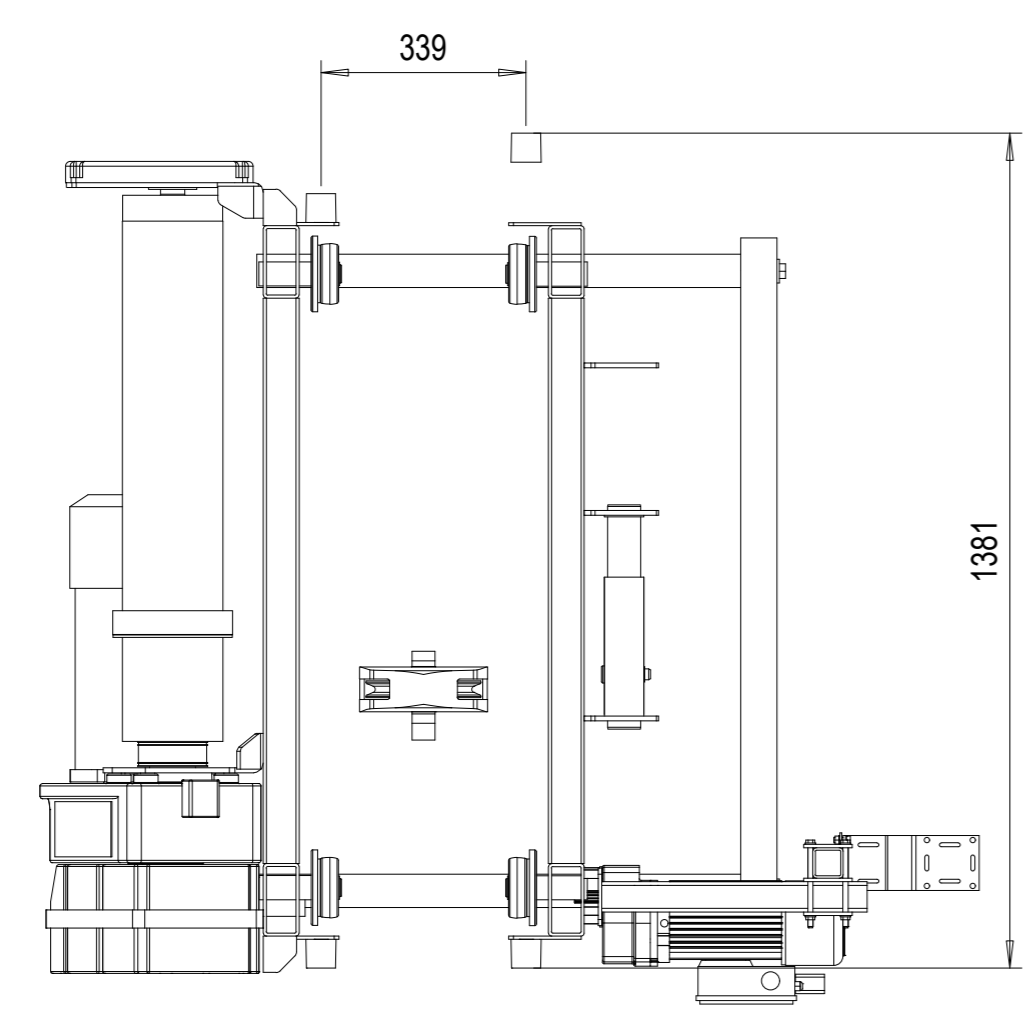
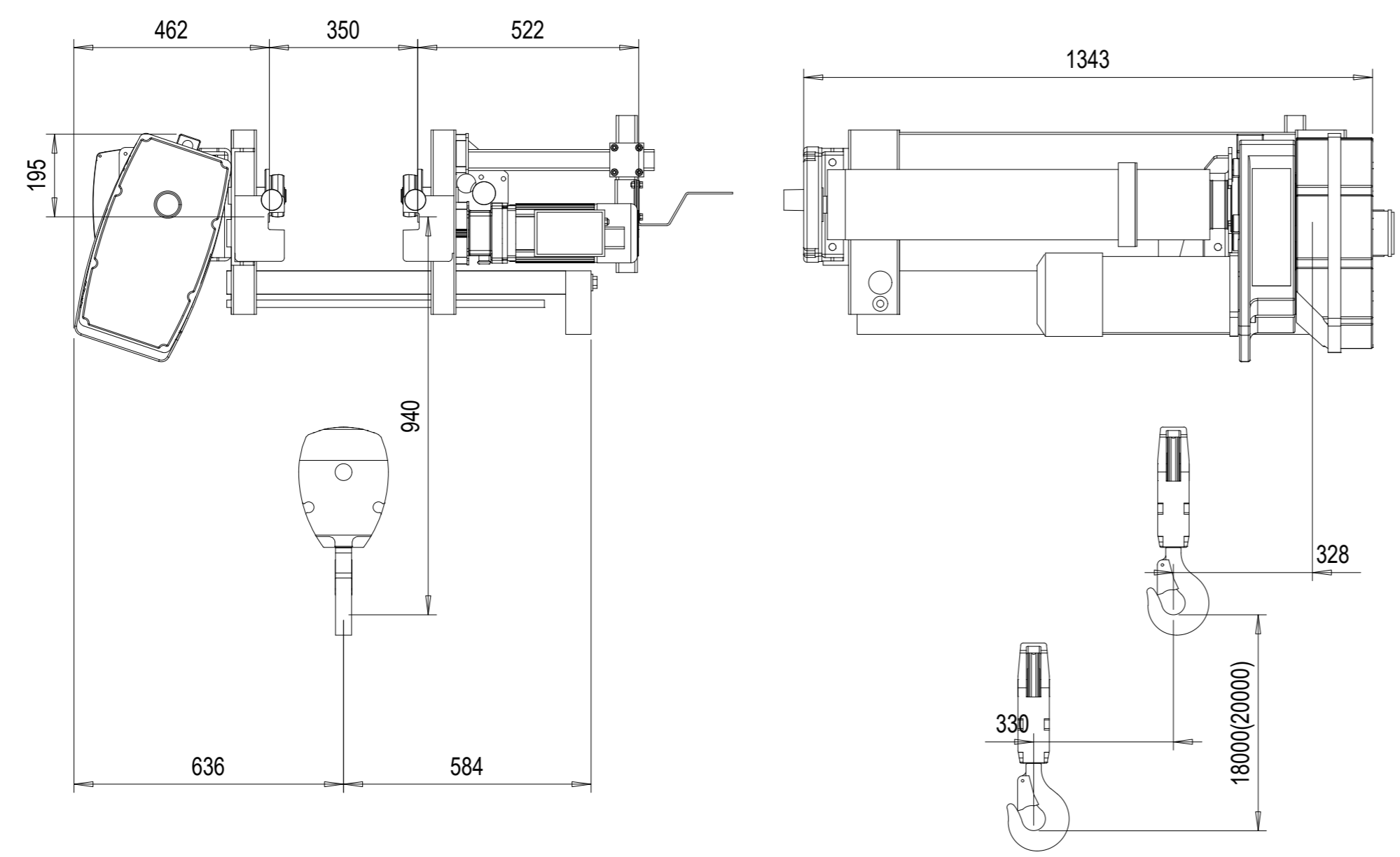


2-22.5-18-O

REV	CHANGE DESCRIPTION	ECN	DATE	REVISED BY	APPROVED BY
-----	--------------------	-----	------	------------	-------------

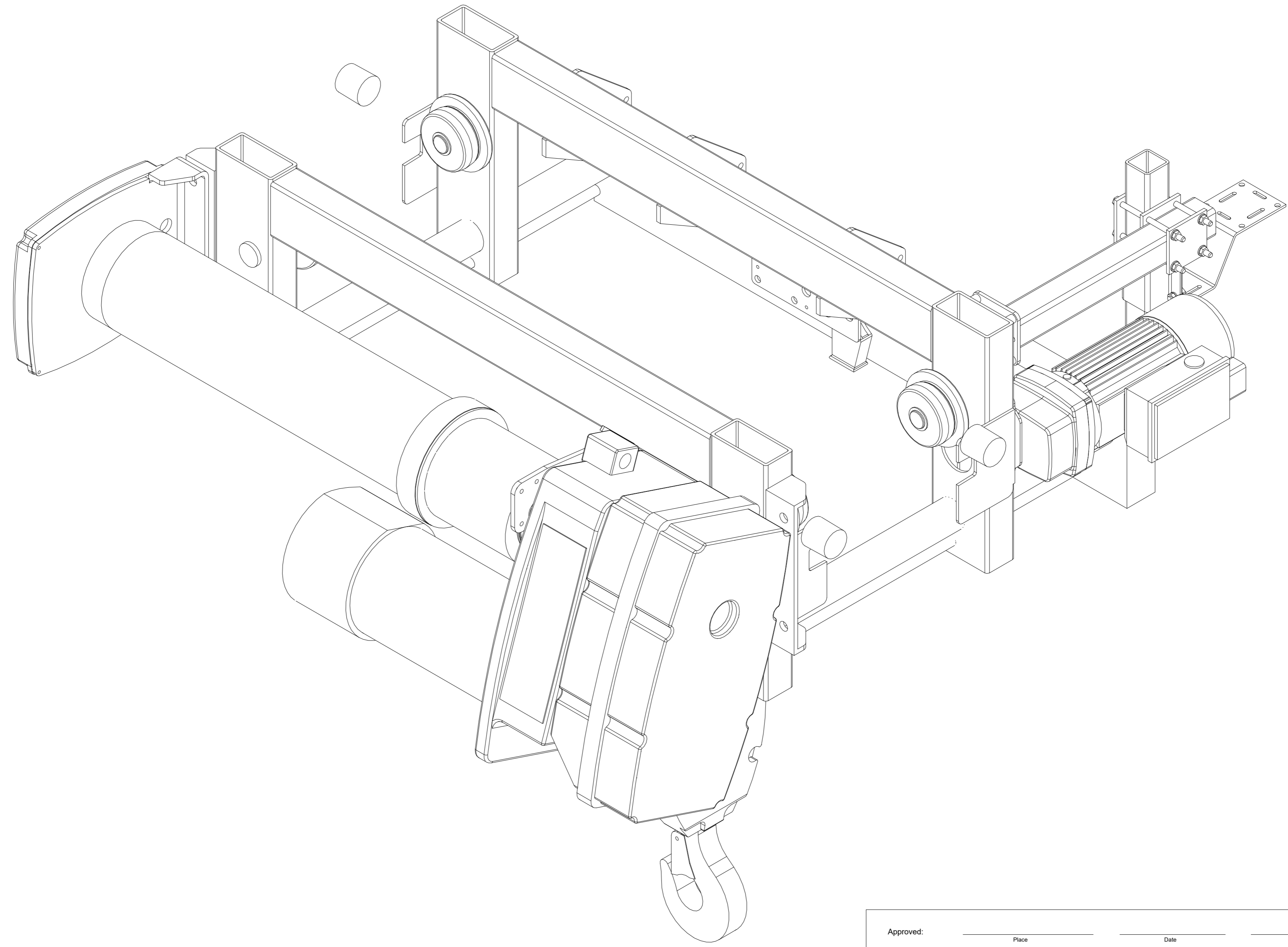


TECHNICAL DATA			
LOAD	: 2000 kg		
LIFTING HEIGHT	: 18 m		
HOISTING SPEED	: 12,5/2,1 m/min 2-speed		
TRAVERSING SPEED	: 20/5 m/min 2-speed pole change		
WEIGHT OF HOIST	: 332 kg		
HOIST GROUP	: 4,0 + 4,0 m (D_lin4) / ISO M5		
MAIN / CONTROL VOLTAGE	: 380 / 48 V; 50 Hz		
Approved: _____ Place _____ Date _____ Company (Company stamp) _____			
Customer _____			
STAHL CraneSystems	Free size tolerance	Quotation No.	
	Material	Order No.	
	Reproduction and transmission to third parties is not permitted We reserve all rights under copyright for this drawing		
SHS2t x 22.5m Hol:18m			TCHAR
			Scale
			1:12.5
Company: STEPHAN CraneSystems GmbH		Datum	Name
		Down by	29.05.2019 DMA/XRS
		Checked by	
		Released	
		2-22.5-18-O	
		Replaced by	
Issue	N/a		

Note! Additional options can affect weights and dimensions of some components.


This document is the absolute property of STEPHAN CraneSystems GmbH. This document must not be copied without the written permission of STEPHAN CraneSystems GmbH or its parent company STAHL CraneSystems GmbH. The contents thereof must not be disclosed to a third party nor be used for any unauthorized purpose. Contravention will be prosecuted.

2-22.5-18-O



REV	CHANGE DESCRIPTION	ECN	DATE	REVISED BY	APPROVED BY
-----	--------------------	-----	------	------------	-------------

This document is the absolute property of STEPHAN CraneSystems GmbH. This document must not be copied without the written permission of STEPHAN CraneSystems GmbH or its parent company STAHL CraneSystems GmbH. This document is intended for internal use only and is not to be used for any unauthorized purpose. Contravention will be prosecuted.

Approved: _____		Place _____		Date _____		Company (Company stamp) _____	
Customer _____		Free size tolerance _____		Quotation No. _____		Version DAS	
		Material _____		Order No. _____		NSL	
				Reproduction and transmission to third parties is not permitted		TCHAR	
				We reserve all rights under copyright for this drawing		Scale	
Company: STEPHAN CraneSystems GmbH		Date: 29.05.2019		Name: DMA/XRS		SHS2t x 22.5m Hol:18m	
Issue _____		Checked by _____		Released _____		1:2.5	
N/a		Replaced by _____		2-22.5-18-O		Copy to _____	

Note! Additional options can affect weights and dimensions of some components.