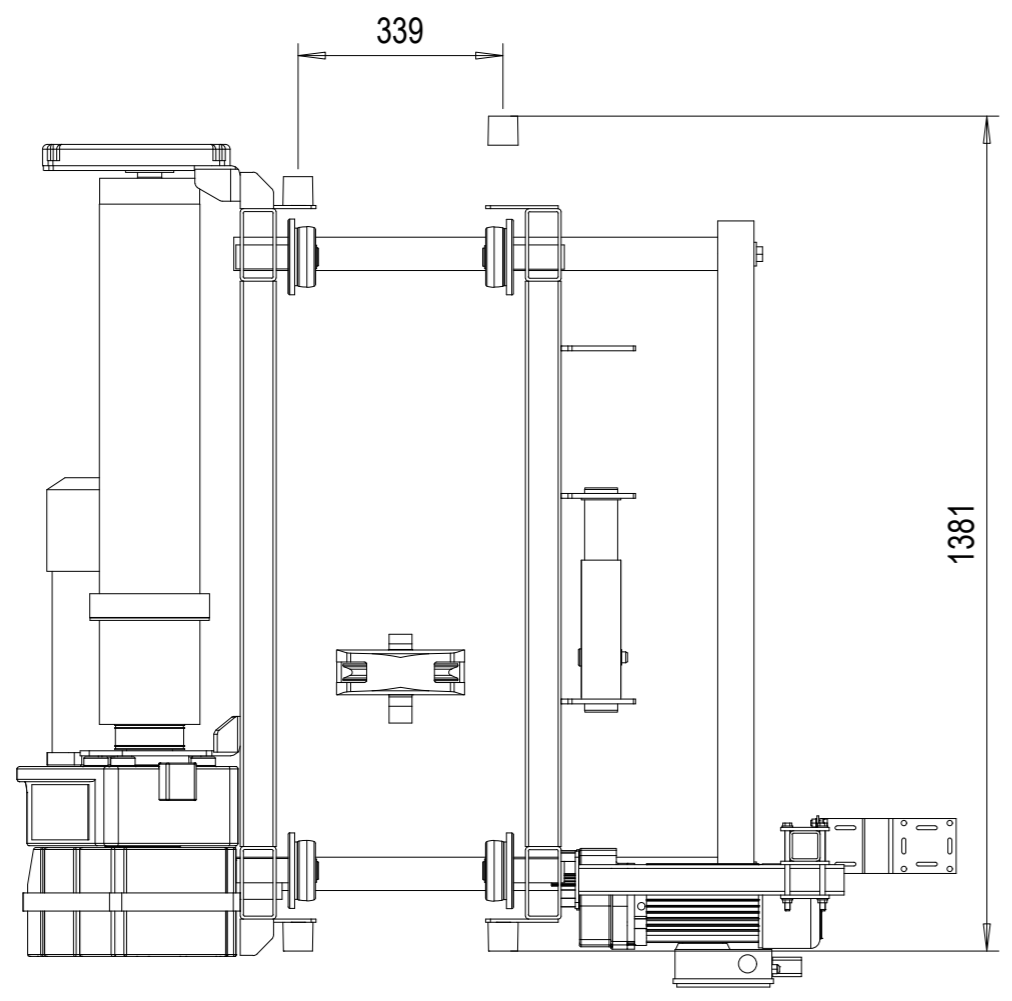
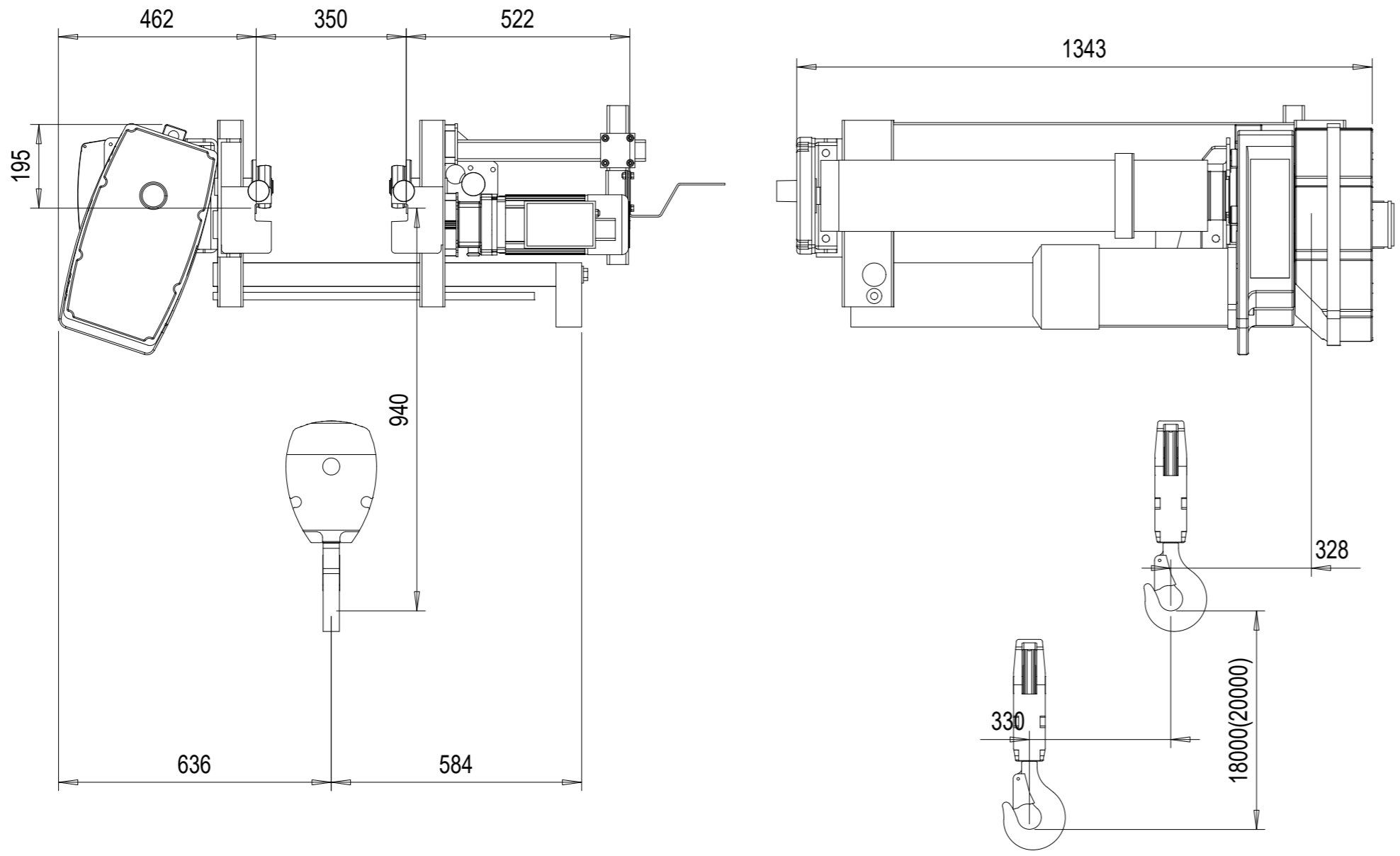


3.2-22.5-18-O

REV	CHANGE DESCRIPTION	ECN	DATE	REVISED BY	APPROVED BY
-----	--------------------	-----	------	------------	-------------



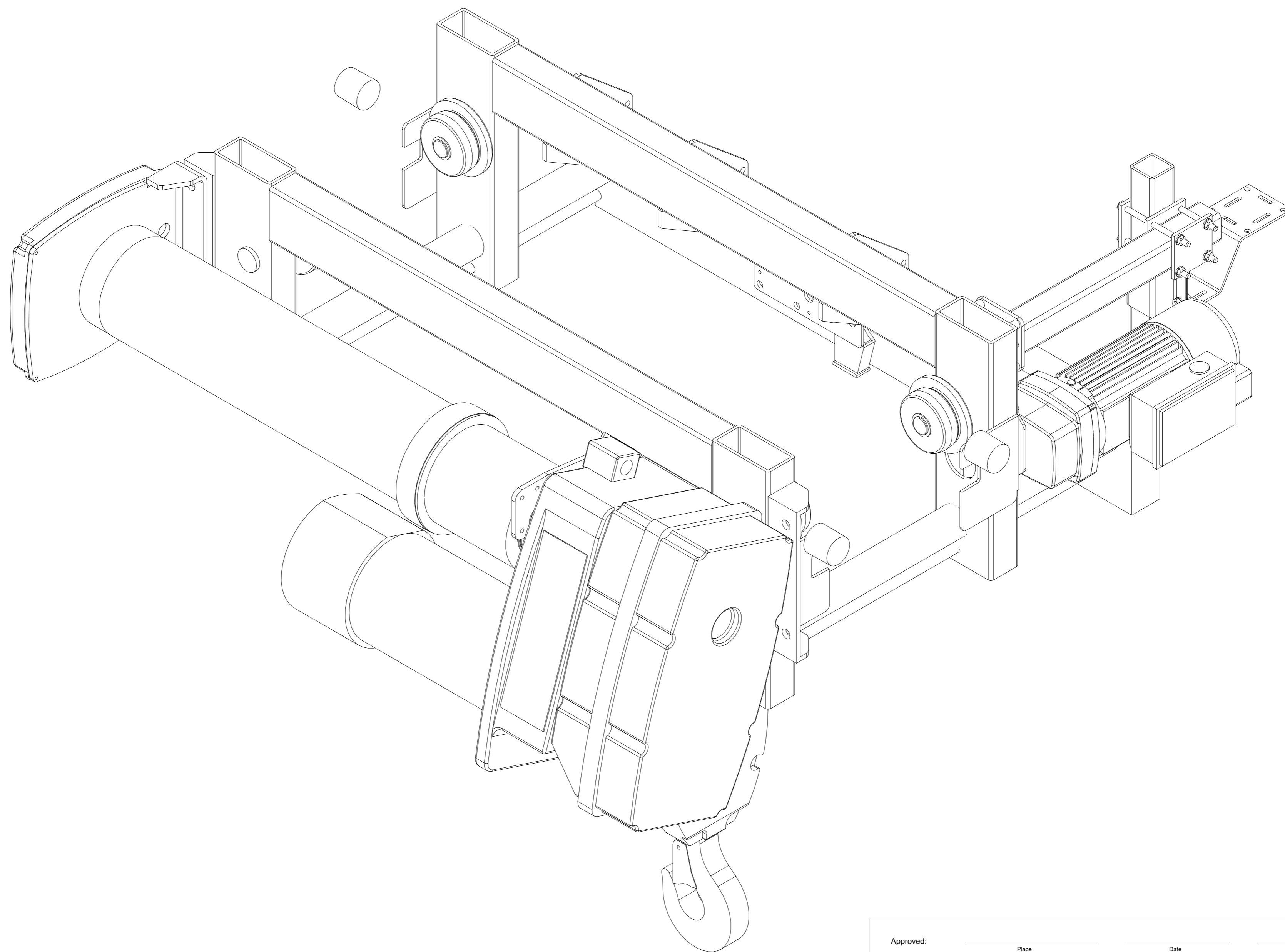
TECHNICAL DATA	
LOAD	: 3200 kg
LIFTING HEIGHT	: 18 m
HOISTING SPEED	: 8/1,3 m/min 2-speed
TRAVERSING SPEED	: 20/5 m/min 2-speed pole change
WEIGHT OF HOIST	: 332 kg
HOIST GROUP	: 4,0 + 4,0 m (D_lin4) / ISO M4
MAIN / CONTROL VOLTAGE	: 380 / 48 V; 50 Hz

Approved:	_____	_____	_____
	Place	Date	Company (Company stamp)
Customer	_____		
STAHL CraneSystems	Free size tolerance	Quotation No.	Version DAS
	Material	Order No.	NSL
		Reproduction and transmission to third parties is not permitted We reserve all rights under copyright for this drawing	TCHAR
		SHS3.2t x 22.5m HoI:18m	Scale
			1:12.5
Company:	STEPHAN CraneSystems GmbH		Copy to
	Datum	Name	
	Drawn by	29.05.2019 DMA/XRS	3.2-22.5-18-O
Issue	N/a	Released	Replaced by

Note! Additional options can affect weights and dimensions of some components.

This document is the absolute property of STEPHAN CraneSystems GmbH. This document must not be copied without the written permission of STEPHAN CraneSystems GmbH or its parent company STAHL CraneSystems GmbH. The contents thereof must not be disclosed to a third party nor be used for any unauthorized purpose. Contravention will be prosecuted.


3.2-22.5-18-O



REV	CHANGE DESCRIPTION	ECN	DATE	REVISED BY	APPROVED BY
-----	--------------------	-----	------	------------	-------------

This document is the absolute property of STEPHAN CraneSystems GmbH. This document must not be copied without the written permission of STEPHAN CraneSystems GmbH or its parent company STAHL CraneSystems GmbH. This document is intended for internal use only and is not to be used for any unauthorized purpose. Contravention will be prosecuted.

Note! Additional options can affect weights and dimensions of some components.

Approved: _____		Place _____		Date _____		Company (Company stamp) _____					
Customer _____		Free size tolerance _____		Quotation No. _____		Version DAS _____					
		Material _____		Order No. _____		NSL _____					
				Reproduction and transmission to third parties is not permitted		TCHAR _____					
Company: STEPHAN CraneSystems GmbH		<table border="1"> <tr><td>Datum</td><td>Name</td></tr> <tr><td>29.05.2019</td><td>DMA/XRS</td></tr> </table>		Datum	Name	29.05.2019	DMA/XRS	SHS3.2t x 22.5m Hol:18m		Scale 1:2.5	
				Datum	Name						
29.05.2019	DMA/XRS										
Issue _____		N/a _____		3.2-22.5-18-O		Copy to _____					
Released _____		Replaced by _____									