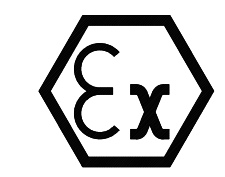
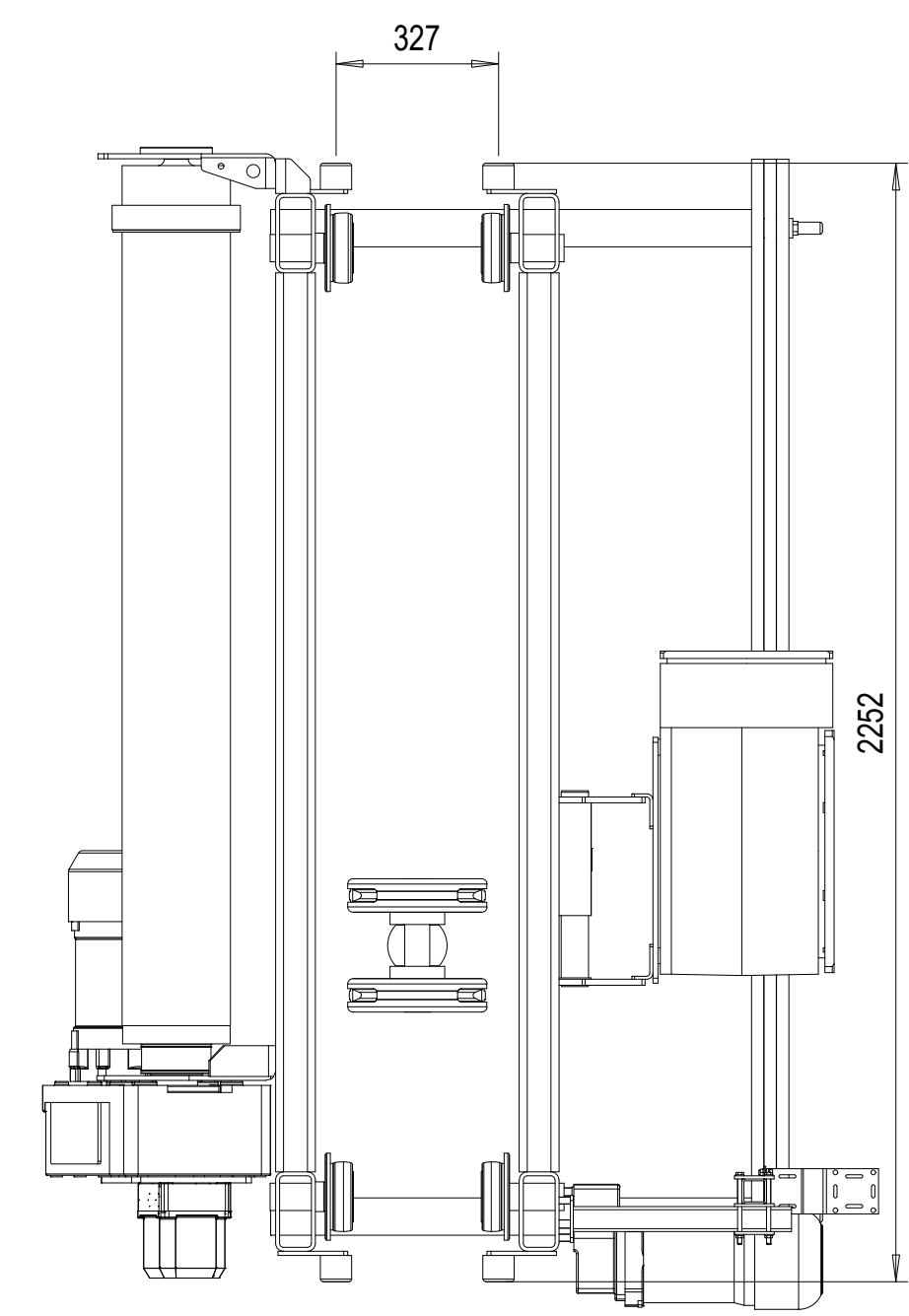
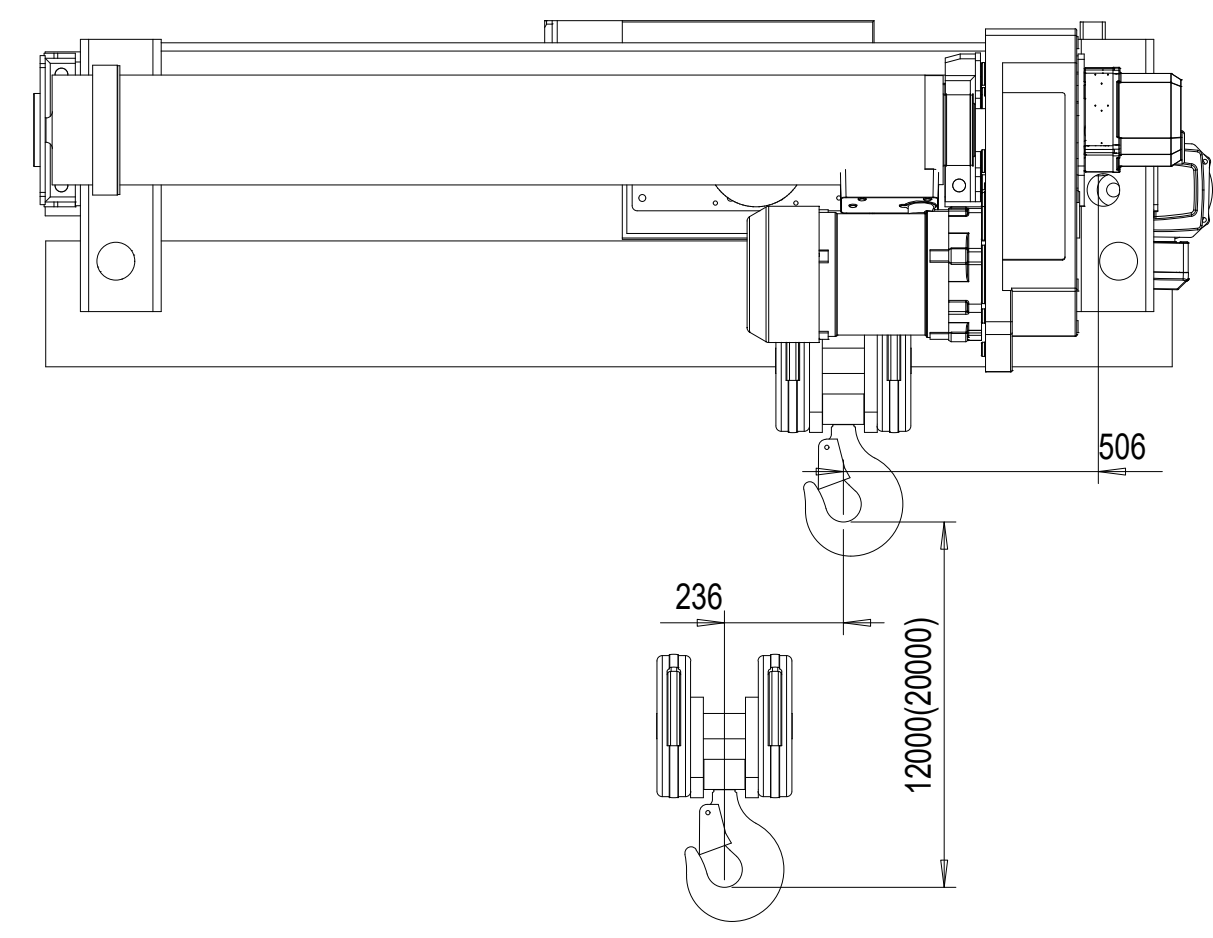
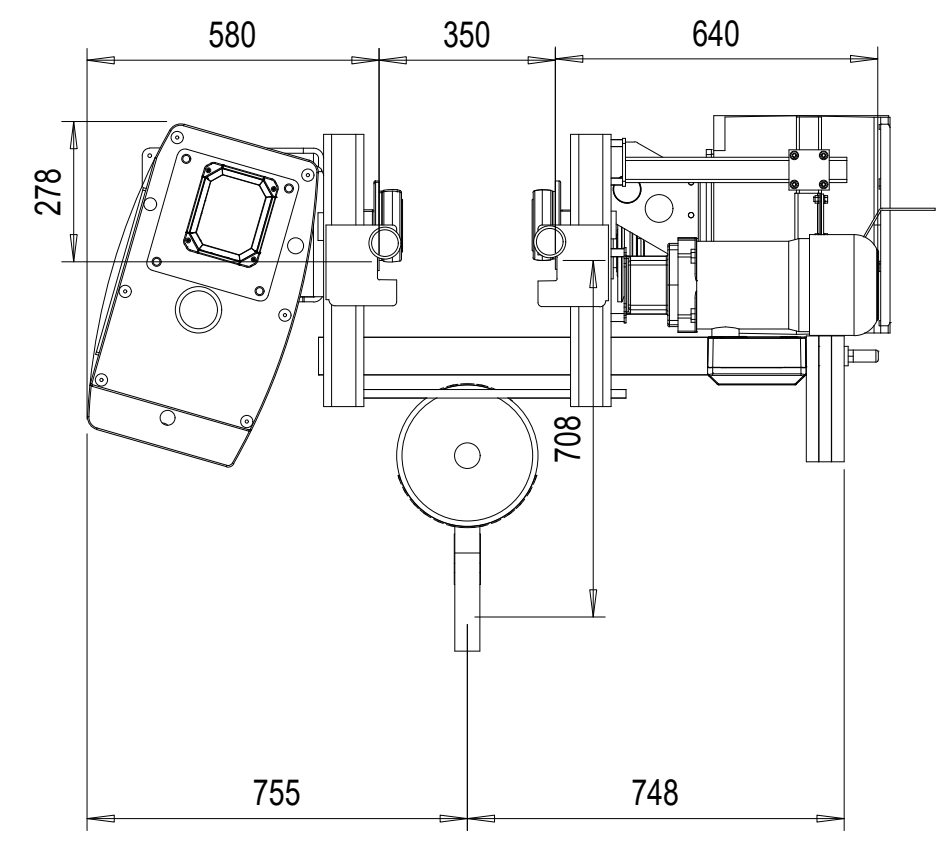


10-10.5-12-ex-OEx

REV	CHANGE DESCRIPTION	ECN	DATE	REVISED BY	APPROVED BY
-----	--------------------	-----	------	------------	-------------



Marking : Ex II 2G Ex de IIB T4 Gb/Ex II 2G ck IIB T4  
Ambient temperature : -10°...40° C

TECHNICAL DATA	
LOAD	: 10000 kg
LIFTING HEIGHT	: 12 m
HOISTING SPEED	: 2,5/0,42 m/min 2-speed
TRAVERSING SPEED	: 20/5 m/min 2-speed pole change
WEIGHT OF HOIST	: 975 kg
HOIST GROUP	: 4,0 + 4,0 m (D_lin4) / ISO M5
MAIN / CONTROL VOLTAGE	: 380 / 48 V; 50 Hz

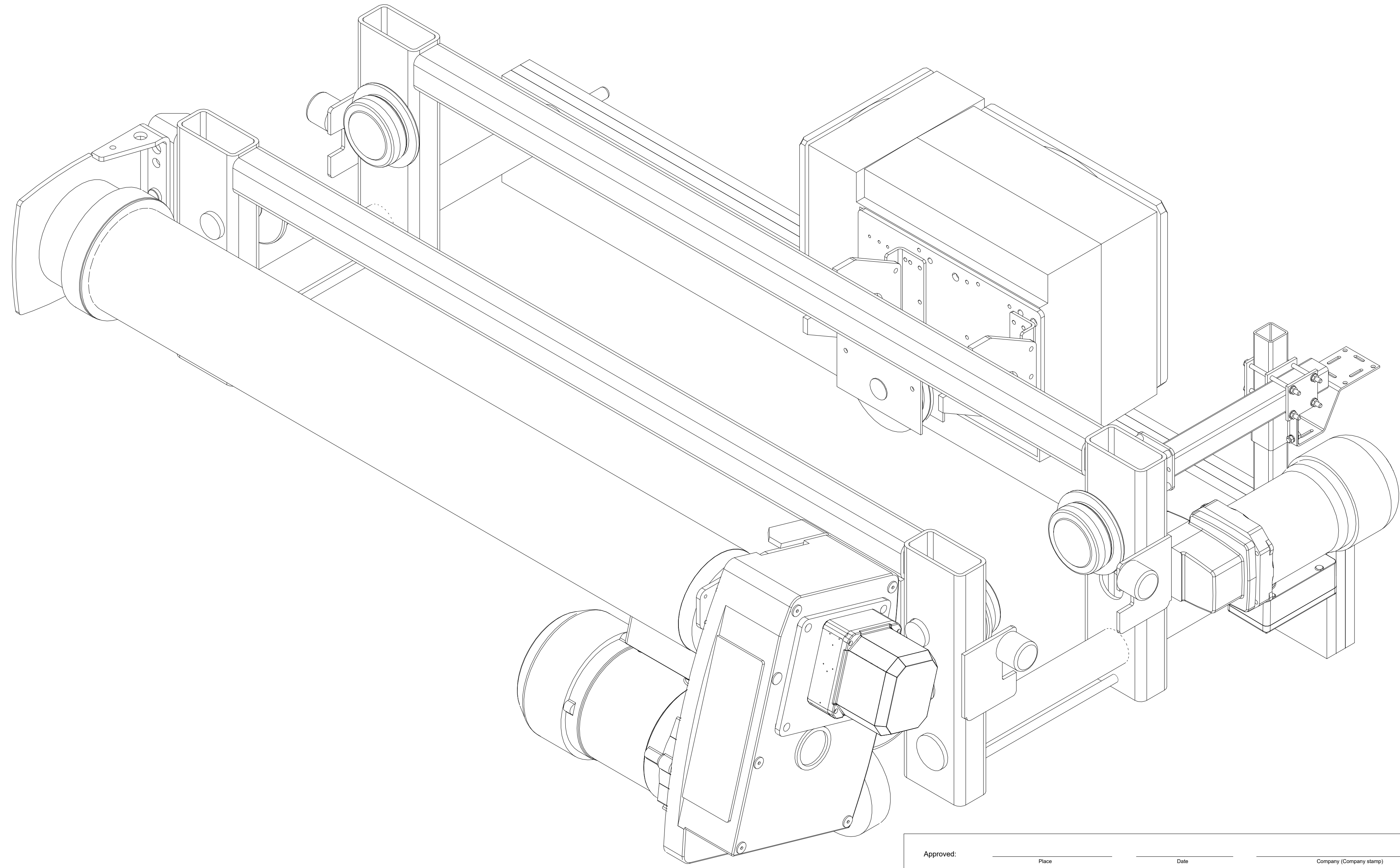
Approved:	_____	Place	_____	Date	_____	Company (Company stamp)	_____
Customer	_____						
<b>STAHL</b> CraneSystems	Free size tolerance	Quotation No.				Version	DAS
	Material	Order No.				NSL	
	Reproduction and transmission to third parties is not permitted We reserve all rights under copyright for this drawing					TCHAR	
SHS EX 10t x 10.5m Hol:12m					Scale		
10-10.5-12-ex-OEx					Copy to		
Company:	STEPHAN CraneSystems GmbH						
Drawn by	28.05.2019	DMA/XRS					
Checked by							
Issue	N/a	Released					

Note! Additional options can affect weights and dimensions of some components.

This document is the absolute property of STEPHAN CraneSystems GmbH. This document must not be copied without the written permission of STEPHAN CraneSystems GmbH or its parent company STAHL CraneSystems GmbH. The contents thereof must not be disclosed to a third party nor be used for any unauthorized purpose. Contravention will be prosecuted.

10-10.5-12-ex-OEx

REV	CHANGE DESCRIPTION	ECN	DATE	REVISED BY	APPROVED BY
-----	--------------------	-----	------	------------	-------------



This document is the absolute property of STEPHAN CraneSystems GmbH. This document must not be copied without the written permission of STEPHAN CraneSystems GmbH or its parent company STAHL CraneSystems GmbH. Any reproduction or use of this document by a third party not authorized for any unauthorized purpose. Contravention will be prosecuted.

Approved: _____		Place _____		Date _____		Company (Company stamp) _____	
Customer _____		Free size tolerance _____		Quotation No. _____		Version DAS	
		Material _____		Order No. _____		NSL	
				Reproduction and transmission to third parties is not permitted We reserve all rights under copyright for this drawing <b>SHS EX 10t x 10.5m Hol:12m</b>		TCHAR	
Company: _____		Datum _____		Name _____		Scale	
STEPHAN CraneSystems GmbH		Drawn by 28.05.2019 DMA/XRS		10-10.5-12-ex-OEx		1:2.5	
Issue _____		N/a		Released _____		Copy to _____	
				Replaced by _____			

Note! Additional options can affect weights and dimensions of some components.