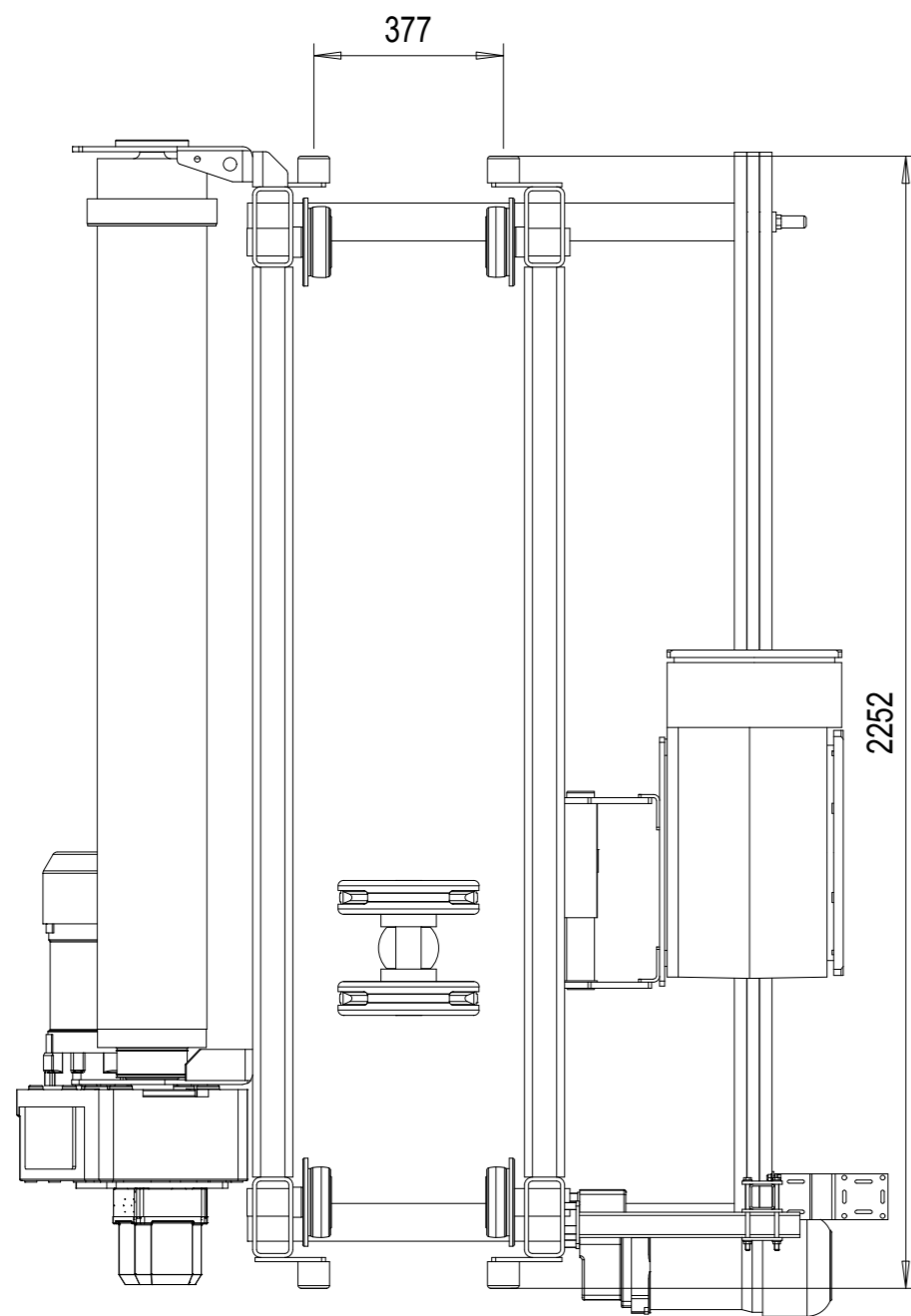
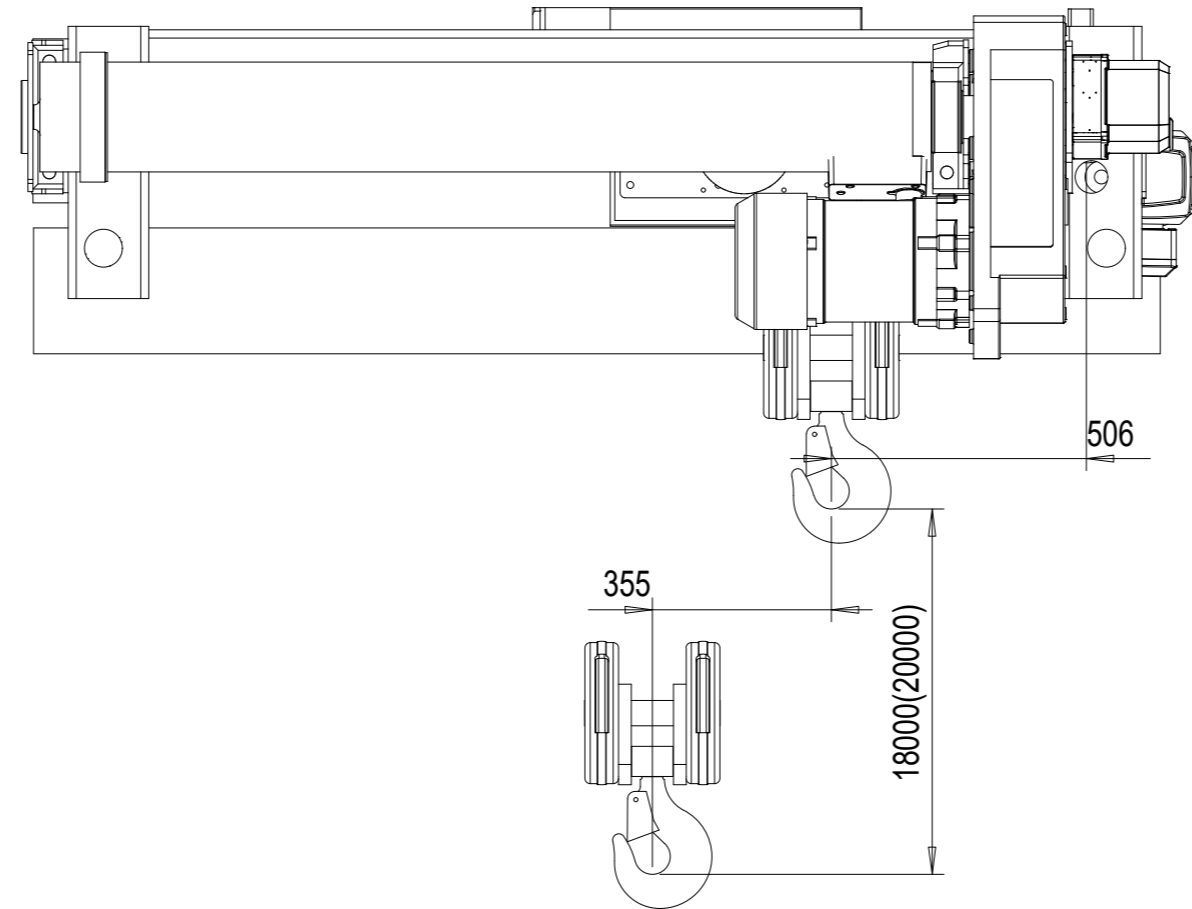
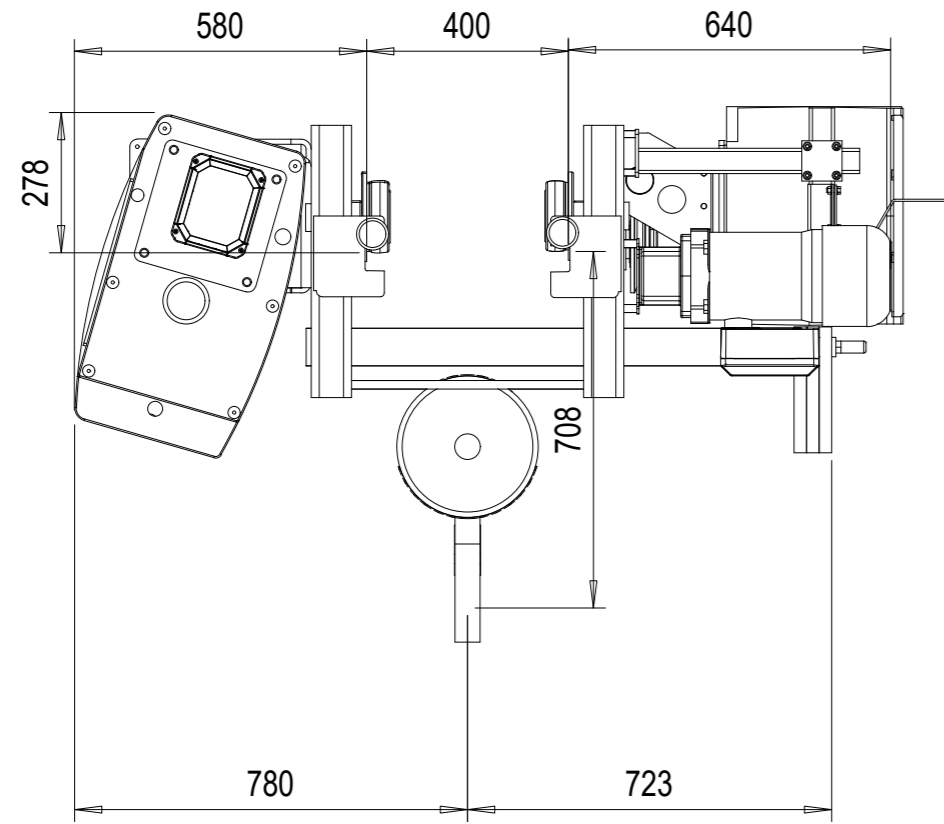


10-22.5-18-ex-OEx

REV	CHANGE DESCRIPTION	ECN	DATE	REVISED BY	APPROVED BY
-----	--------------------	-----	------	------------	-------------



Marking : Ex II 2G Ex de IIB T4 Gb/Ex II 2G ck IIB T4
Ambient temperature : -10°...40° C

TECHNICAL DATA	
LOAD	: 10000 kg
LIFTING HEIGHT	: 18 m
HOISTING SPEED	: 2,5/0,42 m/min 2-speed
TRAVERSING SPEED	: 20/5 m/min 2-speed pole change
WEIGHT OF HOIST	: 975 kg
HOIST GROUP	: 4,0 + 4,0 m (D_lin4) / ISO M5
MAIN / CONTROL VOLTAGE	: 380 / 48 V; 50 Hz

Approved: _____ Place _____ Date _____ Company (Company stamp) _____
Customer _____

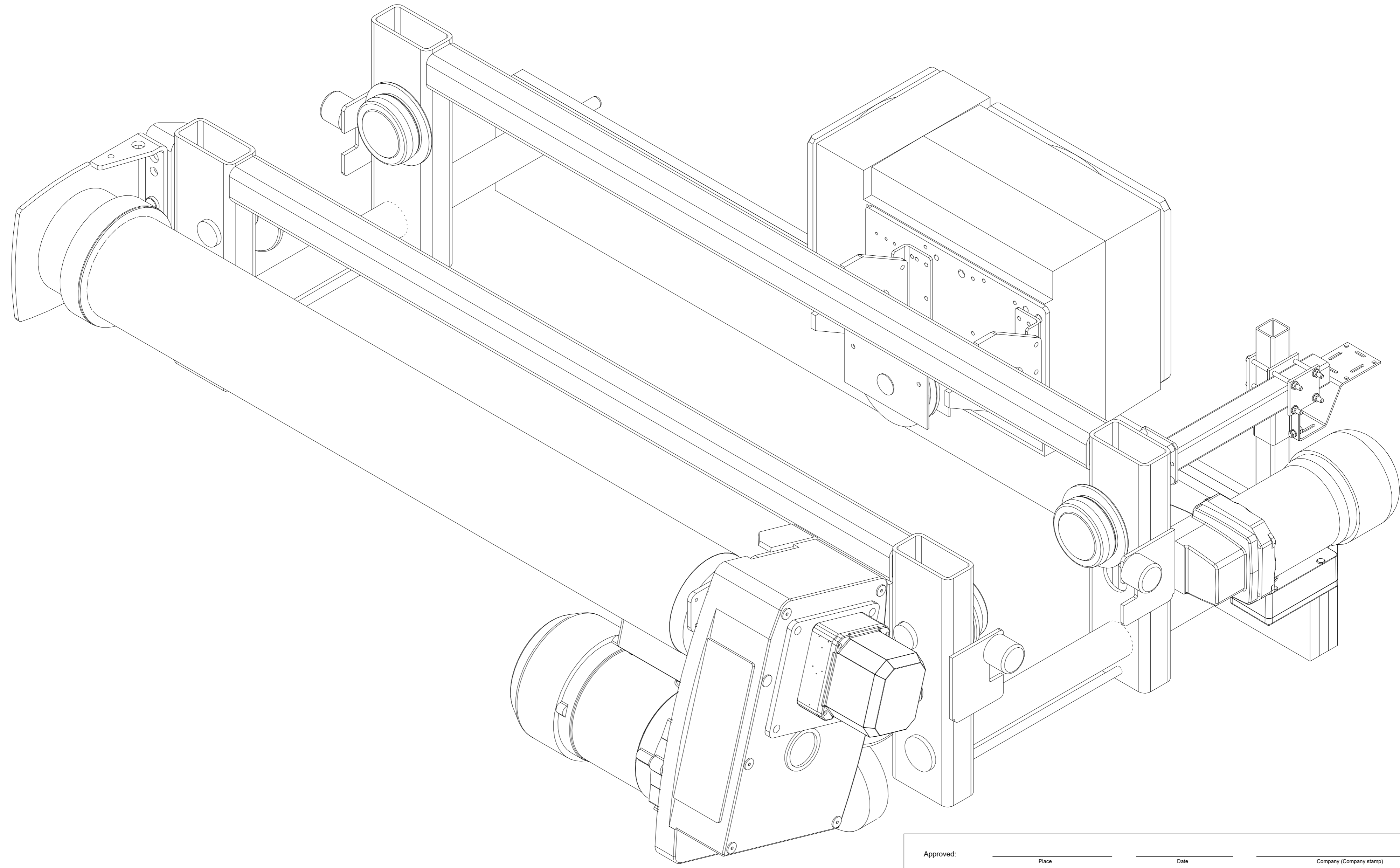
	Free size tolerance	Quotation No.	Version DAS
	Material	Order No.	NSL
	Reproduction and transmission to third parties is not permitted We reserve all rights under copyright for this drawing		TCHAR
SHS EX 10t x 22.5m Hol:18m		Scale	1:15.0
Company: STEPHAN CraneSystems GmbH		Copy to	
Issue	N/a	10-22.5-18-ex-OEx	
Drawn by	28.05.2019 DMA/XRS	Replaced by	
Checked by			
Released			

Note! Additional options can affect weights and dimensions of some components.

This document is the absolute property of STEPHAN CraneSystems GmbH. This document must not be copied without the written permission of STEPHAN CraneSystems GmbH or its parent company STAHL CraneSystems GmbH. The contents thereof must not be disclosed to a third party nor be used for any unauthorized purpose. Contravention will be prosecuted.

10-22.5-18-ex-OEx

REV	CHANGE DESCRIPTION	ECN	DATE	REVISED BY	APPROVED BY
-----	--------------------	-----	------	------------	-------------



This document is the absolute property of STEPHAN CraneSystems GmbH. This document must not be copied without the written permission of STEPHAN CraneSystems GmbH or its parent company STAHL CraneSystems GmbH. This document is intended for use by a third party for the purpose of any unauthorized purpose. Contravention will be prosecuted.

Approved: _____		Place _____		Date _____		Company (Company stamp) _____	
Customer		Free size tolerance		Quotation No.		Version DAS	
		Material		Order No.		NSL	
				Reproduction and transmission to third parties is not permitted		TCHAR	
				We reserve all rights under copyright for this drawing		Scale	
Company: STEPHAN CraneSystems GmbH		Datum		Name		SHS EX 10t x 22.5m Hol:18m	
Issue		28.05.2019		DMA/XRS		1:2.5	
N/a		Checked by		Released		Copy to	
						10-22.5-18-ex-OEx	
						Replaced by	

Note! Additional options can affect weights and dimensions of some components.