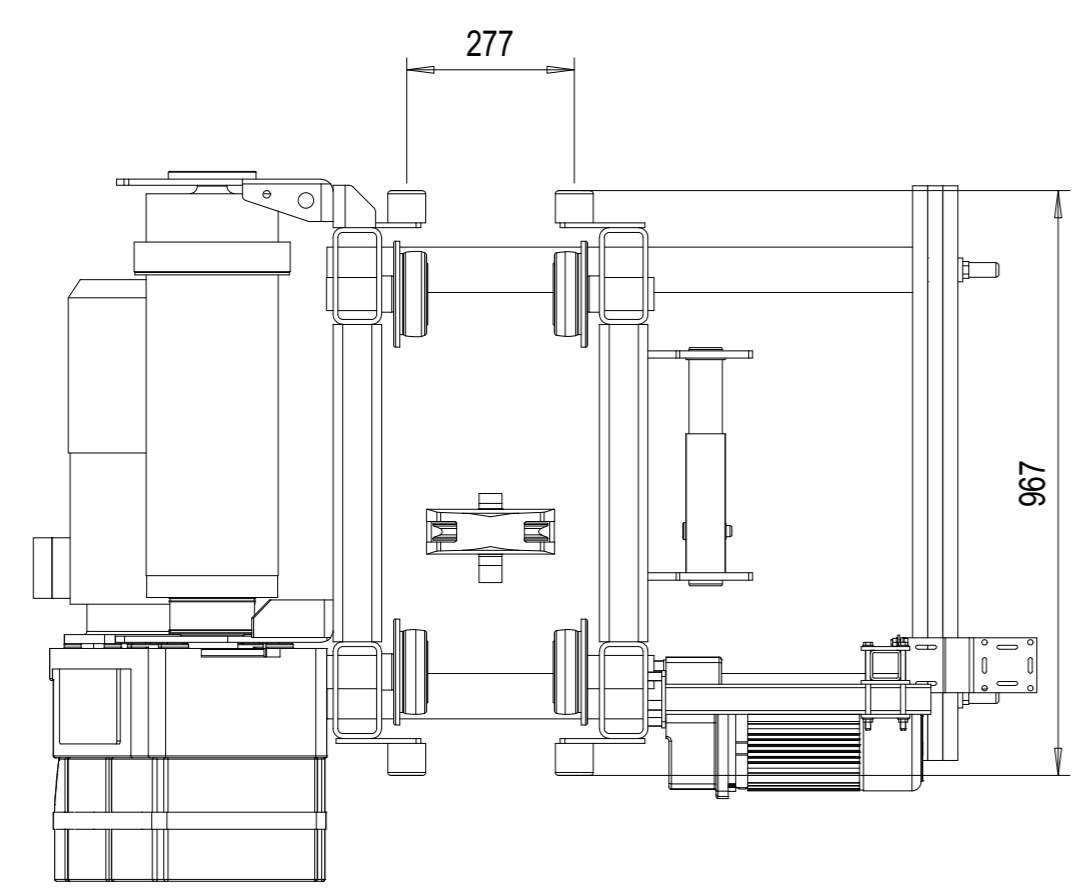
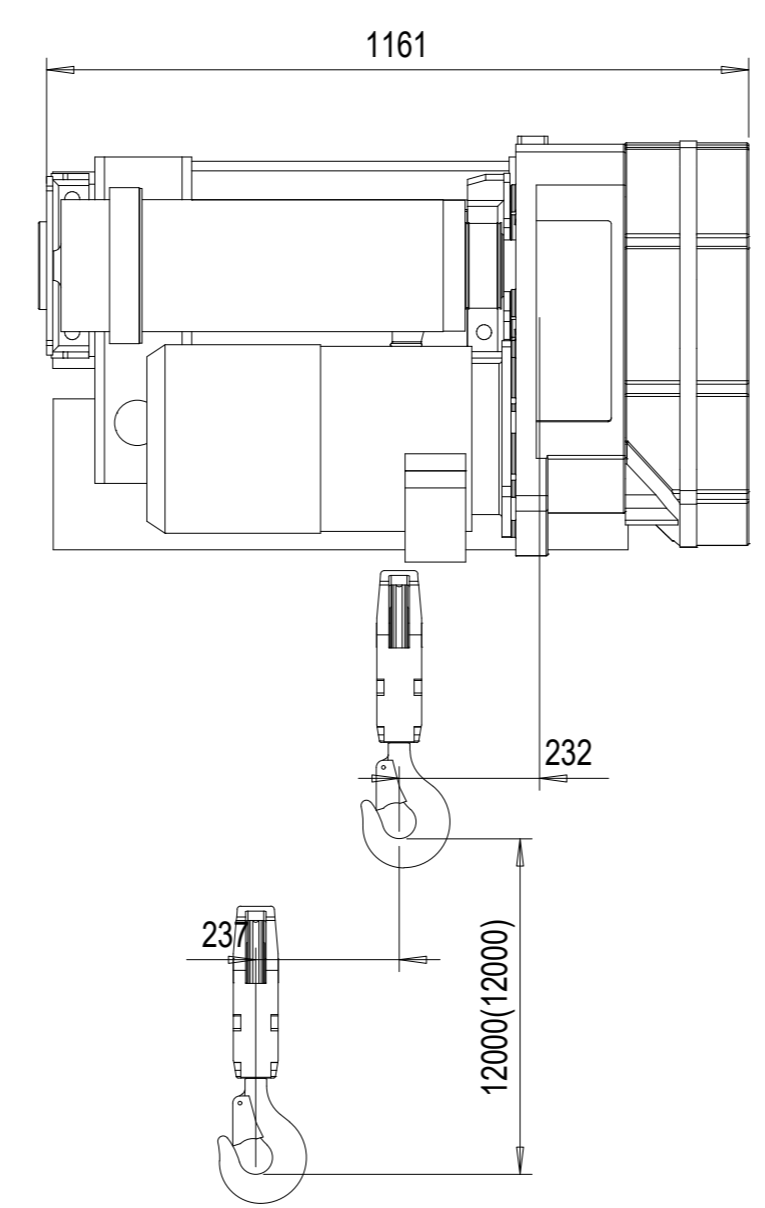
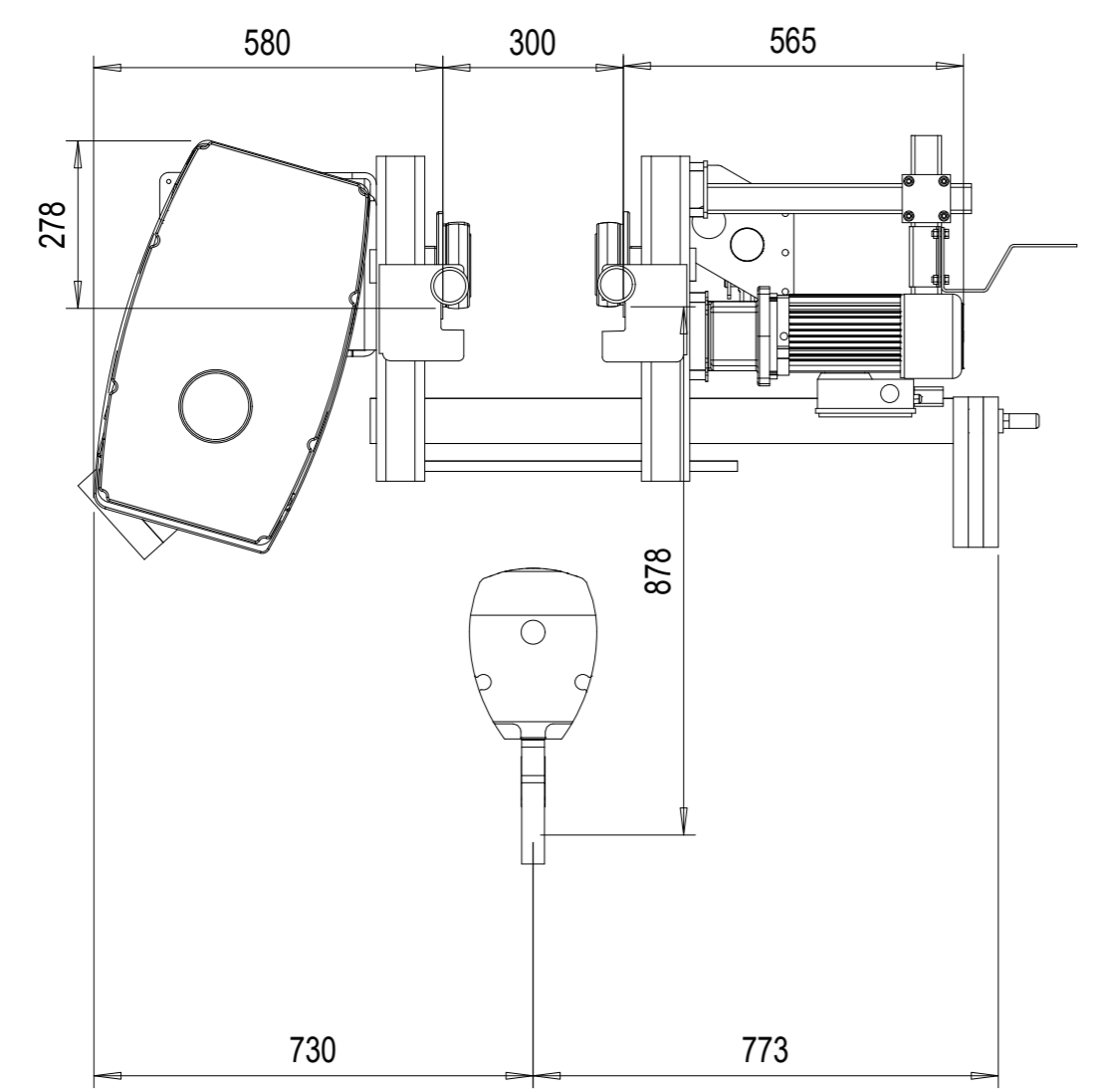


5-10.5-12-O

| REV | CHANGE DESCRIPTION | ECN | DATE | REVISED BY | APPROVED BY |
|-----|--------------------|-----|------|------------|-------------|
|-----|--------------------|-----|------|------------|-------------|

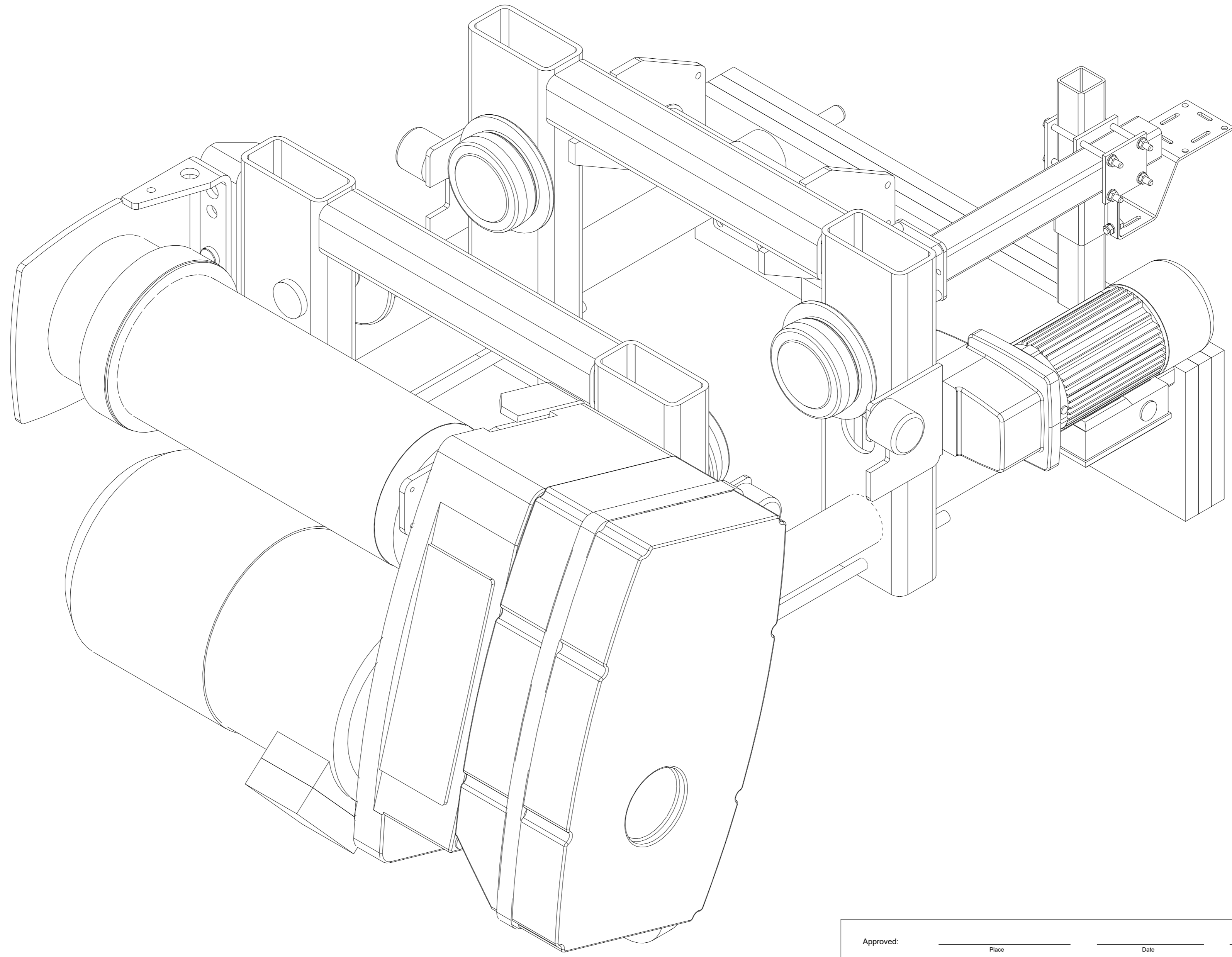


| TECHNICAL DATA | | | |
|------------------------------------|---|---------------|-------------|
| LOAD | : 5000 kg | | |
| LIFTING HEIGHT | : 12 m | | |
| HOISTING SPEED | : 10/1,7 m/min 2-speed | | |
| TRAVERSING SPEED | : 20/5 m/min 2-speed pole change | | |
| WEIGHT OF HOIST | : 735 kg | | |
| HOIST GROUP | : 4,0 + 4,0 m (D_lin4) / ISO M5 | | |
| MAIN / CONTROL VOLTAGE | : 380 / 48 V; 50 Hz | | |
| Approved: _____ | | | |
| Customer | | Place | Date |
| Company (Company stamp) | | | |
| STAHL CraneSystems | Free size tolerance | Quotation No. | Version DAS |
| | Material | Order No. | NSL |
| | Reproduction and transmission to third parties is not permitted We reserve all rights under copyright for this drawing | | TCHAR |
| SHS5t x 10.5m HoI:12m | | Scale | |
| | | 1:12.5 | |
| Company: STEPHAN CraneSystems GmbH | | Copy to | |
| Drawn by 29.05.2019 DMA/XRS | | 5-10.5-12-O | |
| Checked by | | Replaced by | |
| Issue | N/a | Released | |

Note! Additional options can affect weights and dimensions of some components.


This document is the absolute property of STEPHAN CraneSystems GmbH. This document must not be copied without the written permission of STEPHAN CraneSystems GmbH or its parent company STAHL CraneSystems GmbH. The contents thereof must not be disclosed to a third party nor be used for any unauthorized purpose. Contravention will be prosecuted.

5-10.5-12-O



| REV | CHANGE DESCRIPTION | ECN | DATE | REVISED BY | APPROVED BY |
|-----|--------------------|-----|------|------------|-------------|
|-----|--------------------|-----|------|------------|-------------|

This document is the absolute property of STEPHAN CraneSystems GmbH. This document must not be copied without the written permission of STEPHAN CraneSystems GmbH or its parent company STAHL CraneSystems GmbH. This document is intended for internal use only and is not to be used for any unauthorized purpose. Contravention will be prosecuted.

| | | | | | | | |
|---|--|---------------------------|--|---|--|-------------------------------|--|
| Approved: _____ | | Place _____ | | Date _____ | | Company (Company stamp) _____ | |
| Customer _____ | | Free size tolerance _____ | | Quotation No. _____ | | Version DAS | |
|  | | Material _____ | | Order No. _____ | | NSL | |
| | | | | Reproduction and transmission to third parties is not permitted We reserve all rights under copyright for this drawing SHS5t x 10.5m Hol:12m | | TCHAR | |
| Company: STEPHAN CraneSystems GmbH | | Datum _____ | | Name _____ | | Scale | |
| Issue _____ | | N/a | | Drawn by 29.05.2019 DMA/XRS | | 1:2.5 | |
| Released _____ | | Checked by _____ | | 5-10.5-12-O | | Copy to _____ | |
| Replaced by _____ | | Released _____ | | _____ | | _____ | |

Note! Additional options can affect weights and dimensions of some components.