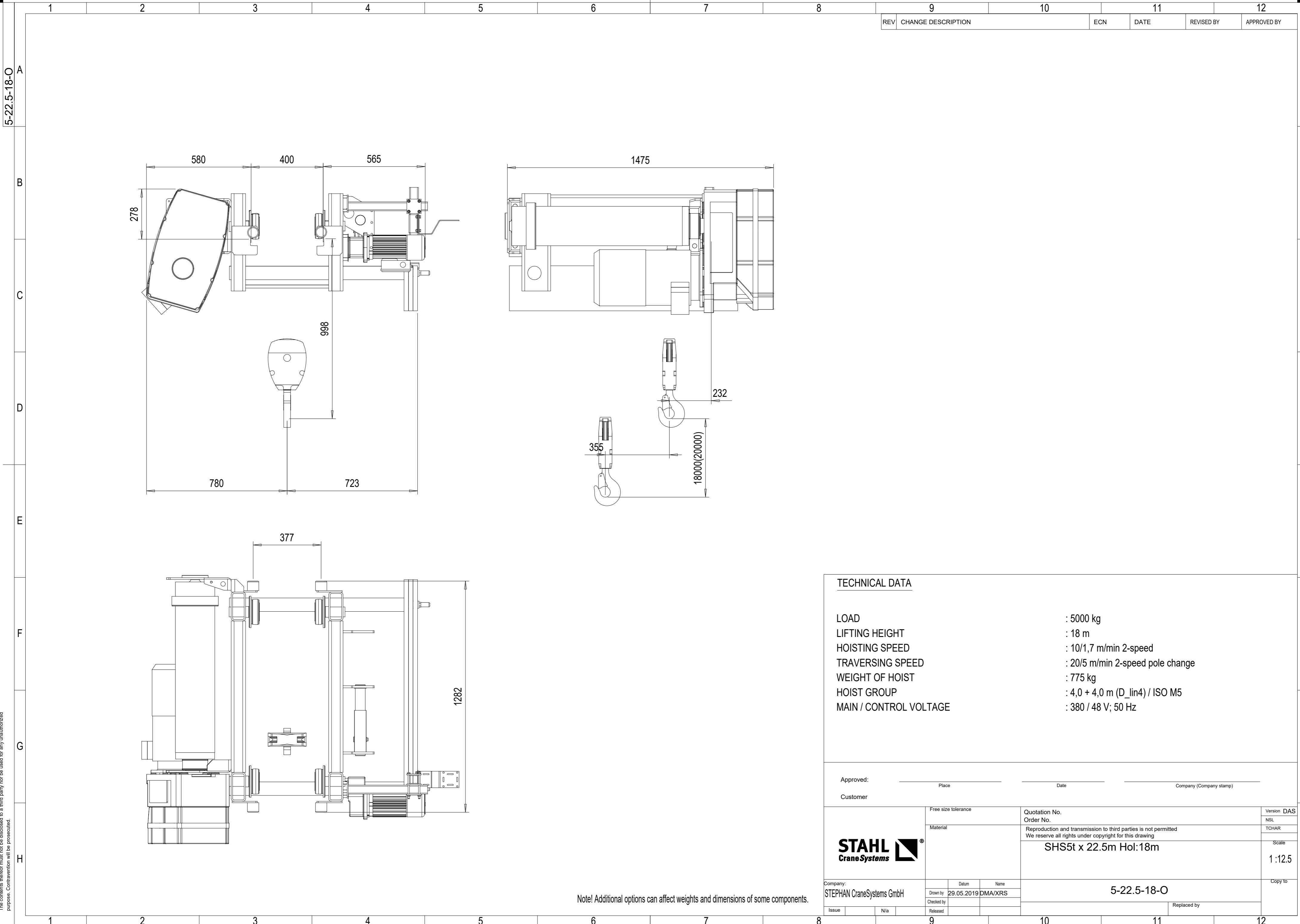


This document is the absolute property of STEPHAN CraneSystems GmbH. This document must not be copied without the written permission of STEPHAN CraneSystems GmbH or its parent company STAHL CraneSystems GmbH. The contents thereof must not be disclosed to a third party nor be used for any unauthorized purpose. Contravention will be prosecuted.



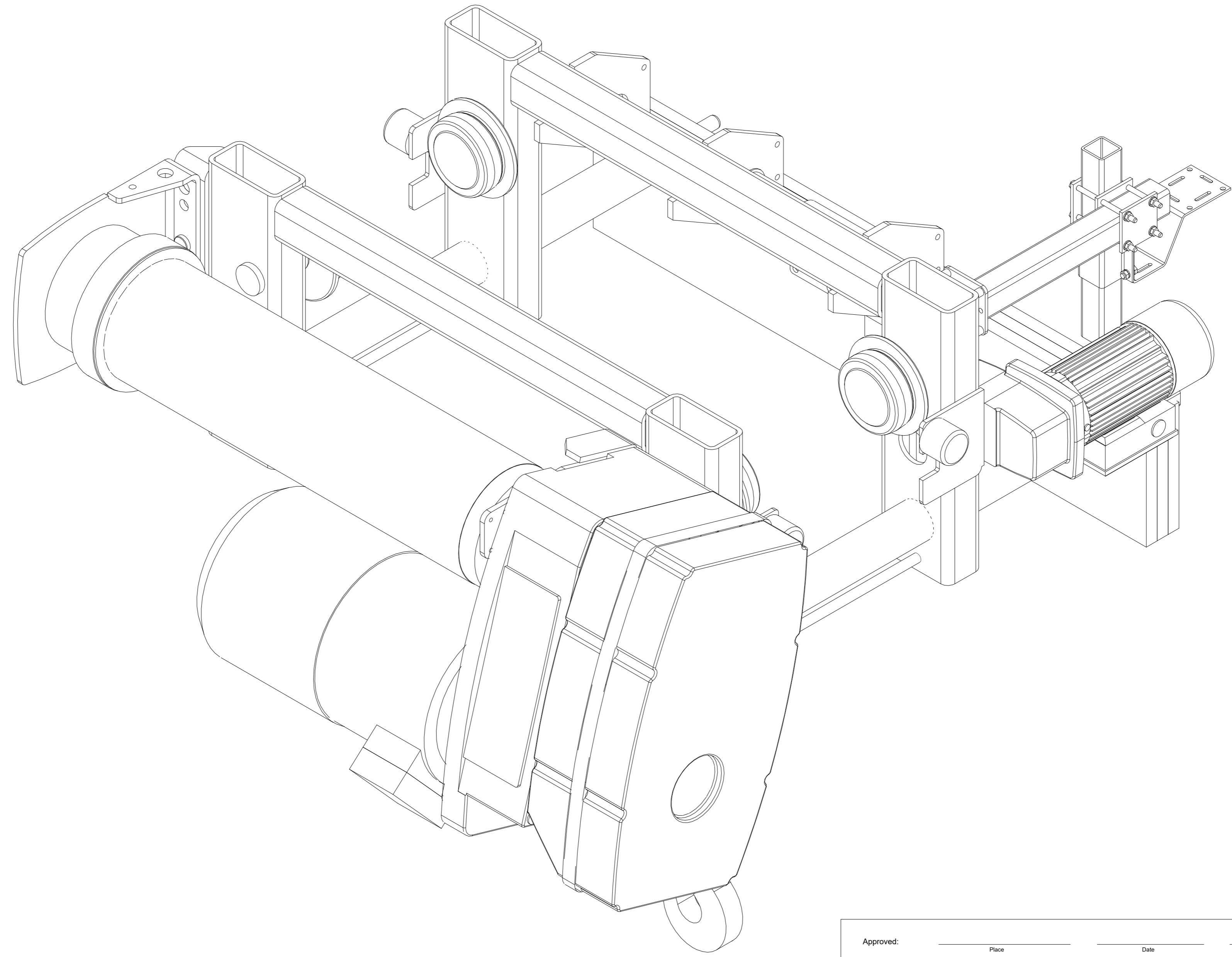
REV	CHANGE DESCRIPTION	ECN	DATE	REVISED BY	APPROVED BY
-----	--------------------	-----	------	------------	-------------

TECHNICAL DATA			
LOAD	: 5000 kg		
LIFTING HEIGHT	: 18 m		
HOISTING SPEED	: 10/1,7 m/min 2-speed		
TRAVERSING SPEED	: 20/5 m/min 2-speed pole change		
WEIGHT OF HOIST	: 775 kg		
HOIST GROUP	: 4,0 + 4,0 m (D_lin4) / ISO M5		
MAIN / CONTROL VOLTAGE	: 380 / 48 V; 50 Hz		
Approved: _____ Place _____ Date _____ Company (Company stamp) _____			
Customer _____			
STAHL CraneSystems	Free size tolerance	Quotation No.	Version DAS
	Material	Order No.	NSL
	Reproduction and transmission to third parties is not permitted We reserve all rights under copyright for this drawing		TCHAR
SHS5t x 22.5m HoI:18m		Scale	1:12.5
Company: STEPHAN CraneSystems GmbH		Copy to	
Issue	N/a	5-22.5-18-O	
Released		Replaced by	


Note! Additional options can affect weights and dimensions of some components.

5-22.5-18-O

REV	CHANGE DESCRIPTION	ECN	DATE	REVISED BY	APPROVED BY
-----	--------------------	-----	------	------------	-------------



This document is the absolute property of STEPHAN CraneSystems GmbH. This document must not be copied without the written permission of STEPHAN CraneSystems GmbH or its parent company STAHL CraneSystems GmbH. This document is intended for use by the customer and is not to be used for any unauthorized purpose. Contravention will be prosecuted.

Approved: _____		Place _____		Date _____		Company (Company stamp) _____	
Customer _____		Free size tolerance _____		Quotation No. _____		Version DAS	
		Material _____		Order No. _____		NSL	
				Reproduction and transmission to third parties is not permitted		TCHAR	
				We reserve all rights under copyright for this drawing		Scale	
Company: STEPHAN CraneSystems GmbH		Datum _____		Name _____		SHS5t x 22.5m Hol:18m	
		Drawn by 29.05.2019 DMA/XRS				1:2.5	
		Checked by _____				Copy to _____	
Issue _____		N/a		Released _____		Replaced by _____	

Note! Additional options can affect weights and dimensions of some components.