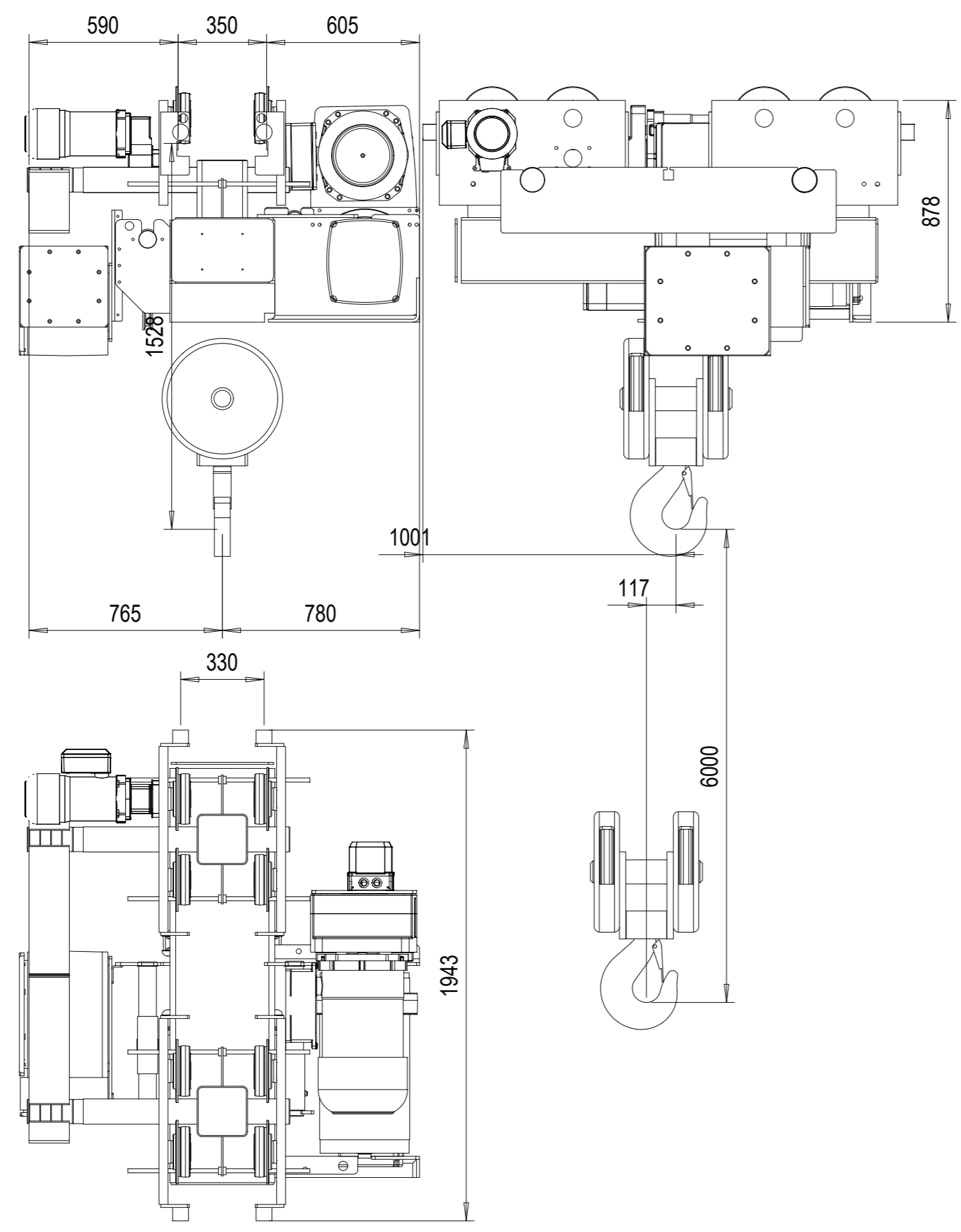


20-4.5-6-OEX



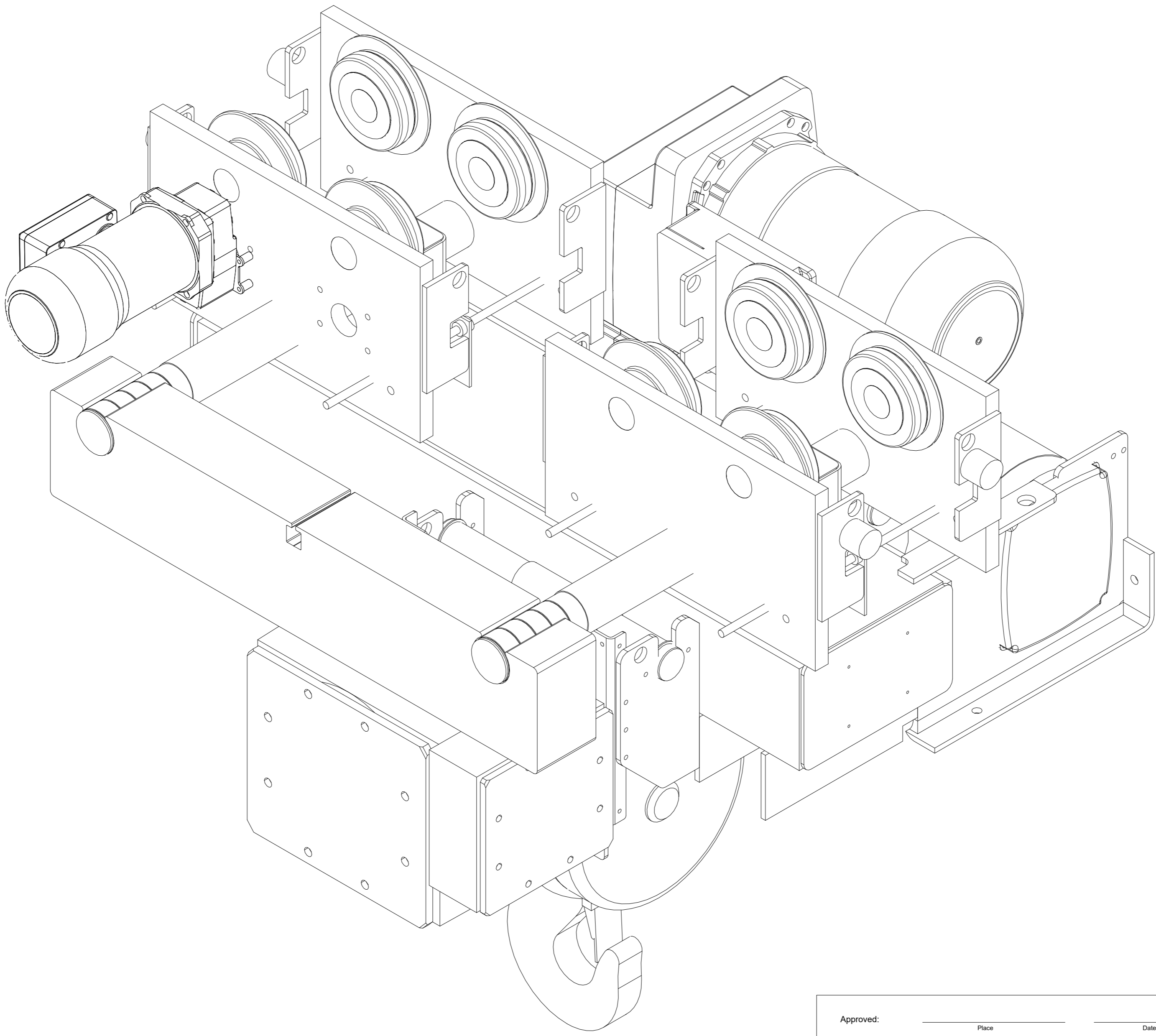
Marking : Ex II 2G Ex de IIB T4 Gb/Ex II 2G ck IIB T4
Ambient temperature : -10°...40° C

TECHNICAL DATA			
LOAD	: 20000 kg		
LIFTING HEIGHT	: 6 m		
HOISTING SPEED	: 3,1/0,52 m/min 2-speed		
TRAVERSING SPEED	: 20/5 m/min 2-speed pole change		
WEIGHT OF HOIST	: 2450 kg		
HOIST GROUP	: 3,0 + 3,0 m (D_lin4) / ISO M5		
MAIN / CONTROL VOLTAGE	: 380 / 48 V; 50 Hz		
Approved:	_____ Place _____ Date _____ Company (Company stamp) _____		
Customer	_____		
STAHL CraneSystems	Free size tolerance	Quotation No.	Version DAS
	Material	Order No.	NSL
	Reproduction and transmission to third parties is not permitted We reserve all rights under copyright for this drawing		TCHAR
SHS EX 20t x 4.5m HoI:6m		Scale	1:20
Company:	STEPHAN CraneSystems GmbH		Copy to
Drawn by	Datum	Name	20-4.5-6-OEX
Checked by	20.05.2019	DMA/XRS	
Released			
Issue	N/a	Replaced by	

Note! Additional options can affect weights and dimensions of some components.


This document is the absolute property of STEPHAN CraneSystems GmbH. This document must not be copied without the written permission of STEPHAN CraneSystems GmbH or its parent company STAHL CraneSystems GmbH. The contents thereof must not be disclosed to a third party nor be used for any unauthorized purpose. Contravention will be prosecuted.

20-4.5-6-OEx



REV	CHANGE DESCRIPTION	ECN	DATE	REVISED BY	APPROVED BY
-----	--------------------	-----	------	------------	-------------

This document is the absolute property of STEPHAN CraneSystems GmbH. This document must not be copied without the written permission of STEPHAN CraneSystems GmbH or its parent company STAHL CraneSystems GmbH. This document is not to be used for any unauthorized purpose. Contravention will be prosecuted.

Approved: _____		Place _____		Date _____		Company (Company stamp) _____	
Customer _____		Free size tolerance		Quotation No. _____		Version DAS	
		Material		Order No. _____		NSL	
				Reproduction and transmission to third parties is not permitted We reserve all rights under copyright for this drawing		TCHAR	
				SHS EX 20t x 4.5m Hol:6m		Scale	
				20-4.5-6-OEx		1:2.5	
Company: STEPHAN CraneSystems GmbH		Datum		Name		Copy to	
		Drawn by 20.05.2019 DMA/XRS					
		Checked by					
Issue		N/a		Released		Replaced by	

Note! Additional options can affect weights and dimensions of some components.