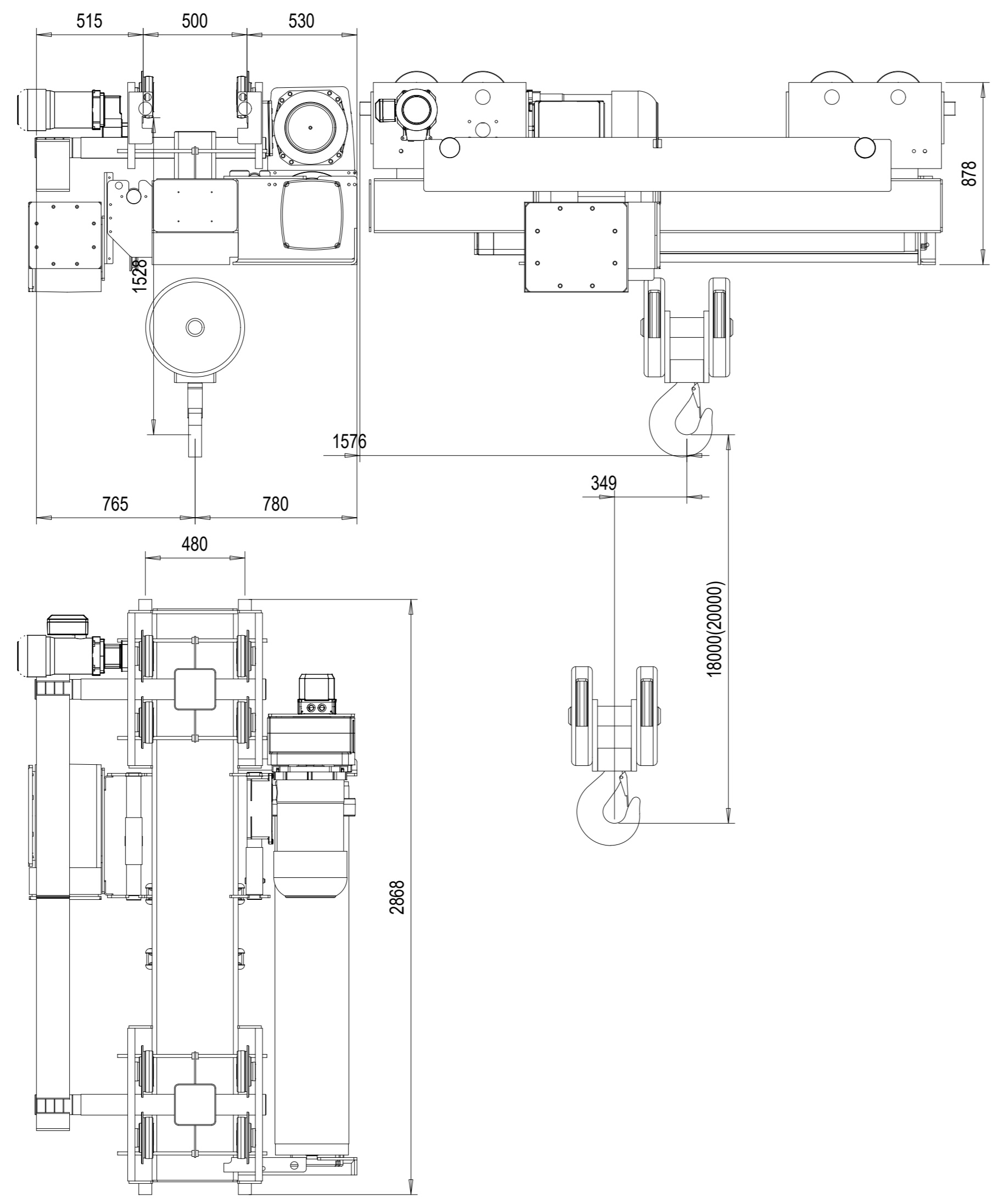


20-22.5-18-ex-OEx

REV	CHANGE DESCRIPTION	ECN	DATE	REVISED BY	APPROVED BY
-----	--------------------	-----	------	------------	-------------



Marking : Ex II 2G Ex de IIB T4 Gb/Ex II 2G ck IIB T4  
Ambient temperature : -10°...40° C

**TECHNICAL DATA**

LOAD	: 20000 kg
LIFTING HEIGHT	: 18 m
HOISTING SPEED	: 3,1/0,52 m/min 2-speed
TRAVERSING SPEED	: 20/5 m/min 2-speed pole change
WEIGHT OF HOIST	: 3050 kg
HOIST GROUP	: 4,0 + 4,0 m (D_lin4) / ISO M5
MAIN / CONTROL VOLTAGE	: 380 / 48 V; 50 Hz

Approved: \_\_\_\_\_ Place \_\_\_\_\_ Date \_\_\_\_\_ Company (Company stamp) \_\_\_\_\_  
Customer \_\_\_\_\_

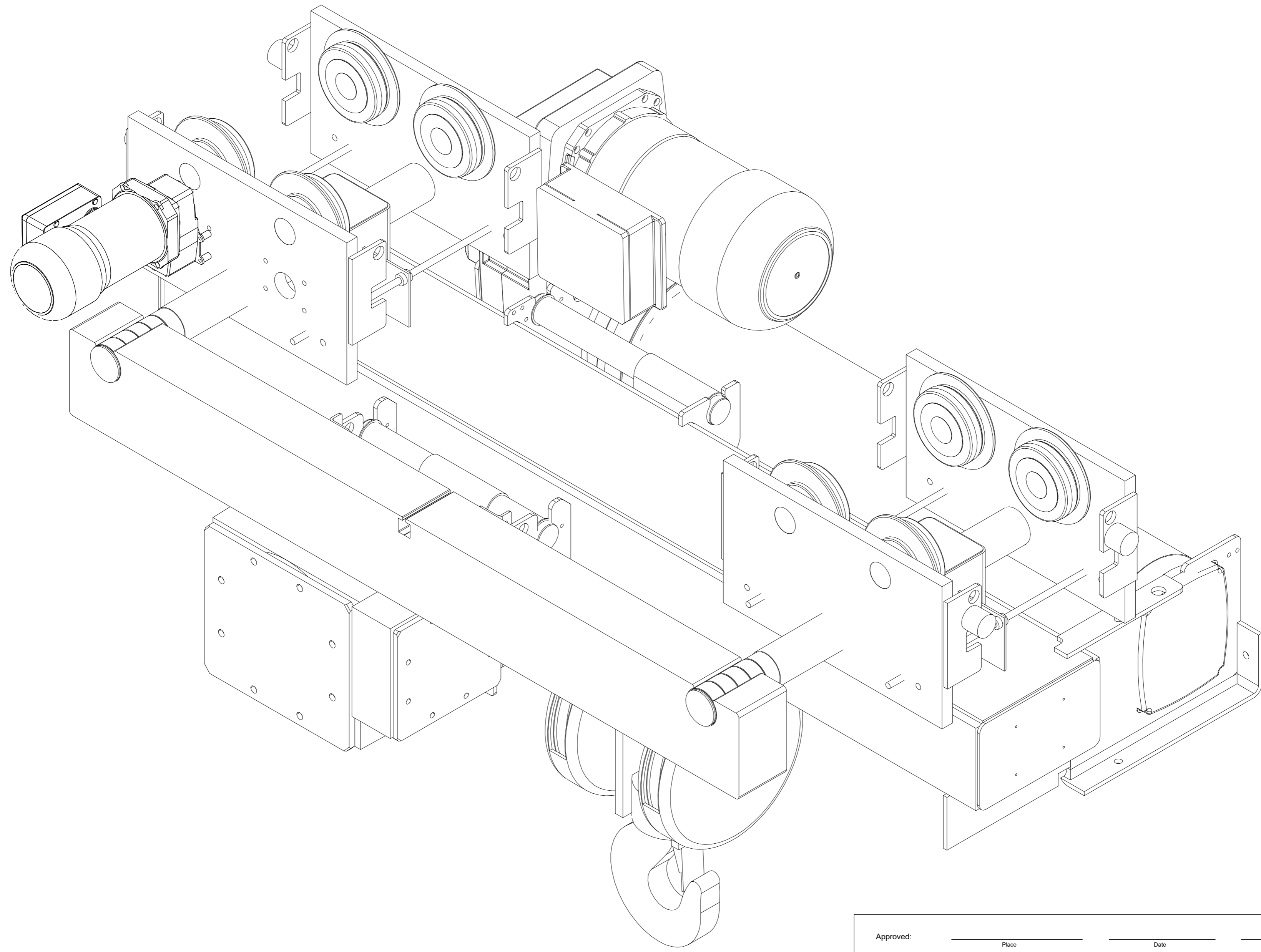
	Free size tolerance	Quotation No.	Version DAS
	Material	Order No.	NSL
	Reproduction and transmission to third parties is not permitted We reserve all rights under copyright for this drawing		TCHAR
SHS EX 20t x 22.5m Hol:18m		Scale	1:20
Company: STEPHAN CraneSystems GmbH		Copy to	
Drawn by	Datum	Name	20-22.5-18-ex-OEx
Checked by	28.05.2019	DMA/XRS	
Released			
Issue	N/a	Replaced by	

Note! Additional options can affect weights and dimensions of some components.

This document is the absolute property of STEPHAN CraneSystems GmbH. This document must not be copied without the written permission of STEPHAN CraneSystems GmbH or its parent company STAH CraneSystems GmbH. The contents thereof must not be disclosed to a third party nor be used for any unauthorized purpose. Contravention will be prosecuted.


20-22.5-18-ex-OEx

REV	CHANGE DESCRIPTION	ECN	DATE	REVISED BY	APPROVED BY
-----	--------------------	-----	------	------------	-------------



This document is the absolute property of STEPHAN CraneSystems GmbH. This document must not be copied without the written permission of STEPHAN CraneSystems GmbH or its parent company STAHL CraneSystems GmbH. This document is intended for internal use only and is not to be used for any unauthorized purpose. Contravention will be prosecuted.

Note! Additional options can affect weights and dimensions of some components.

Approved: _____		Place _____		Date _____		Company (Company stamp) _____	
Customer _____		Free size tolerance _____		Quotation No. _____		Version DAS _____	
		Material _____		Order No. _____		NSL _____	
				Reproduction and transmission to third parties is not permitted		TCHAR _____	
				We reserve all rights under copyright for this drawing		Scale _____	
Company: STEPHAN CraneSystems GmbH		Datum _____		Name _____		SHS EX 20t x 22.5m Hol:18m	
		Drawn by 28.05.2019 DMA/XRS				1:2.5	
		Checked by _____				Copy to _____	
Issue _____		N/a _____		Released _____		Replaced by _____	