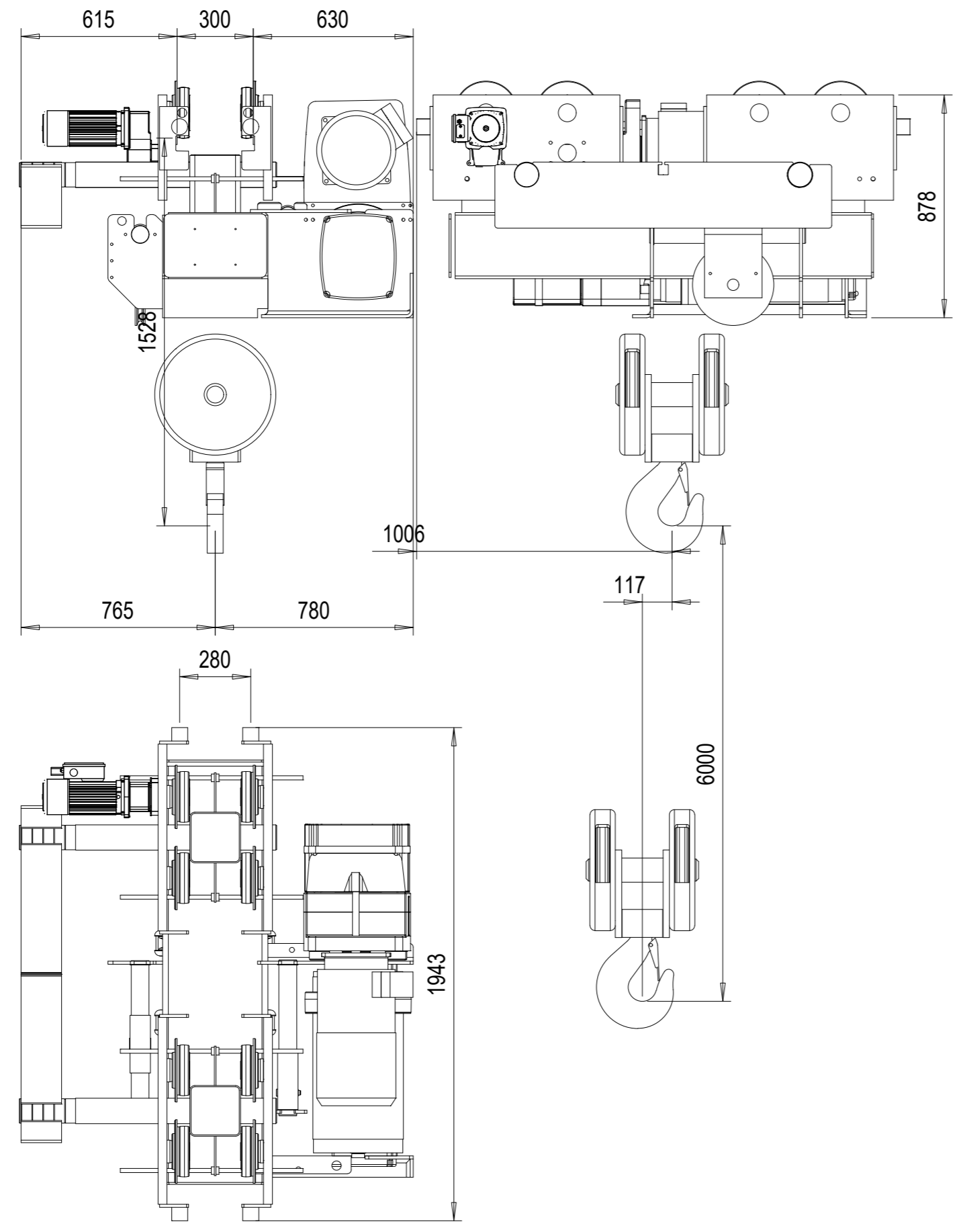


20-4.5-6-O

REV	CHANGE DESCRIPTION	ECN	DATE	REVISED BY	APPROVED BY
-----	--------------------	-----	------	------------	-------------

A
B
C
D
E
F
G
H



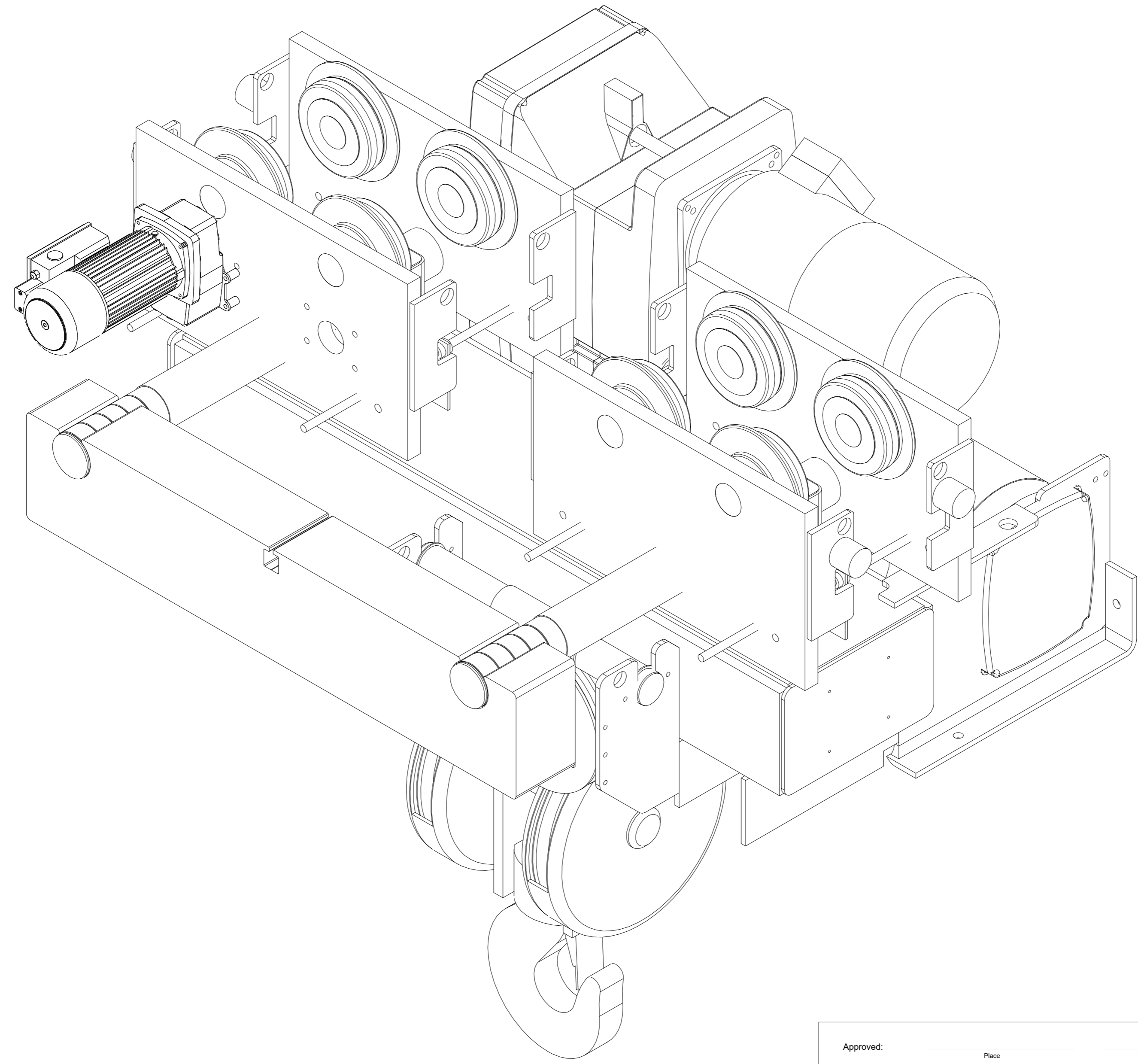
TECHNICAL DATA			
LOAD	:	20000 kg	
LIFTING HEIGHT	:	6 m	
HOISTING SPEED	:	4/0,67 m/min 2-speed	
TRAVERSING SPEED	:	20/5 m/min 2-speed pole change	
WEIGHT OF HOIST	:	2405 kg	
HOIST GROUP	:	3,0 + 3,0 m (D_lin4) / ISO M5	
MAIN / CONTROL VOLTAGE	:	380 / 48 V; 50 Hz	
Approved: _____ Place _____ Date _____ Company (Company stamp) _____			
Customer _____			
	Free size tolerance	Quotation No.	Version DAS
	Material	Order No.	NSL
	Reproduction and transmission to third parties is not permitted We reserve all rights under copyright for this drawing		TCHAR
SHS20t x 4.5m Hol:6m			1:20
Company: STEPHAN CraneSystems GmbH		Copy to	
Drawn by	Datum	Name	
30.05.2019	DMA	XRS	20-4.5-6-O
Checked by			
Released			Replaced by
Issue	N/a		

Note! Additional options can affect weights and dimensions of some components.

This document is the absolute property of STEPHAN CraneSystems GmbH. This document must not be copied without the written permission of STEPHAN CraneSystems GmbH or its parent company, STAH CraneSystems GmbH. The contents thereof must not be disclosed to a third party nor be used for any unauthorized purpose. Contravention will be prosecuted.

REV	CHANGE DESCRIPTION	ECN	DATE	REVISED BY	APPROVED BY
-----	--------------------	-----	------	------------	-------------

20-4.5-6-O



B

C

D


E

F

G

H

This document is the absolute property of STEPHAN CraneSystems GmbH. This document must not be copied without the written permission of STEPHAN CraneSystems GmbH or its parent company STAHL CraneSystems GmbH. This document is intended for internal use only and is not to be used for any unauthorized purpose. Contravention will be prosecuted.

Approved: _____		Place _____		Date _____		Company (Company stamp) _____	
Customer _____		Free size tolerance _____		Quotation No. _____		Version DAS	
		Material _____		Order No. _____		NSL	
				Reproduction and transmission to third parties is not permitted We reserve all rights under copyright for this drawing		TCHAR	
Company: STEPHAN CraneSystems GmbH		Drawn by 30.05.2019 DMA/XRS Checked by _____ Released _____		SHS20t x 4.5m Hol:6m		Scale 1:2.5	
				20-4.5-6-O		Copy to _____	
Issue _____	N/a	Replaced by _____		_____		_____	

Note! Additional options can affect weights and dimensions of some components.