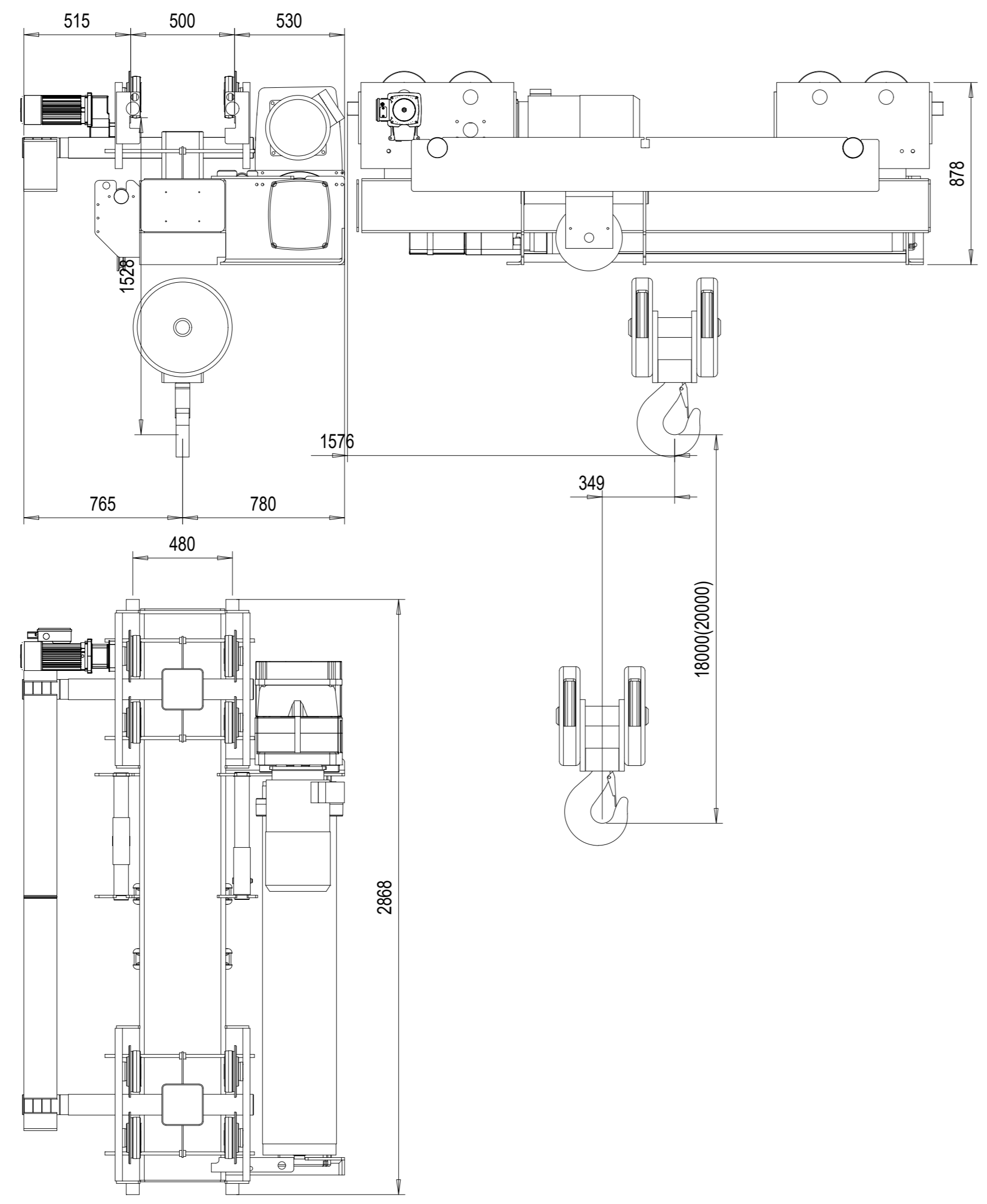


20-22.5-18-O

REV	CHANGE DESCRIPTION	ECN	DATE	REVISED BY	APPROVED BY
-----	--------------------	-----	------	------------	-------------

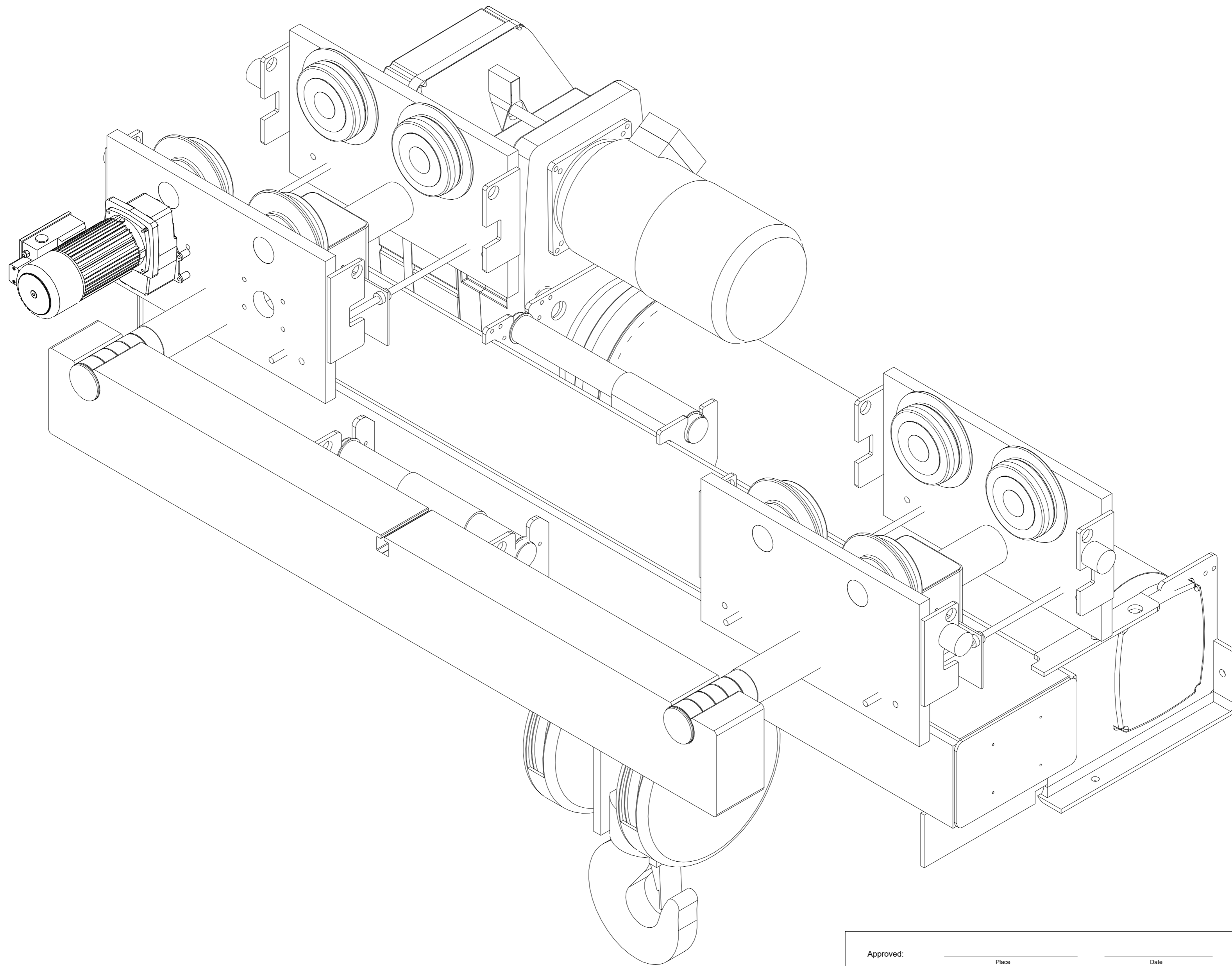


TECHNICAL DATA			
LOAD	: 20000 kg		
LIFTING HEIGHT	: 18 m		
HOISTING SPEED	: 4/0,67 m/min 2-speed		
TRAVERSING SPEED	: 20/5 m/min 2-speed pole change		
WEIGHT OF HOIST	: 3188 kg		
HOIST GROUP	: 4,0 + 4,0 m (D_lin4) / ISO M5		
MAIN / CONTROL VOLTAGE	: 380 / 48 V; 50 Hz		
Approved: _____ Place _____ Date _____ Company (Company stamp) _____			
Customer _____			
<b>STAHL</b> CraneSystems	Free size tolerance	Quotation No.	Version DAS
	Material	Order No.	NSL
	Reproduction and transmission to third parties is not permitted We reserve all rights under copyright for this drawing		TCHAR
SHS20t x 22.5m Hol:18m		Scale	1:20
Company: STEPHAN CraneSystems GmbH		Copy to	
Drawn by	Datum	Name	20-22.5-18-O
Checked by	30.05.2019	DMA/XRS	
Released			
Issue	N/a	Replaced by	

Note! Additional options can affect weights and dimensions of some components.


This document is the absolute property of STEPHAN CraneSystems GmbH. This document must not be copied without the written permission of STEPHAN CraneSystems GmbH or its parent company STAHL CraneSystems GmbH. The contents thereof must not be disclosed to a third party nor be used for any unauthorized purpose. Contravention will be prosecuted.

20-22.5-18-O



REV	CHANGE DESCRIPTION	ECN	DATE	REVISED BY	APPROVED BY
-----	--------------------	-----	------	------------	-------------

This document is the absolute property of STEPHAN CraneSystems GmbH. This document must not be copied without the written permission of STEPHAN CraneSystems GmbH or its parent company STAHL CraneSystems GmbH. This document is intended for internal use only and is not to be used for any unauthorized purpose. Contravention will be prosecuted.

Approved: _____ Place _____ Date _____ Company (Company stamp) _____		Version DAS	
Customer _____		Free size tolerance	Order No.
	Material	Reproduction and transmission to third parties is not permitted We reserve all rights under copyright for this drawing	NSL
		SHS20t x 22.5m Hol:18m	TCHAR
Company: STEPHAN CraneSystems GmbH	Datum	20-22.5-18-O	Scale
Drawn by	30.05.2019 DMA/XRS		1:2.5
Checked by			Copy to
Issue	N/a	Released	Replaced by

Note! Additional options can affect weights and dimensions of some components.