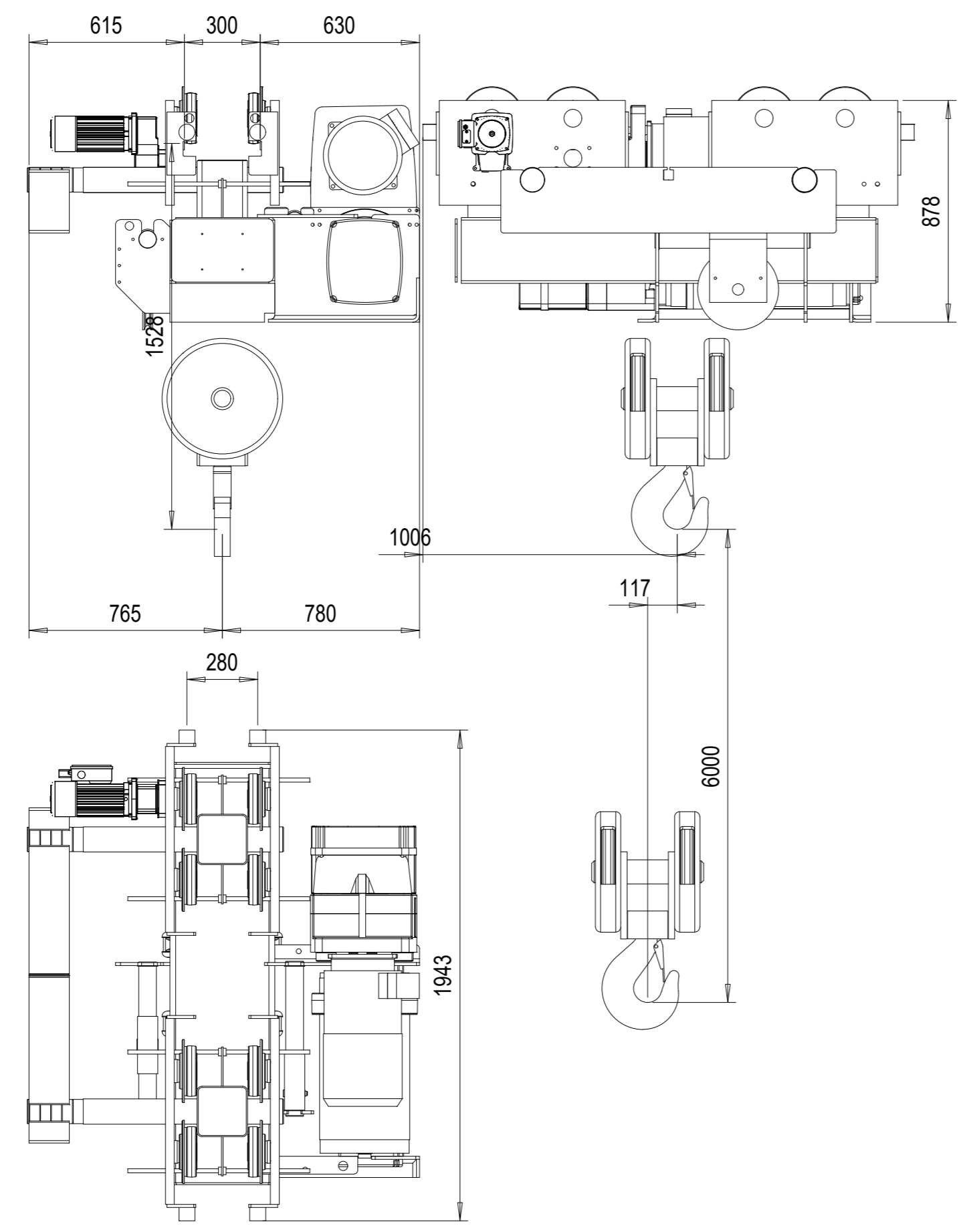


25-4.5-6-O

A  
B  
C  
D  
E  
F  
G  
H

REV	CHANGE DESCRIPTION	ECN	DATE	REVISED BY	APPROVED BY
-----	--------------------	-----	------	------------	-------------



TECHNICAL DATA	
LOAD	: 25000 kg
LIFTING HEIGHT	: 6 m
HOISTING SPEED	: 3,1/0,52 m/min 2-speed
TRAVERSING SPEED	: 20/5 m/min 2-speed pole change
WEIGHT OF HOIST	: 2405 kg
HOIST GROUP	: 3,0 + 3,0 m (D_lin4) / ISO M4
MAIN / CONTROL VOLTAGE	: 380 / 48 V; 50 Hz

Approved: \_\_\_\_\_ Place \_\_\_\_\_ Date \_\_\_\_\_ Company (Company stamp) \_\_\_\_\_  
Customer \_\_\_\_\_

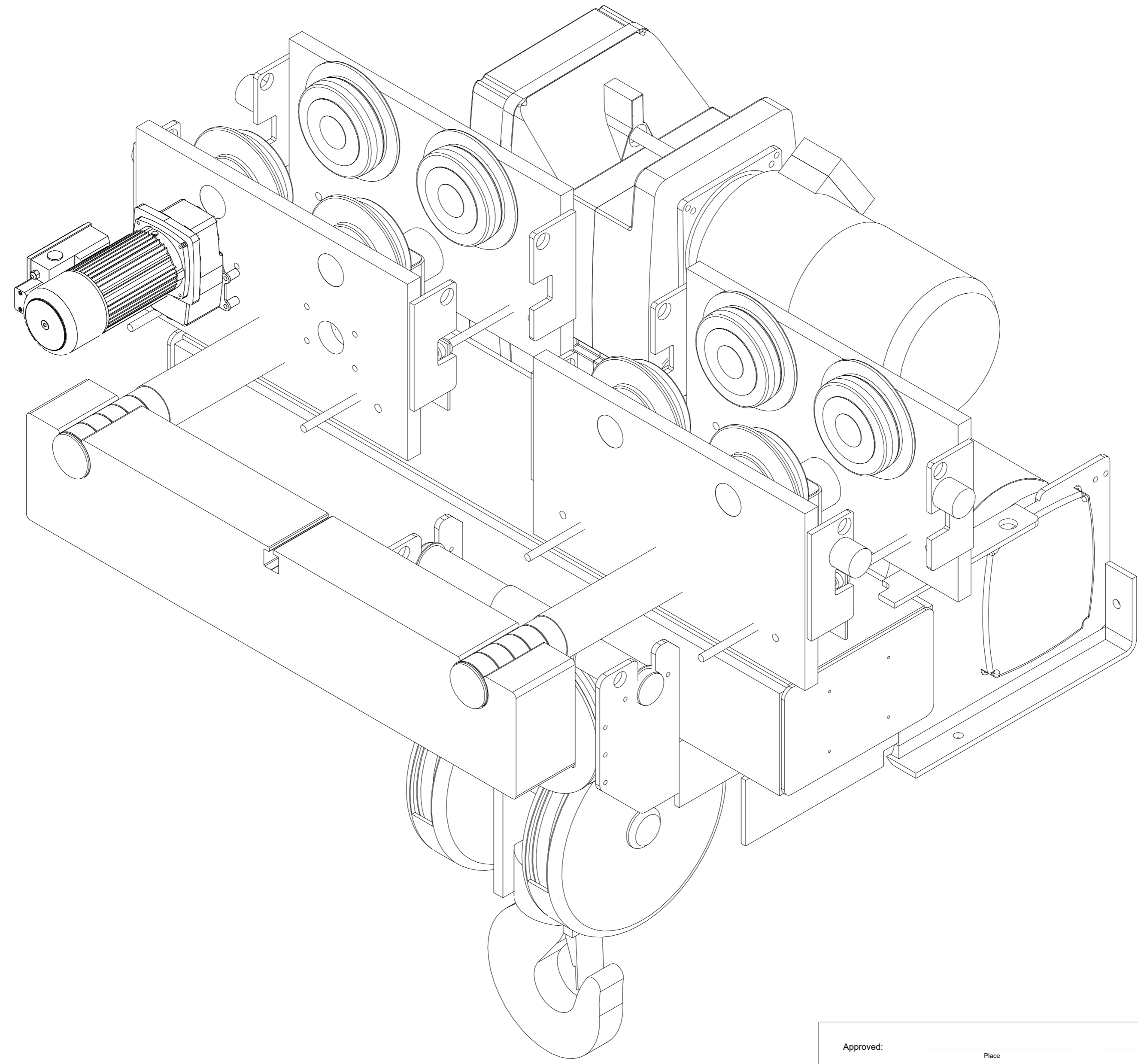
	Free size tolerance	Quotation No.	Version DAS
	Material	Order No.	NSL
	Reproduction and transmission to third parties is not permitted We reserve all rights under copyright for this drawing		TCHAR
	SHS25t x 4.5m Hol:6m		Scale
Company: STEPHAN CraneSystems GmbH		25-4.5-6-O	1:20
Issue	N/a	Replaced by	Copy to

Note! Additional options can affect weights and dimensions of some components.

This document is the absolute property of STEPHAN CraneSystems GmbH. This document must not be copied without the written permission of STEPHAN CraneSystems GmbH or its parent company STAH CraneSystems GmbH. The contents thereof must not be disclosed to a third party nor be used for any unauthorized purpose. Contravention will be prosecuted.

REV	CHANGE DESCRIPTION	ECN	DATE	REVISED BY	APPROVED BY
-----	--------------------	-----	------	------------	-------------

25-4.5-6-O



B

C

D


E

F

G

H

This document is the absolute property of STEPHAN CraneSystems GmbH. This document must not be copied without the written permission of STEPHAN CraneSystems GmbH or its parent company STAHL CraneSystems GmbH. This document is not to be used for any unauthorized purpose. Contravention will be prosecuted.

Approved: _____		Place _____		Date _____		Company (Company stamp) _____	
Customer _____		Free size tolerance _____		Quotation No. _____		Version DAS	
		Material _____		Order No. _____		NSL	
				Reproduction and transmission to third parties is not permitted		TCHAR	
				We reserve all rights under copyright for this drawing		Scale	
Company: STEPHAN CraneSystems GmbH		Datum _____		Name _____		SHS25t x 4.5m Hol:6m	
Issue _____		N/a _____		Released _____		1:2.5	
				Down by 30.05.2019 DMA/XRS		Copy to _____	
				Checked by _____			
				Replaced by _____			

Note! Additional options can affect weights and dimensions of some components.