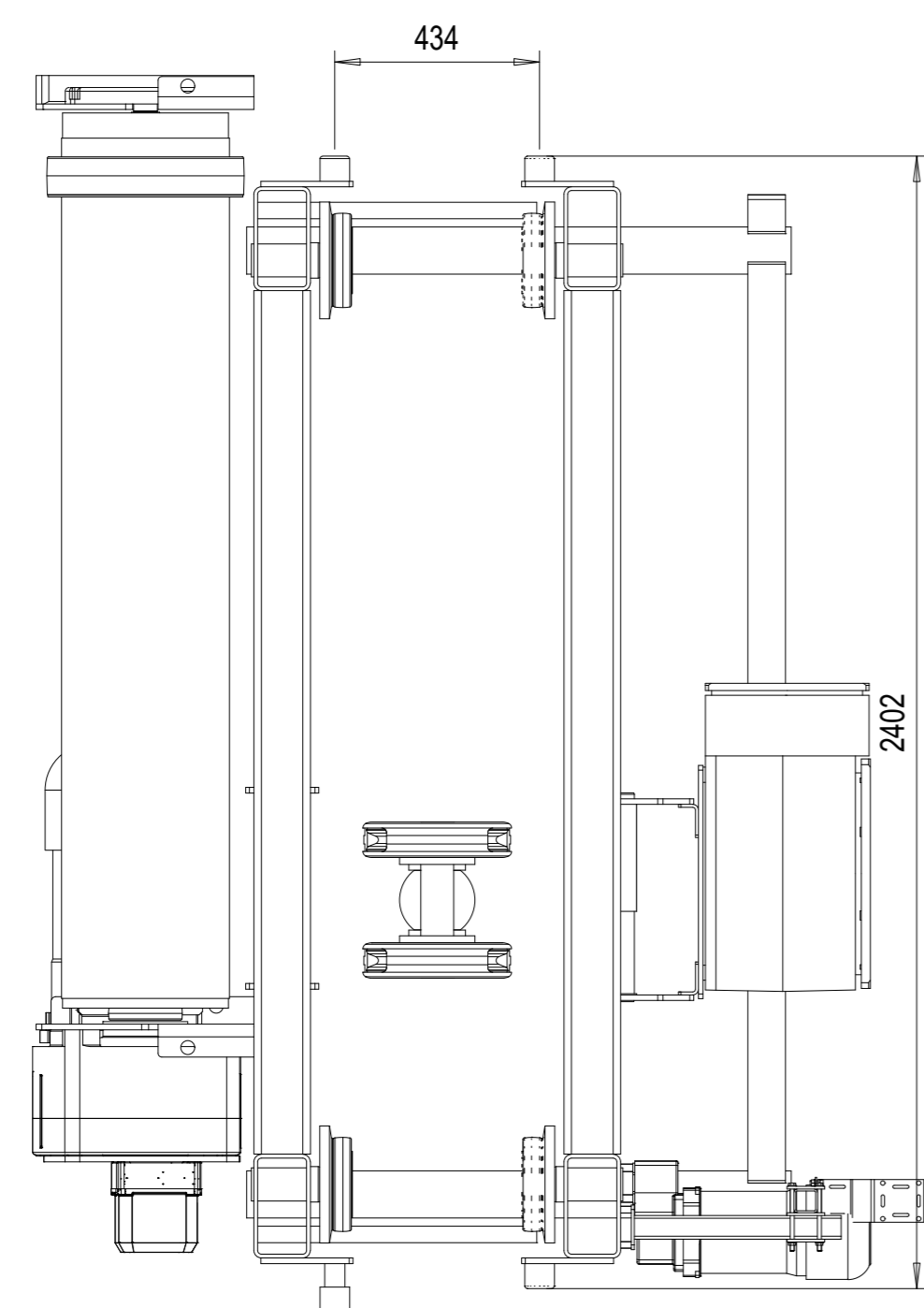
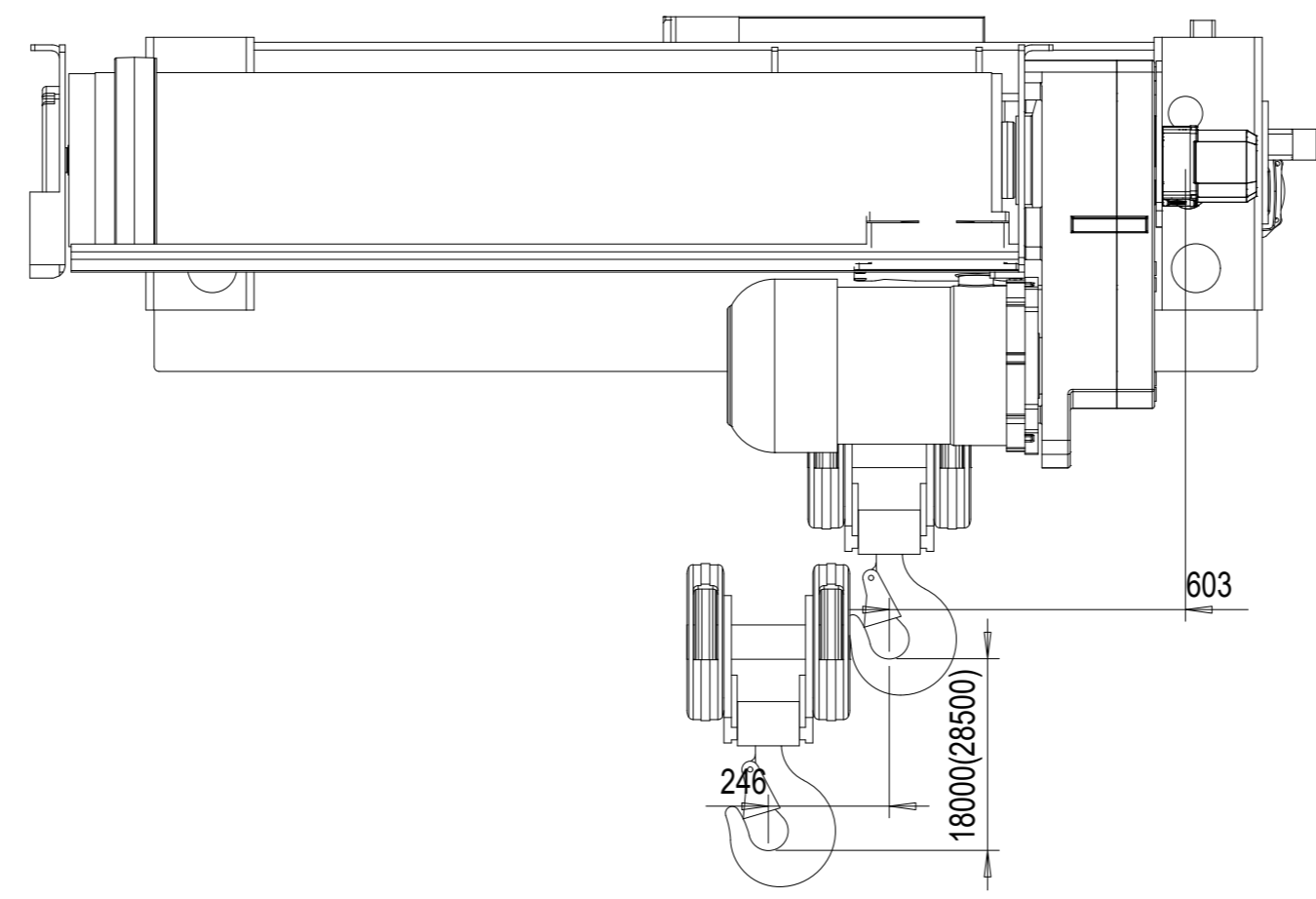
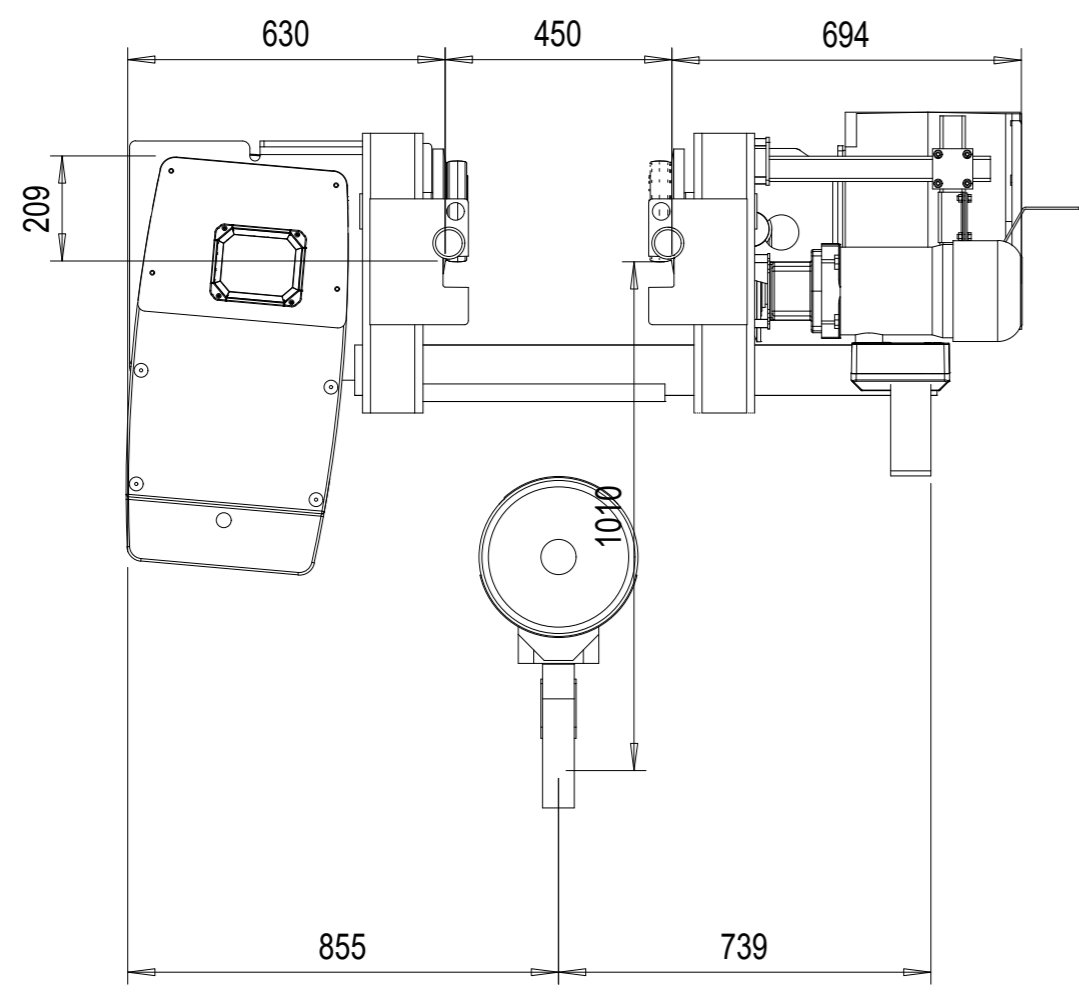


16-22.5-18-ex-OEx

REV	CHANGE DESCRIPTION	ECN	DATE	REVISED BY	APPROVED BY
-----	--------------------	-----	------	------------	-------------



Marking : Ex II 2G Ex de IIB T4 Gb/Ex II 2G ck IIB T4
Ambient temperature : -10°...40° C

TECHNICAL DATA	
LOAD	: 16000 kg
LIFTING HEIGHT	: 18 m
HOISTING SPEED	: 3,8/0,63 m/min 2-speed
TRAVERSING SPEED	: 20/5 m/min 2-speed pole change
WEIGHT OF HOIST	: 1960 kg
HOIST GROUP	: 4,0 + 4,0 m (D_lin4) / ISO M4
MAIN / CONTROL VOLTAGE	: 380 / 48 V; 50 Hz

Approved: _____ Place _____ Date _____ Company (Company stamp) _____
Customer _____

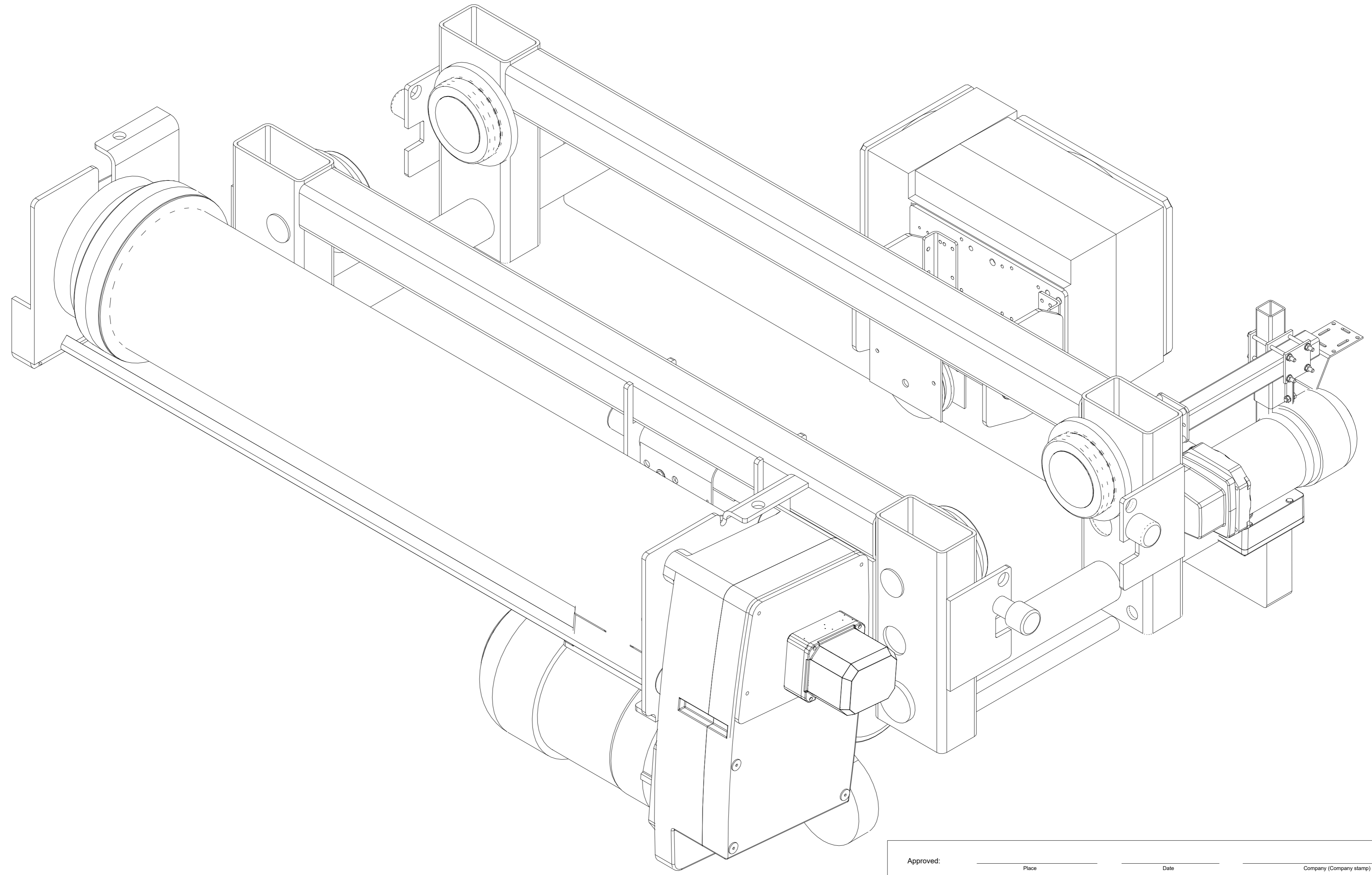
	Free size tolerance	Quotation No.	Version DAS
	Material	Order No.	NSL
	Reproduction and transmission to third parties is not permitted We reserve all rights under copyright for this drawing		TCHAR
SHS EX 16t x 22.5m Hol:18m		Scale	1:15.0
Company: STEPHAN CraneSystems GmbH		16-22.5-18-ex-OEx	Copy to
Issue	N/a	Released	Replaced by

Note! Additional options can affect weights and dimensions of some components.

This document is the absolute property of STEPHAN CraneSystems GmbH. This document must not be copied without the written permission of STEPHAN CraneSystems GmbH or its parent company STAH CraneSystems GmbH. The contents thereof must not be disclosed to a third party nor be used for any unauthorized purpose. Contravention will be prosecuted.

16-22.5-18-ex-OEx

REV	CHANGE DESCRIPTION	ECN	DATE	REVISED BY	APPROVED BY
-----	--------------------	-----	------	------------	-------------



This document is the absolute property of STEPHAN CraneSystems GmbH. This document must not be copied without the written permission of STEPHAN CraneSystems GmbH or its parent company STAHL CraneSystems GmbH. This document is intended for use by the customer and is not to be used for any unauthorized purpose. Contravention will be prosecuted.

Approved: _____		Place _____		Date _____		Company (Company stamp) _____	
Customer _____		Free size tolerance _____		Material _____		Quotation No. _____	
		Order No. _____ Reproduction and transmission to third parties is not permitted We reserve all rights under copyright for this drawing SHS EX 16t x 22.5m Hol:18m		Version DAS		NSL	
				TCHAR		Scale	
Company: STEPHAN CraneSystems GmbH		Drawn by 28.05.2019 DMA/XRS		Checked by _____		Released _____	
Issue _____		N/a		Released _____		Replaced by _____	
				16-22.5-18-ex-OEx		Copy to _____	

Note! Additional options can affect weights and dimensions of some components.