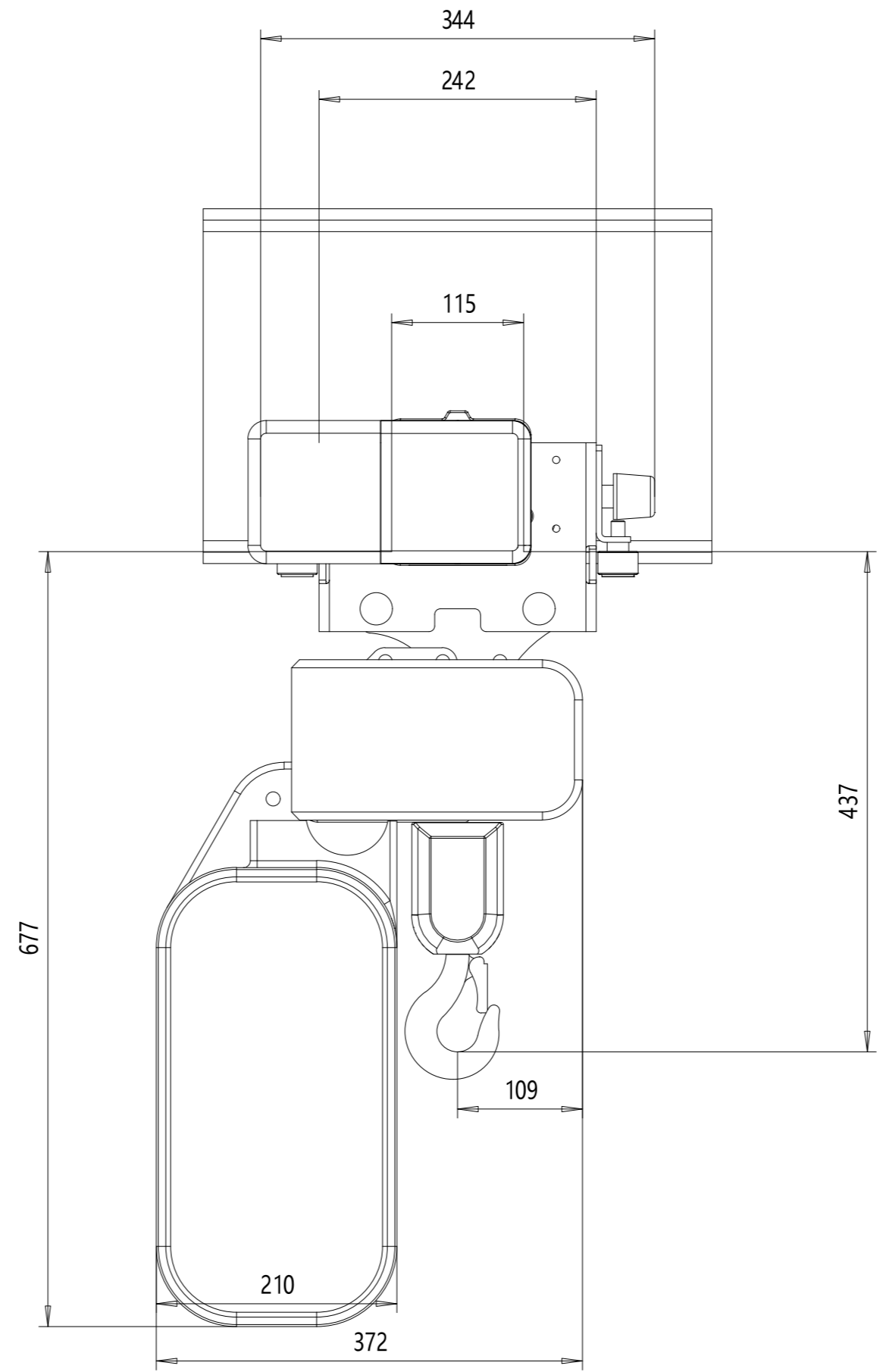
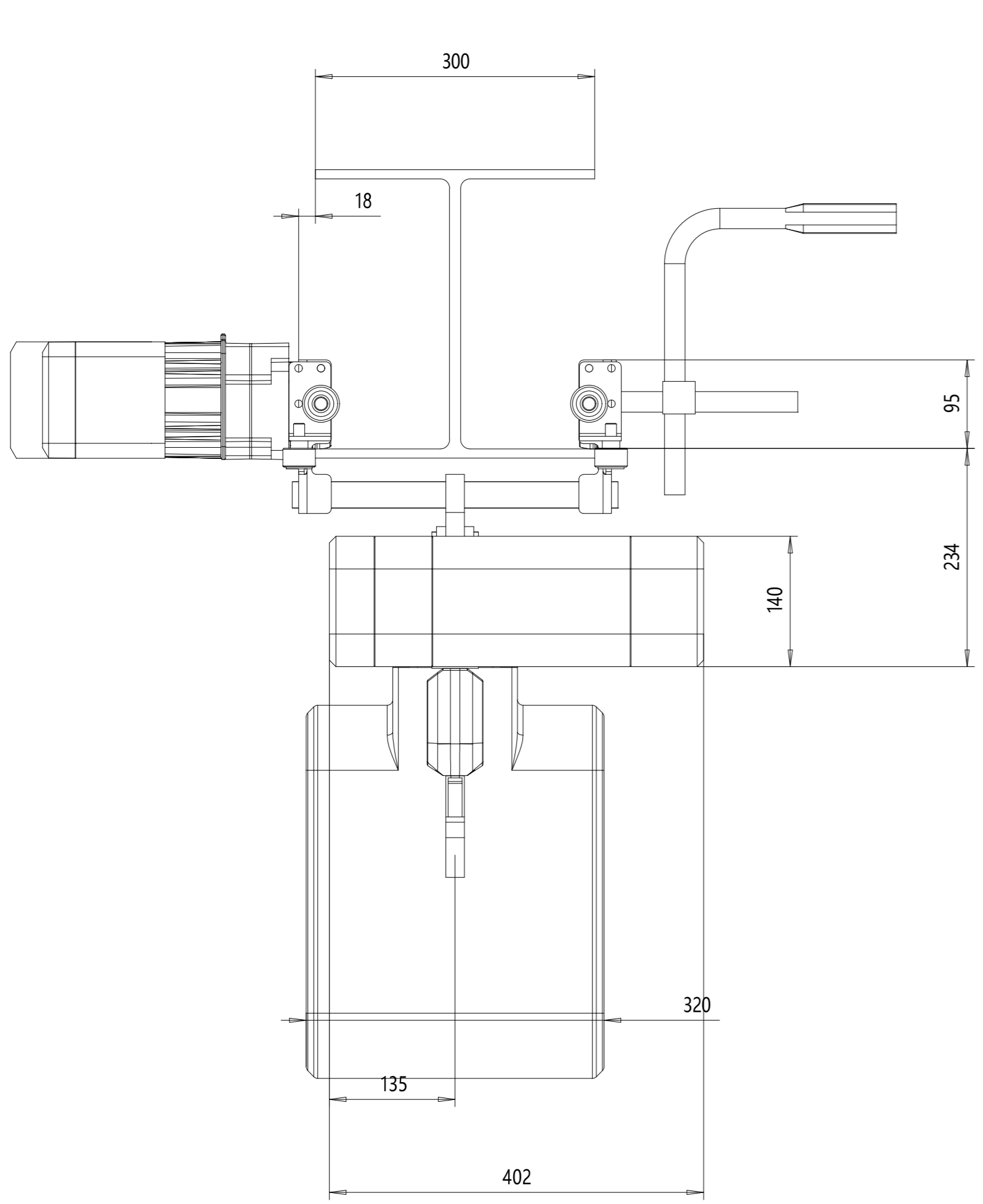


1-19.5-18-O
A
B
C
D
E
F
G
H



TECHNICAL DATA	
LOAD	: 1000 kg
LIFTING HEIGHT	: 18 m
HOISTING SPEED	: 4/1 m/min 2-speed
TRAVERSING SPEED	: 20/5 m/min 2-speed pole change
WEIGHT OF HOIST	: 84 kg
HOIST GROUP	: 4,0 + 4,0 m (D_lin4) / ISO M4
MAIN / CONTROL VOLTAGE	: 380 / 48 V; 50 Hz

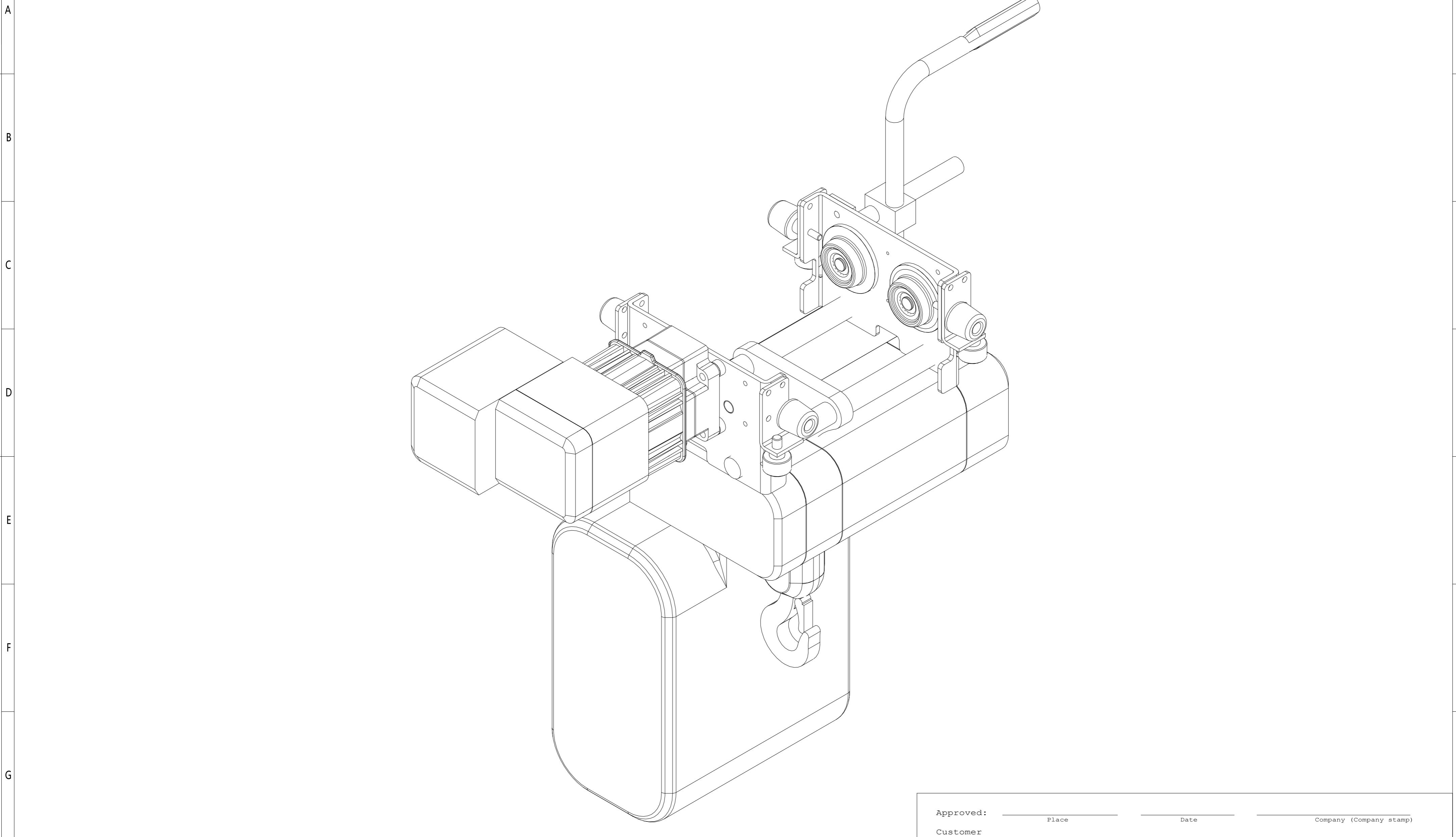
Approved: _____ Place _____ Date _____ Company (Company stamp) _____
Customer _____

	Free size tolerance	Quotation No.	Version DAS
	Material	Order No.	NSL
	Reproduction and transmission to third parties is not permitted We reserve all rights under copyright for this drawing		TCHAR
		STS1t x 19.5m Hol:18m	Scale
			1:5
Company: STEPHAN CraneSystems GmbH		Copy to	
Drawn by: 31.07.2019 DMA/XRS	Datum: _____ Name: _____	1-19.5-18-O	
Checked by: _____	Released: _____	Replaced by: _____	
Issue: _____	N/a		

Note! Additional options can affect weights and dimensions of some components.

This document is the absolute property of STEPHAN CraneSystems GmbH. This document must not be copied, reproduced, distributed, or otherwise made available to third parties without the prior written consent of STEPHAN CraneSystems GmbH. The content of this document is not to be disclosed to a third party nor be used for any unauthorized purpose. Contravention will be prosecuted.

1-19.5-18-O



This document is the absolute property of STEPHAN CraneSystems GmbH. This document must not be copied without the written permission of STEPHAN CraneSystems GmbH or its parent company STAHL CraneSystems GmbH. The contents thereof must not be disclosed to a third party nor be used for any unauthorized purpose. Concomitant will be prosecuted.

Approved: _____		Place _____		Date _____		Company (Company stamp) _____	
Customer _____							
	Free size tolerance		Quotation No.			Version DAS	
	Material		Order No.			NSL	
			Reproduction and transmission to third parties is not permitted			TCHAR	
			We reserve all rights under copyright for this drawing			Scale	
		STS1t x 19.5m Hol:18m			1:2.5		
Company: STEPHAN CraneSystems GmbH		Datum		Name		Copy to	
		Drawn by 31.07.2019		DMA/XRS		1-19.5-18-O	
Issue		N/a		Released		Replaced by	

Note! Additional options can affect weights and dimensions of some components.