

1-22.5-18-OEx

A

B

C

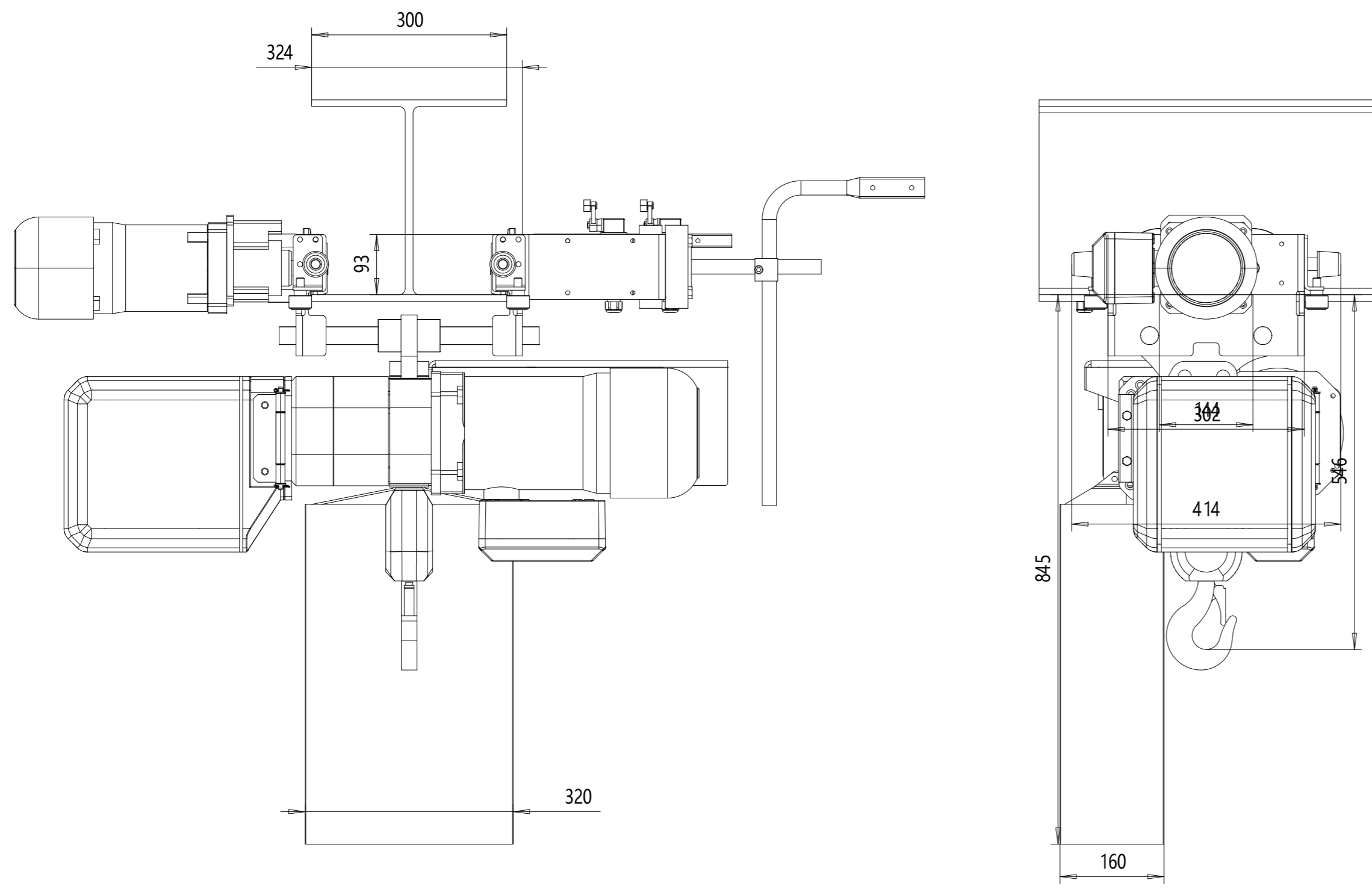
D

E

F

G

H



Marking : Ex II 2G Ex de IIB T4 Gb/Ex II 2G ck IIB T4
 Ambient temperature : -10°...40° C

TECHNICAL DATA

LOAD	: 1000 kg
LIFTING HEIGHT	: 18 m
HOISTING SPEED	: 6/1 m/min 2-speed
TRAVERSING SPEED	: 20/5 m/min 2-speed pole change
WEIGHT OF HOIST	: 298 kg
HOIST GROUP	: 4,0 + 4,0 m (D_lin4) / ISO M6
MAIN / CONTROL VOLTAGE	: 380 / 48 V; 50 Hz

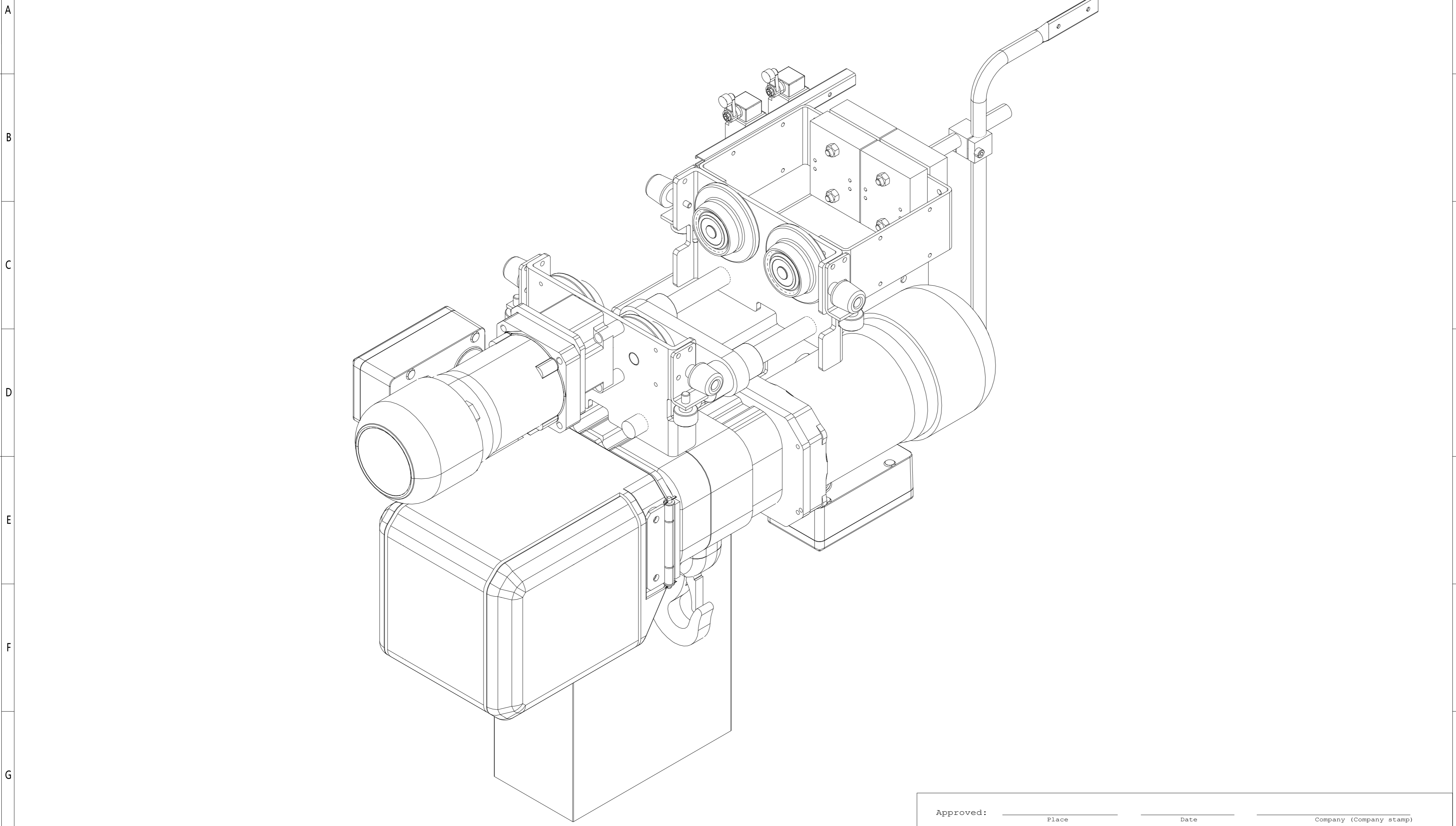
Approved: _____ Place _____ Date _____ Company (Company stamp) _____
 Customer _____

	Free size tolerance	Quotation No.	Version DAS
	Material	Order No.	NSL
	Reproduction and transmission to third parties is not permitted We reserve all rights under copyright for this drawing STS EX 1t x 19.5m Hol:18m		TCHAR
Company: STEPHAN CraneSystems GmbH		Scale 1:7	Copy to
Drawn by: 08.07.2019 DMA/XRS Checked by: Released:	1-22.5-18-OEx		Replaced by:
Issue: N/a			

Note! Additional options can affect weights and dimensions of some components.

This document is the absolute property of STEPHAN CraneSystems GmbH. This document must not be copied without the written consent of STEPHAN CraneSystems GmbH. The consent must not be disclosed to a third party nor be used for any unauthorized purpose. Contravention will be prosecuted.

1-22.5-18-OEx



This document is the absolute property of STEPHAN CraneSystems GmbH. This document must not be copied without the written permission of STEPHAN CraneSystems GmbH or its parent company STAHL CraneSystems GmbH. The contents thereof must not be disclosed to a third party nor be used for any unauthorized purpose. Concomitant will be prosecuted.

Approved: _____		Place _____		Date _____		Company (Company stamp) _____	
Customer _____							
	Free size tolerance		Quotation No.			Version DAS	
	Material		Order No.			NSL	
			Reproduction and transmission to third parties is not permitted			TCHAR	
			We reserve all rights under copyright for this drawing			Scale	
		STS EX 1t x 19.5m Hol:18m			1:2.5		
Company: STEPHAN CraneSystems GmbH		Datum		Name		Copy to	
		Drawn by 08.07.2019		DMA/XRS		1-22.5-18-OEx	
Issue		N/a		Released		Replaced by	

Note! Additional options can affect weights and dimensions of some components.