

REV	CHANGE DESCRIPTION	ECN	DATE	REVISED BY	APPROVED BY
-----	--------------------	-----	------	------------	-------------

2-19.5-18-O

A

B

C

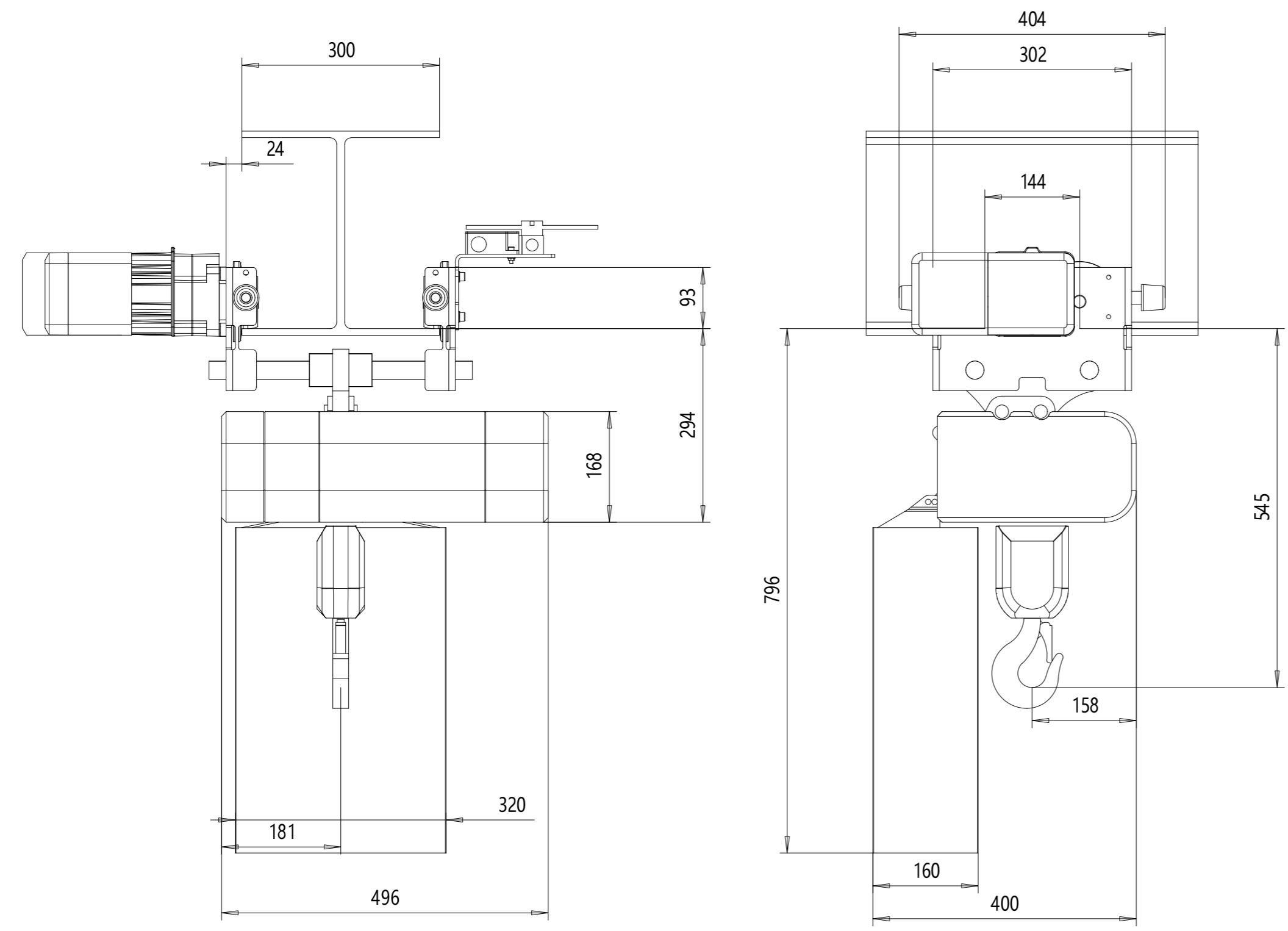
D

E

F

G

H



TECHNICAL DATA

LOAD	: 2000 kg
LIFTING HEIGHT	: 18 m
HOISTING SPEED	: 4/1 m/min 2-speed
TRAVERSING SPEED	: 20/5 m/min 2-speed pole change
WEIGHT OF HOIST	: 153 kg
HOIST GROUP	: 4,0 + 4,0 m (D_lin4) / ISO M4
MAIN / CONTROL VOLTAGE	: 380 / 48 V; 50 Hz

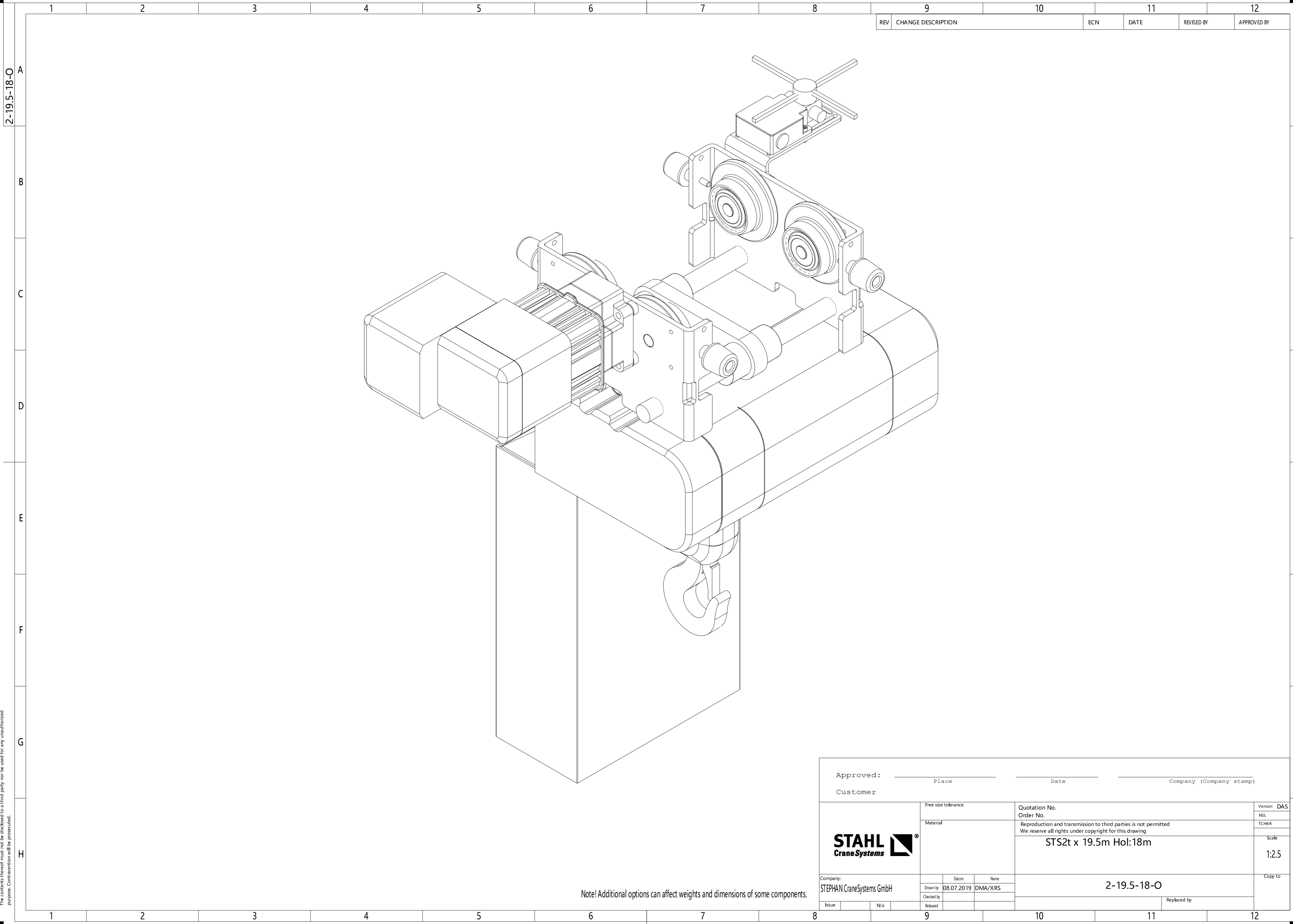
Approved: _____ Place _____ Date _____ Company (Company stamp) _____

Customer _____

	Free size tolerance	Quotation No.	Version DAS
	Material	Order No.	NSL
	Reproduction and transmission to third parties is not permitted We reserve all rights under copyright for this drawing		TCHAR
		STS2t x 19.5m Hol:18m	Scale
			1:7
Company:	STEPHAN CraneSystems GmbH	Copy to	
Drawn by	08.07.2019 DMA/XRS	2-19.5-18-O	
Checked by			
Issue	N/a	Replaced by	

Note! Additional options can affect weights and dimensions of some components.


This document is the absolute property of STEPHAN CraneSystems GmbH. This document must not be copied without the written permission of STEPHAN CraneSystems GmbH. The contents thereof must not be disclosed to a third party nor be used for any unauthorized purpose. Contravention will be prosecuted.



2-19.5-18-O

REV	CHANGE DESCRIPTION	ECN	DATE	REVISED BY	APPROVED BY
-----	--------------------	-----	------	------------	-------------

This document is the absolute property of STEPHAN CraneSystems GmbH. This document must not be copied without the written permission of STEPHAN CraneSystems GmbH or its parent company STAHL CraneSystems GmbH. The contents thereof must not be disclosed to a third party nor be used for any unauthorized purpose. Concomitant will be prosecuted.

Approved: _____		Place _____		Date _____		Company (Company stamp) _____	
Customer _____		Free size tolerance _____		Quotation No. _____		Version DAS _____	
		Material _____		Order No. _____		NSL _____	
				Reproduction and transmission to third parties is not permitted We reserve all rights under copyright for this drawing		TCHAR _____	
Company: STEPHAN CraneSystems GmbH		Drawn by: 08.07.2019 DMA/XRS		STS2t x 19.5m Hol:18m		Scale 1:2.5	
				2-19.5-18-O		Copy to _____	
				Issue _____		Replaced by _____	

Note! Additional options can affect weights and dimensions of some components.