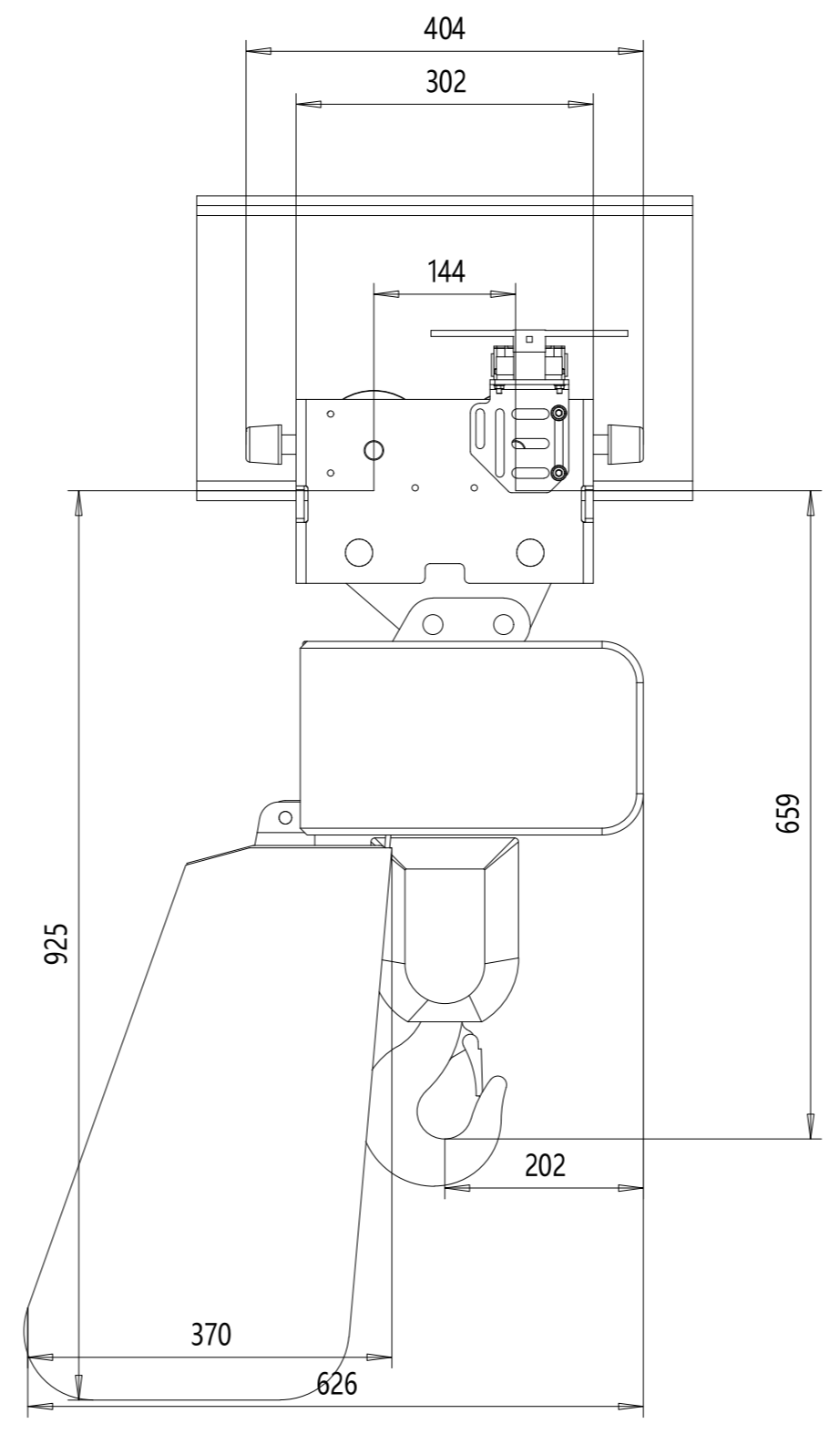
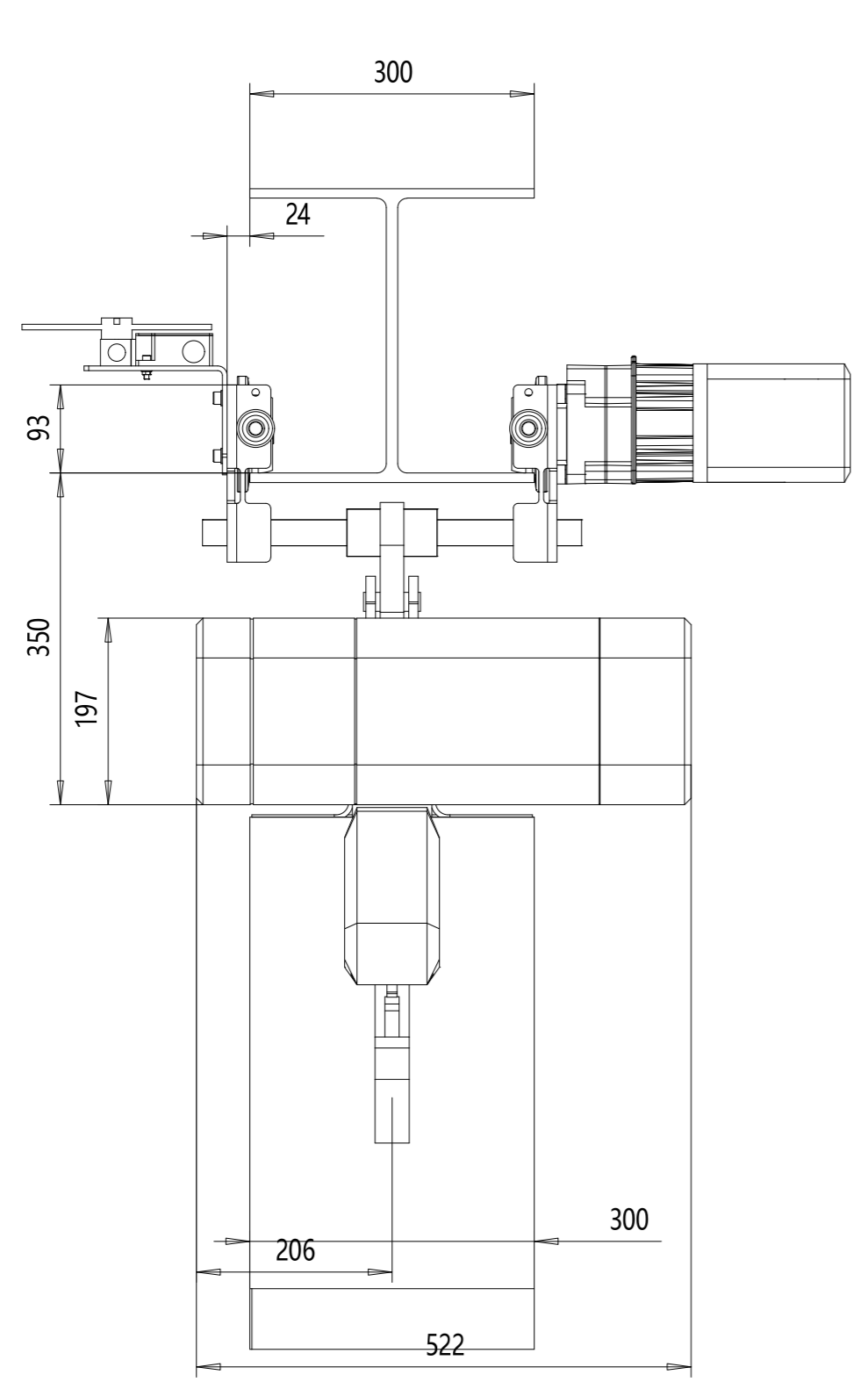


3.2-19.5-18-O

REV	CHANGE DESCRIPTION	ECN	DATE	REVISED BY	APPROVED BY
-----	--------------------	-----	------	------------	-------------



TECHNICAL DATA	
LOAD	: 3200 kg
LIFTING HEIGHT	: 18 m
HOISTING SPEED	: 4/1 m/min 2-speed
TRAVERSING SPEED	: 20/5 m/min 2-speed pole change
WEIGHT OF HOIST	: 223 kg
HOIST GROUP	: 4,0 + 4,0 m (D_lin4) / ISO M5
MAIN / CONTROL VOLTAGE	: 380 / 48 V; 50 Hz

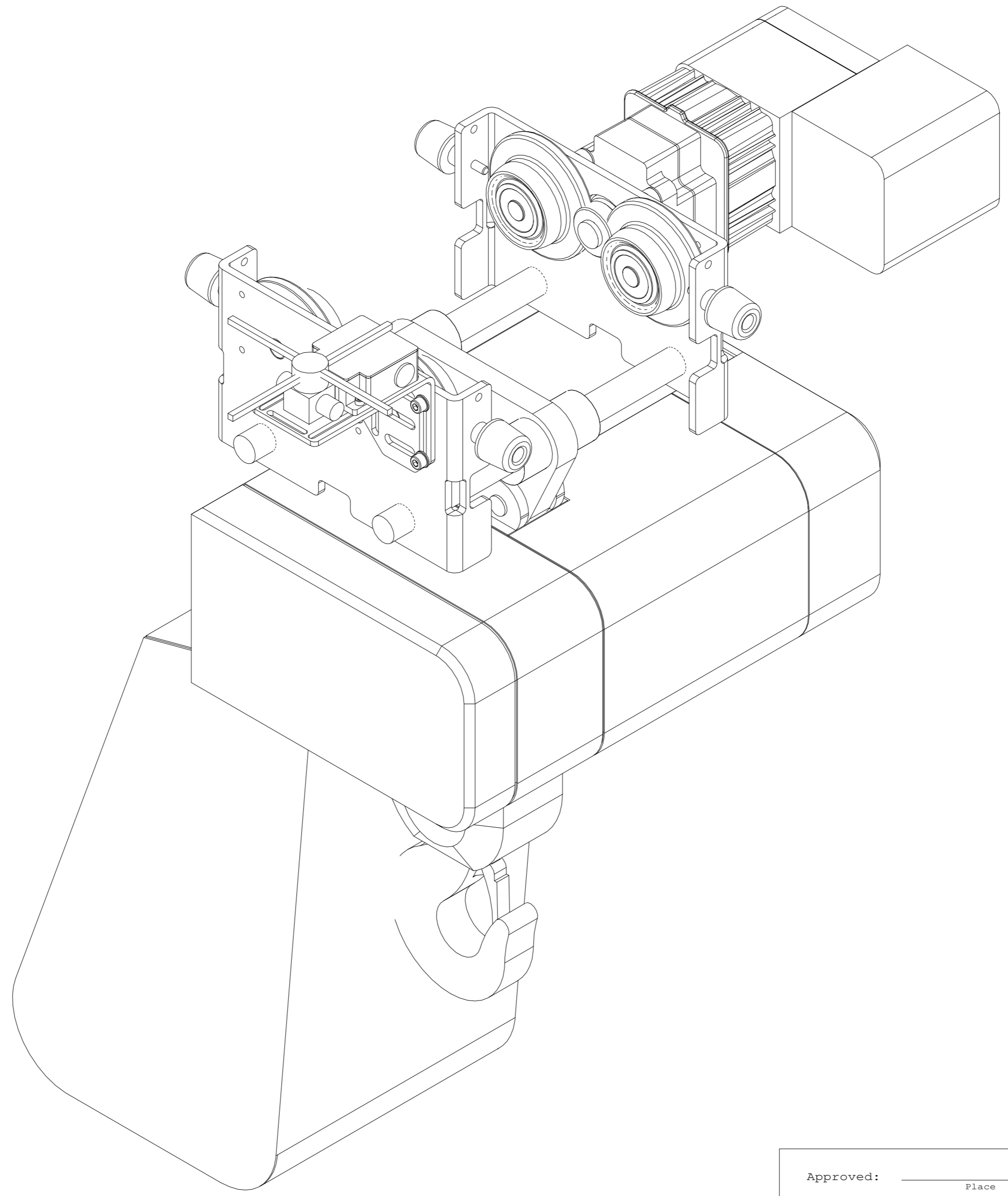
Approved: _____ Place _____ Date _____ Company (Company stamp) _____
 Customer _____

	Free size tolerance	Quotation No.	Version DAS
	Material	Order No.	NSL
		Reproduction and transmission to third parties is not permitted We reserve all rights under copyright for this drawing	TCHAR
		STS3.2t x 19.5m Hol:18m	Scale
			1:7
Company:	Datum	Name	Copy to
STEPHAN CraneSystems GmbH	31.07.2019	DMA/XRS	3.2-19.5-18-O
Issue	N/a	Released	Replaced by

Note! Additional options can affect weights and dimensions of some components.

This document is the absolute property of STEPHAN CraneSystems GmbH. This document must not be copied without the written permission of STEPHAN CraneSystems GmbH. The content of this document is the property of STEPHAN CraneSystems GmbH. The content of this document must not be disclosed to a third party nor be used for any unauthorized purpose. Contravention will be prosecuted.

3.2-19.5-18-O



REV	CHANGE DESCRIPTION	ECN	DATE	REVISED BY	APPROVED BY
-----	--------------------	-----	------	------------	-------------

This document is the absolute property of STEPHAN CraneSystems GmbH. This document must not be copied without the written permission of STEPHAN CraneSystems GmbH or its parent company STAHL CraneSystems GmbH. The contents thereof must be disclosed to a third party nor be used for any unauthorized purpose. Concomitantly will be prosecuted.

Approved: _____		Place _____		Date _____		Company (Company stamp) _____	
Customer _____							
	Free size tolerance		Quotation No.			Version DAS	
	Material		Order No.			NSL	
			Reproduction and transmission to third parties is not permitted			TCHAR	
			We reserve all rights under copyright for this drawing			Scale	
		STS3.2t x 19.5m Hol:18m			1:2.5		
Company: STEPHAN CraneSystems GmbH		Dated: _____		Name: _____		Copy to _____	
Drawn by: _____		31.07.2019		DMA/XRS			
Checked by: _____							
Issue _____		N/a		Released _____		Replaced by _____	

Note! Additional options can affect weights and dimensions of some components.