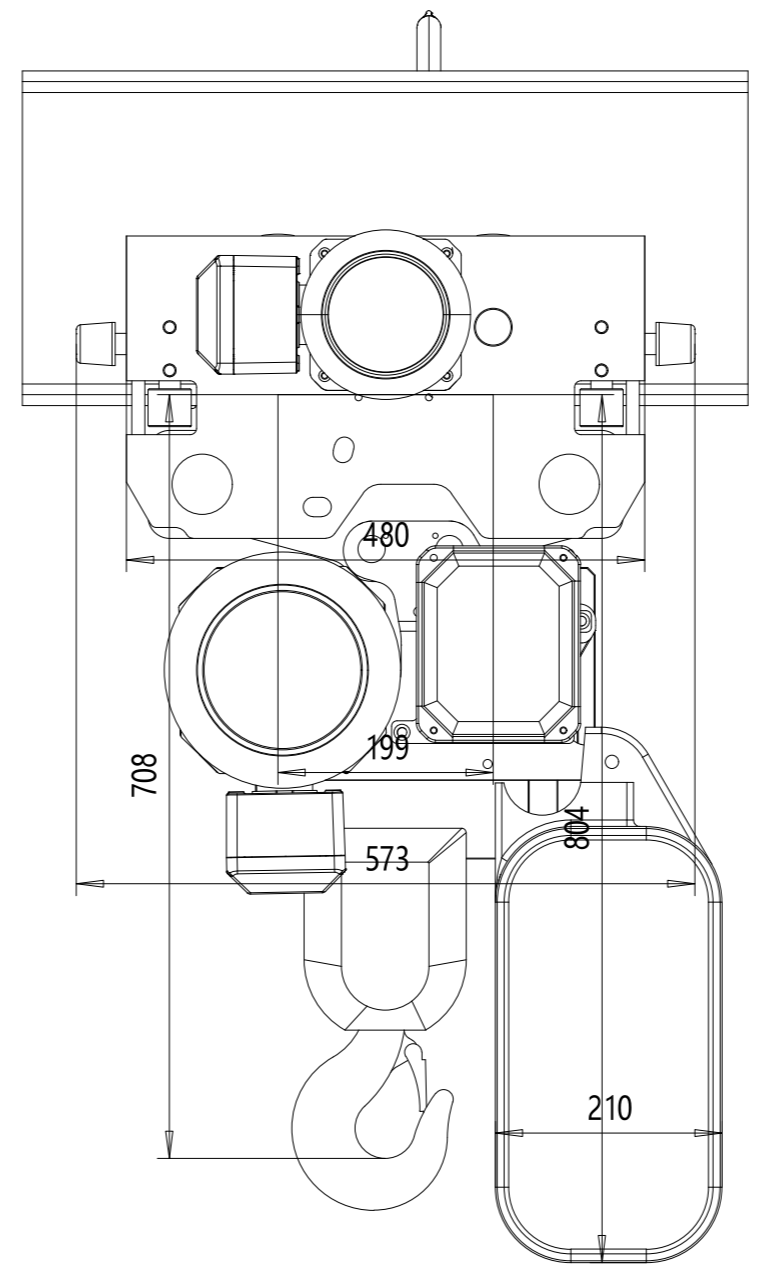
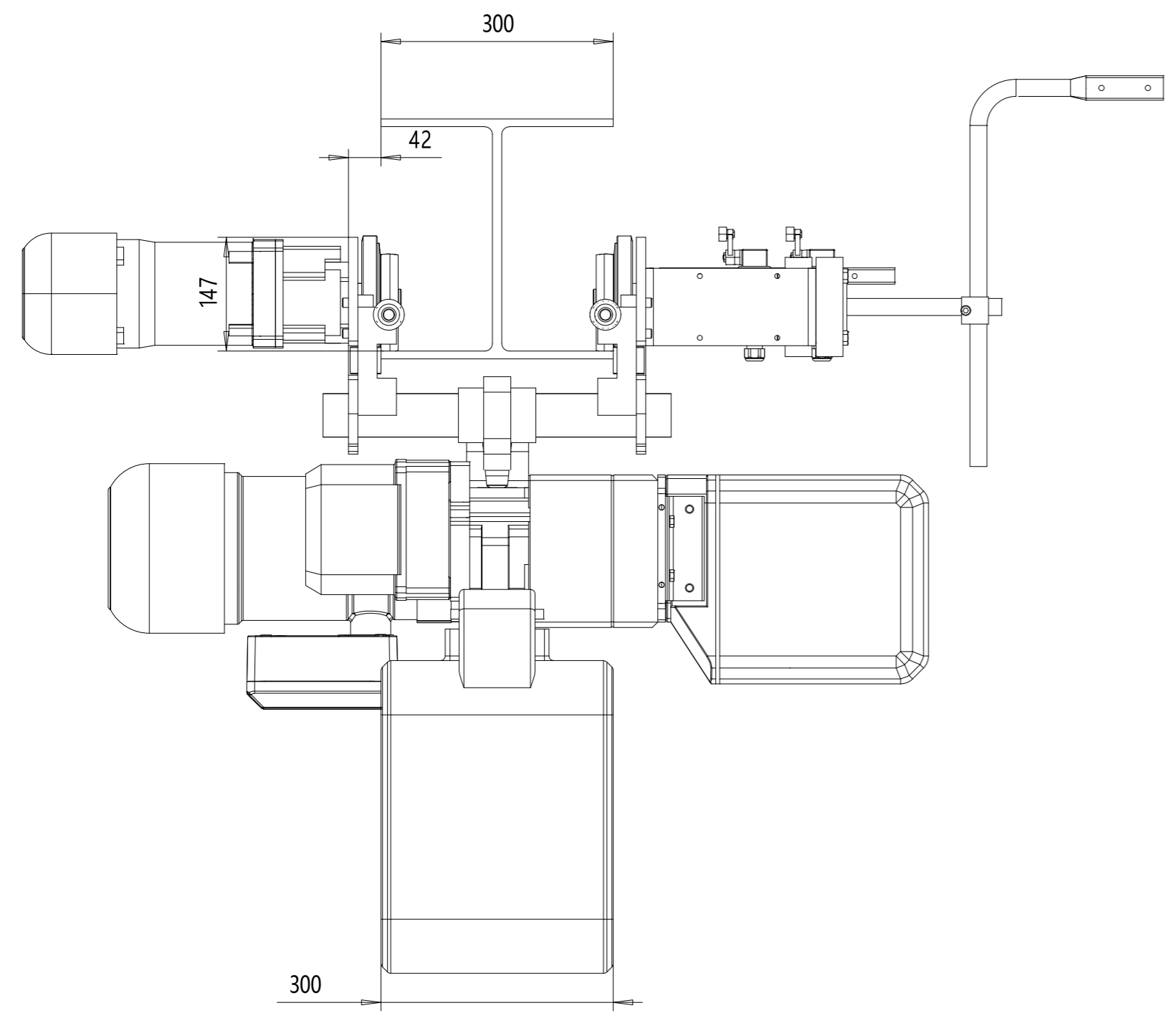


3.2-13.5-12-ex-OEx

REV	CHANGE DESCRIPTION	ECN	DATE	REVISED BY	APPROVED BY
-----	--------------------	-----	------	------------	-------------



Marking : Ex II 2G Ex de IIB T4 Gb/Ex II 2G ck IIB T4  
 Ambient temperature : -10°...40° C

TECHNICAL DATA	
LOAD	: 3200 kg
LIFTING HEIGHT	: 12 m
HOISTING SPEED	: 2/0,33 m/min 2-speed
TRAVERSING SPEED	: 20/5 m/min 2-speed pole change
WEIGHT OF HOIST	: 338 kg
HOIST GROUP	: 4,0 + 4,0 m (D_lin4) / ISO M5
MAIN / CONTROL VOLTAGE	: 380 / 48 V; 50 Hz

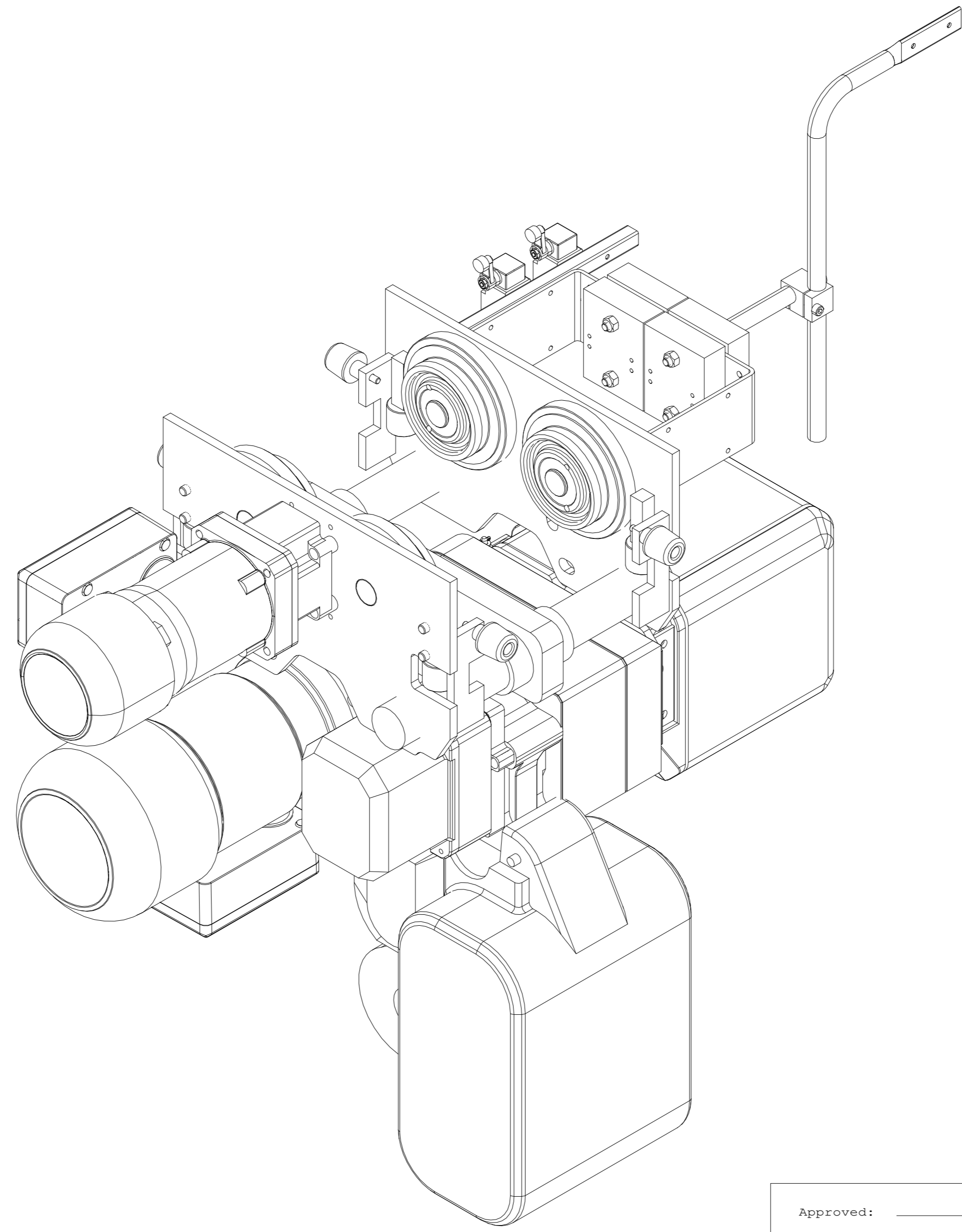
Approved: \_\_\_\_\_ Place \_\_\_\_\_ Date \_\_\_\_\_ Company (Company stamp) \_\_\_\_\_  
 Customer \_\_\_\_\_

	Free size tolerance	Quotation No.	Version DAS
	Material	Order No.	NSL
	Reproduction and transmission to third parties is not permitted We reserve all rights under copyright for this drawing STS EX 3.2t x 13.5m Hol:12m		TCHAR
Company: STEPHAN CraneSystems GmbH		Drawn by 08.07.2019 DMA/XRS Checked by _____ Released _____	Scale 1:7
Issue _____ N/a _____		Replaced by _____	Copy to _____

Note! Additional options can affect weights and dimensions of some components.

This document is the absolute property of STEPHAN CraneSystems GmbH. This document must not be copied without the written permission of STEPHAN CraneSystems GmbH. The contents thereof must not be disclosed to a third party nor be used for any unauthorized purpose. Contravention will be prosecuted.

3.2-13.5-12-ex-OEx



REV	CHANGE DESCRIPTION	ECN	DATE	REVISED BY	APPROVED BY
-----	--------------------	-----	------	------------	-------------

This document is the absolute property of STEPHAN CraneSystems GmbH. This document must not be copied without the written permission of STEPHAN CraneSystems GmbH or its parent company STAHL CraneSystems GmbH. The contents thereof must be disclosed to a third party nor be used for any unauthorized purpose. Concomitantly will be prosecuted.

Approved: _____		Place _____		Date _____		Company (Company stamp) _____	
Customer _____							
	Free size tolerance		Quotation No.			Version DAS	
	Material		Order No.			NSL	
			Reproduction and transmission to third parties is not permitted			TCHAR	
			We reserve all rights under copyright for this drawing			Scale	
		STS EX 3.2t x 13.5m Hol:12m			1:2.5		
Company: STEPHAN CraneSystems GmbH		Datum		Name		Copy to	
		Drawn by 08.07.2019		DMA/XRS		3.2-13.5-12-ex-OEx	
Issue		N/a		Released		Replaced by	

Note! Additional options can affect weights and dimensions of some components.