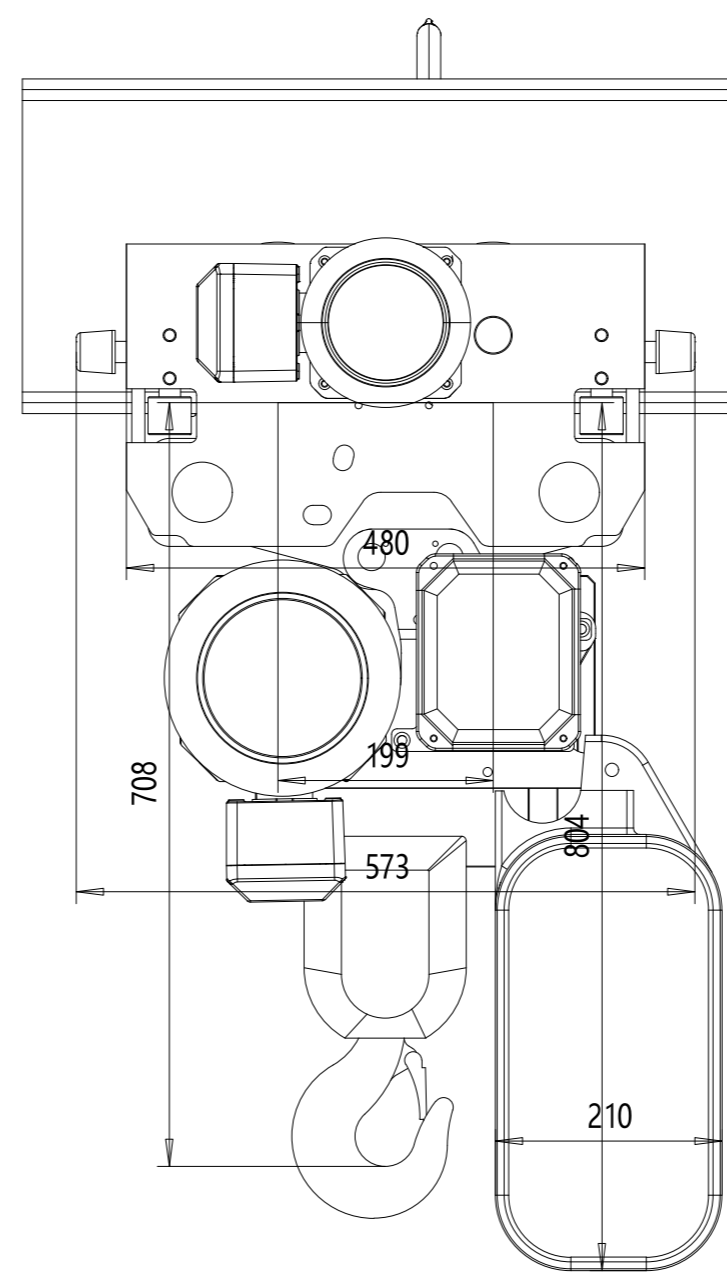
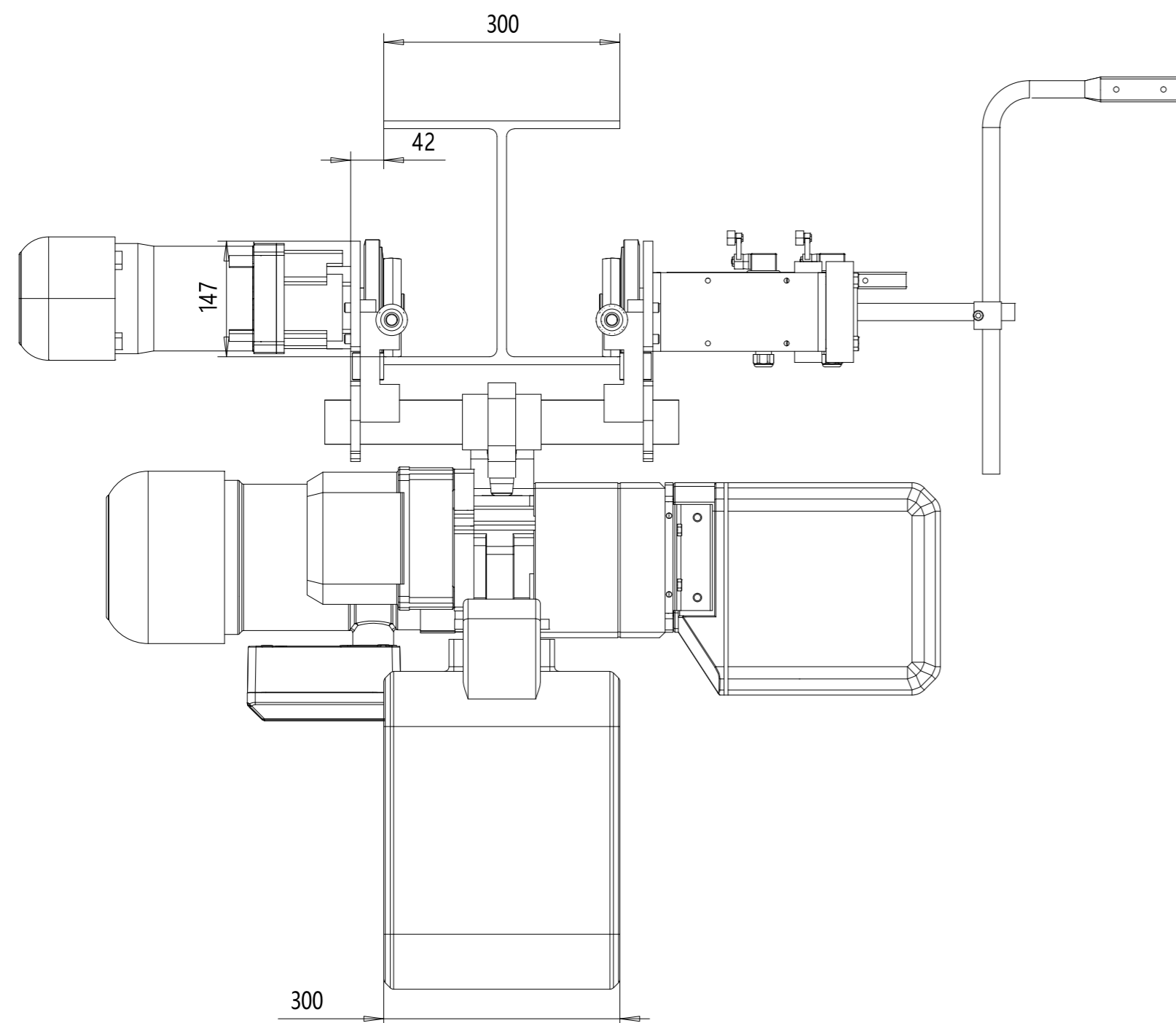


5-7.5-12-ex-OEx

REV	CHANGE DESCRIPTION	ECN	DATE	REVISED BY	APPROVED BY
-----	--------------------	-----	------	------------	-------------



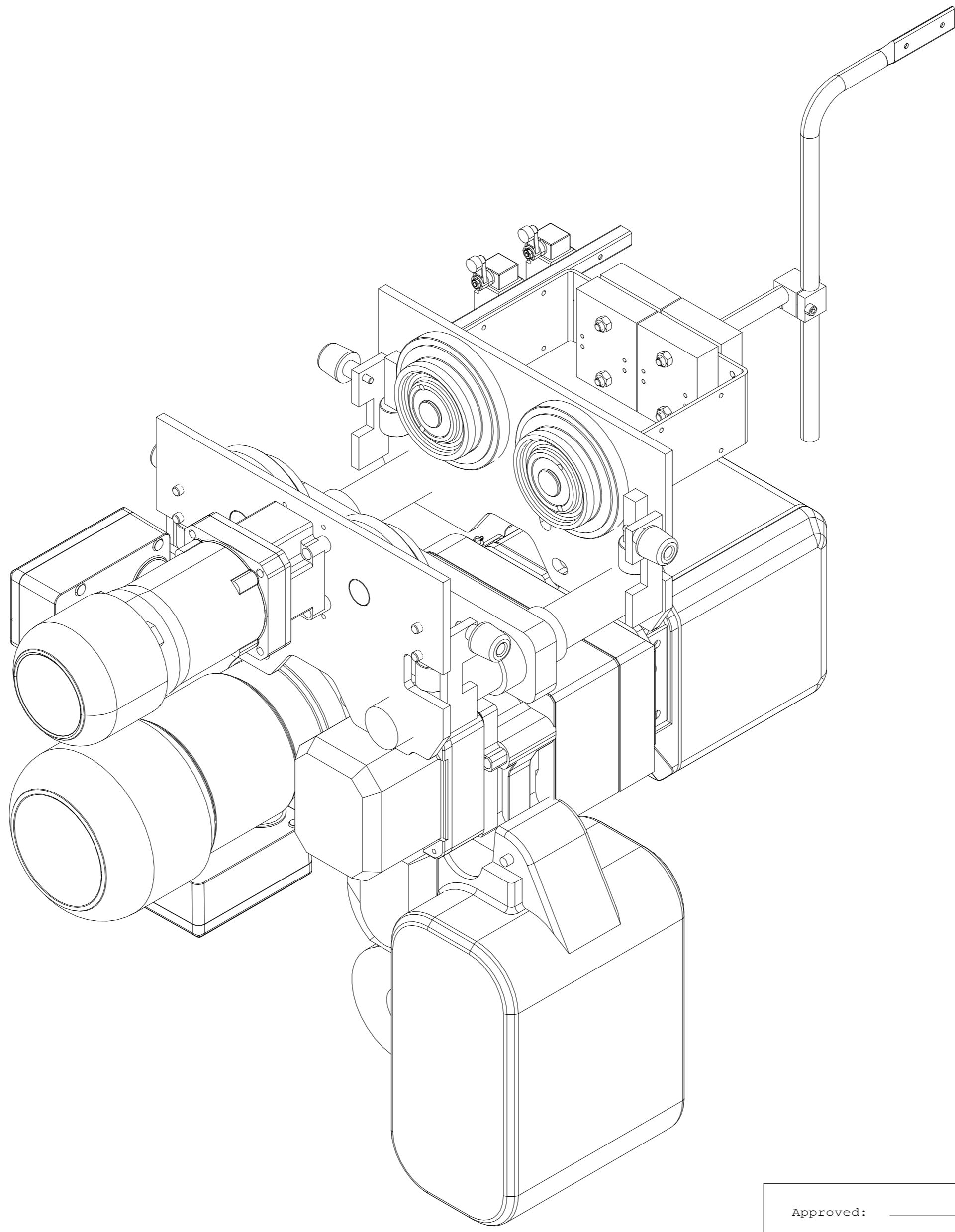
Marking : Ex II 2G Ex de IIB T4 Gb/Ex II 2G ck IIB T4  
 Ambient temperature : -10°...40° C

TECHNICAL DATA			
LOAD	: 5000 kg		
LIFTING HEIGHT	: 12 m		
HOISTING SPEED	: 2/0,33 m/min 2-speed		
TRAVERSING SPEED	: 20/5 m/min 2-speed pole change		
WEIGHT OF HOIST	: 338 kg		
HOIST GROUP	: 3,0 + 3,0 m (D_lin4) / ISO M4		
MAIN / CONTROL VOLTAGE	: 400 / 48 V; 50 Hz		
Approved: _____ Place _____ Date _____ Company (Company stamp) _____			
Customer _____			
	Free size tolerance	Quotation No.	Version DAS
	Material	Order No.	NSL
	Reproduction and transmission to third parties is not permitted We reserve all rights under copyright for this drawing		TCHAR
	STS EX 5t x 7.5m HoI:12m		Scale
error 13,5		1 : 7	
Company:	Datum	Name	Copy to
STEPHAN CraneSystems GmbH	25.07.2019	DMA/XRS	5-7.5-12-ex-OEx
Issue	N/a	Released	Replaced by

Note! Additional options can affect weights and dimensions of some components.

This document is the absolute property of STEPHAN CraneSystems GmbH. This document must not be copied without the written permission of STEPHAN CraneSystems GmbH. The content of this document is the property of STEPHAN CraneSystems GmbH. The content thereof must not be disclosed to a third party nor be used for any unauthorized purpose. Contravention will be prosecuted.

5-7.5-12-ex-OEx



REV	CHANGE DESCRIPTION	ECN	DATE	REVISED BY	APPROVED BY
-----	--------------------	-----	------	------------	-------------

This document is the absolute property of STEPHAN CraneSystems GmbH. This document must not be copied without the written permission of STEPHAN CraneSystems GmbH or its parent company STAHL CraneSystems GmbH. The contents thereof must be disclosed to a third party nor be used for any unauthorized purpose. Concomitant will be prosecuted.

Approved: _____		Place _____		Date _____		Company (Company stamp) _____	
Customer _____							
	Free size tolerance		Quotation No.			Version DAS	
	Material		Order No.			NSL	
			Reproduction and transmission to third parties is not permitted			TCHAR	
			We reserve all rights under copyright for this drawing			Scale	
		STS EX 5t x 7.5m Hol:12m			1:2.5		
		error 13,5			Copy to		
Company: STEPHAN CraneSystems GmbH		Datum	Name		5-7.5-12-ex-OEx		
Issue	N/a	Released	Replaced by				
Drawn by	25.07.2019	DMA/XRS					
Checked by							

Note! Additional options can affect weights and dimensions of some components.