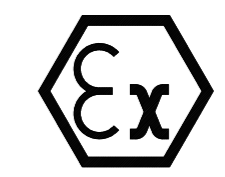
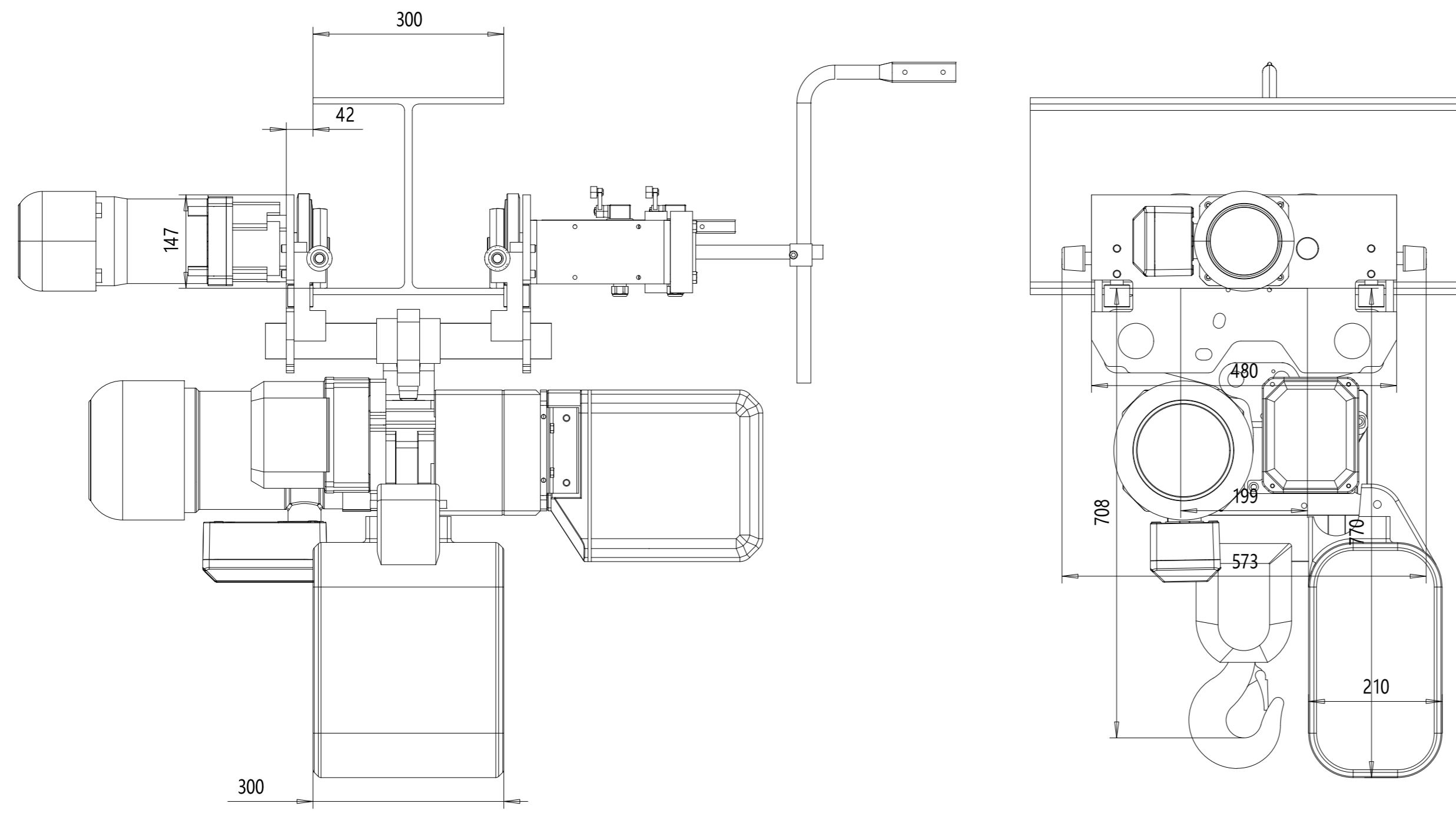


5-7.5-6-ex-OEx

REV	CHANGE DESCRIPTION	ECN	DATE	REVISED BY	APPROVED BY
-----	--------------------	-----	------	------------	-------------



Marking : Ex II 2G Ex de IIB T4 Gb/Ex II 2G ck IIB T4  
 Ambient temperature : -10°...40° C

**TECHNICAL DATA**

LOAD	: 5000 kg
LIFTING HEIGHT	: 6 m
HOISTING SPEED	: 2/0,33 m/min 2-speed
TRAVERSING SPEED	: 20/5 m/min 2-speed pole change
WEIGHT OF HOIST	: 304 kg
HOIST GROUP	: 3,0 + 3,0 m (D_lin4) / ISO M4
MAIN / CONTROL VOLTAGE	: 380 / 48 V; 50 Hz

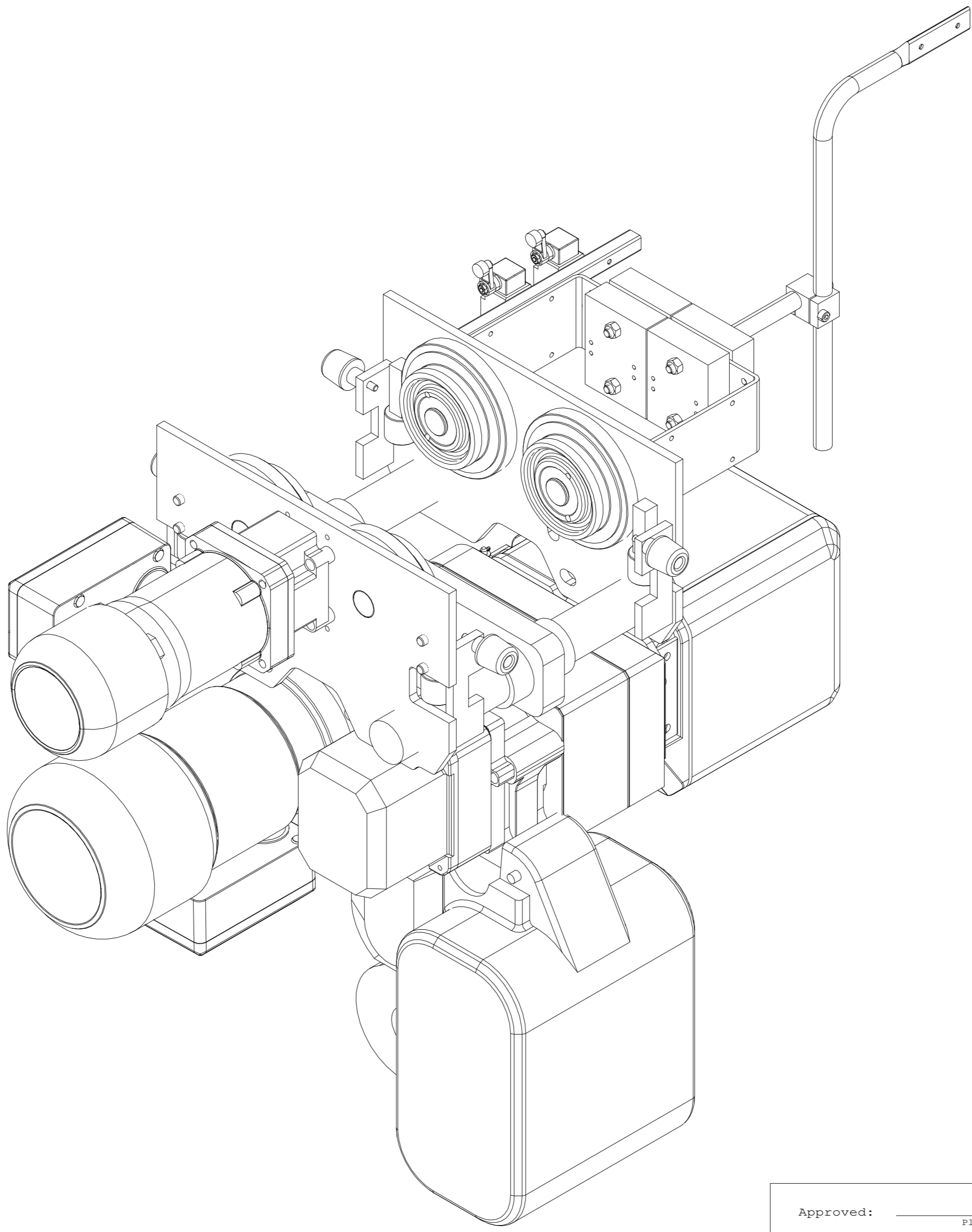
Approved: \_\_\_\_\_ Place \_\_\_\_\_ Date \_\_\_\_\_ Company (Company stamp)  
 Customer \_\_\_\_\_

	Free size tolerance	Quotation No.	Version DAS
	Material	Order No.	NSL
	Reproduction and transmission to third parties is not permitted We reserve all rights under copyright for this drawing		TCHAR
STS EX 5t x 7.5m HoI:6m		Scale	1:7
Company: STEPHAN CraneSystems GmbH		Copy to	
Drawn by: 08.07.2019 DMA/XRS Checked by: Issue: N/a Released:	5-7.5-6-ex-OEx		Replaced by

Note! Additional options can affect weights and dimensions of some components.

This document is the absolute property of STEPHAN CraneSystems GmbH. This document must not be copied  
 without the written permission of STEPHAN CraneSystems GmbH. The copyright for this drawing  
 remains the property of STEPHAN CraneSystems GmbH. The contents thereof must not be disclosed to a third party  
 for any unauthorized purpose. Contravention will be prosecuted.

5-7.5-6-ex-OEx



REV	CHANGE DESCRIPTION	ECN	DATE	REVISED BY	APPROVED BY
-----	--------------------	-----	------	------------	-------------

This document is the absolute property of STEPHAN CraneSystems GmbH. This document must not be copied without the written permission of STEPHAN CraneSystems GmbH or its parent company STAHL CraneSystems GmbH. The contents thereof must be disclosed to a third party nor be used for any unauthorized purpose. Concomitant will be prosecuted.

Approved: _____		Place _____		Date _____		Company (Company stamp)	
Customer _____							
	Free size tolerance		Quotation No.			Version DAS	
	Material		Order No.			NSL	
			Reproduction and transmission to third parties is not permitted			TCHAR	
			We reserve all rights under copyright for this drawing			Scale	
		STS EX 5t x 7.5m Hol:6m			1:2.5		
Company: STEPHAN CraneSystems GmbH		Datum	Name	5-7.5-6-ex-OEx			Copy to
Issue	N/a	Released		Replaced by			

Note! Additional options can affect weights and dimensions of some components.