

TECHNICAL DATA	
LOAD	: 5000 kg
LIFTING HEIGHT	: 18 m
HOISTING SPEED	: 3,2/0,8 m/min 2-speed
TRAVERSING SPEED	: 20/5 m/min 2-speed pole change
WEIGHT OF HOIST	: 289 kg
HOIST GROUP	: 4,0 + 4,0 m (D_lin4) / ISO M4
MAIN / CONTROL VOLTAGE	: 380 / 48 V; 50 Hz

Approved: \_\_\_\_\_ Place \_\_\_\_\_ Date \_\_\_\_\_ Company (Company stamp) \_\_\_\_\_  
 Customer \_\_\_\_\_

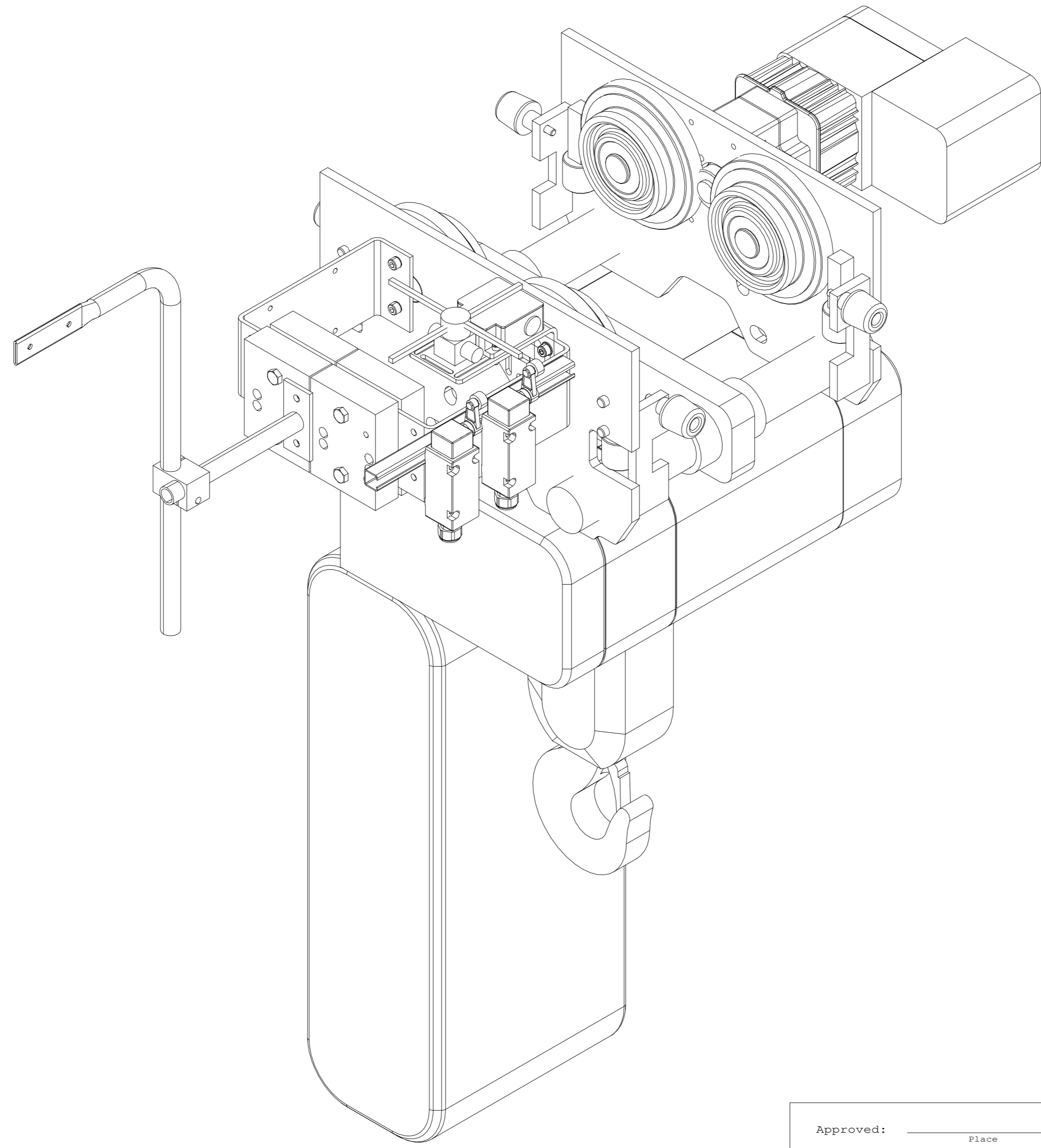
	Free size tolerance	Quotation No.	Version DAS
	Material	Order No.	NSL
	Reproduction and transmission to third parties is not permitted We reserve all rights under copyright for this drawing		TCHAR
		STS5t x 19.5m Hol:18m	Scale
			1:7
Company: STEPHAN CraneSystems GmbH		Copy to	
Drawn by	Datum	Name	
31.07.2019		DMA/XRS	
Checked by			
Released			
Issue	N/a	Replaced by	

Note! Additional options can affect weights and dimensions of some components.

This document is the absolute property of STEPHAN CraneSystems GmbH. This document must not be copied without the written permission of STEPHAN CraneSystems GmbH. The content thereof must not be disclosed to a third party nor be used for any unauthorized purpose. Contravention will be prosecuted.

REV	CHANGE DESCRIPTION	ECN	DATE	REVISED BY	APPROVED BY
-----	--------------------	-----	------	------------	-------------

5-19.5-18-O



B

C

D

E

F

G

H

This document is the absolute property of STEPHAN CraneSystems GmbH. This document must not be copied without the written permission of STEPHAN CraneSystems GmbH or its parent company STAHL CraneSystems GmbH. The contents thereof must not be disclosed to a third party nor be used for any unauthorized purpose. Concomitant will be prosecuted.

Approved: _____		Place _____		Date _____		Company (Company stamp) _____	
Customer _____							
	Free size tolerance		Quotation No.			Version DAS	
	Material		Order No.			NSL	
			Reproduction and transmission to third parties is not permitted			TCHAR	
			We reserve all rights under copyright for this drawing			Scale	
		STS5t x 19.5m Hol:18m			1:2.5		
Company: STEPHAN CraneSystems GmbH		Datum	Name	5-19.5-18-O			Copy to
Issue	N/a	Released					
				Replaced by			

Note! Additional options can affect weights and dimensions of some components.